

# MICRO SWITCH

FREERPORT ILLINOIS, U.S.A  
A DIVISION OF HONEYWELL  
FED. MFG. CODE 91929

## SWITCH - BASIC

CATALOG LISTING  
**BZ-7R331**  
AGZ0831

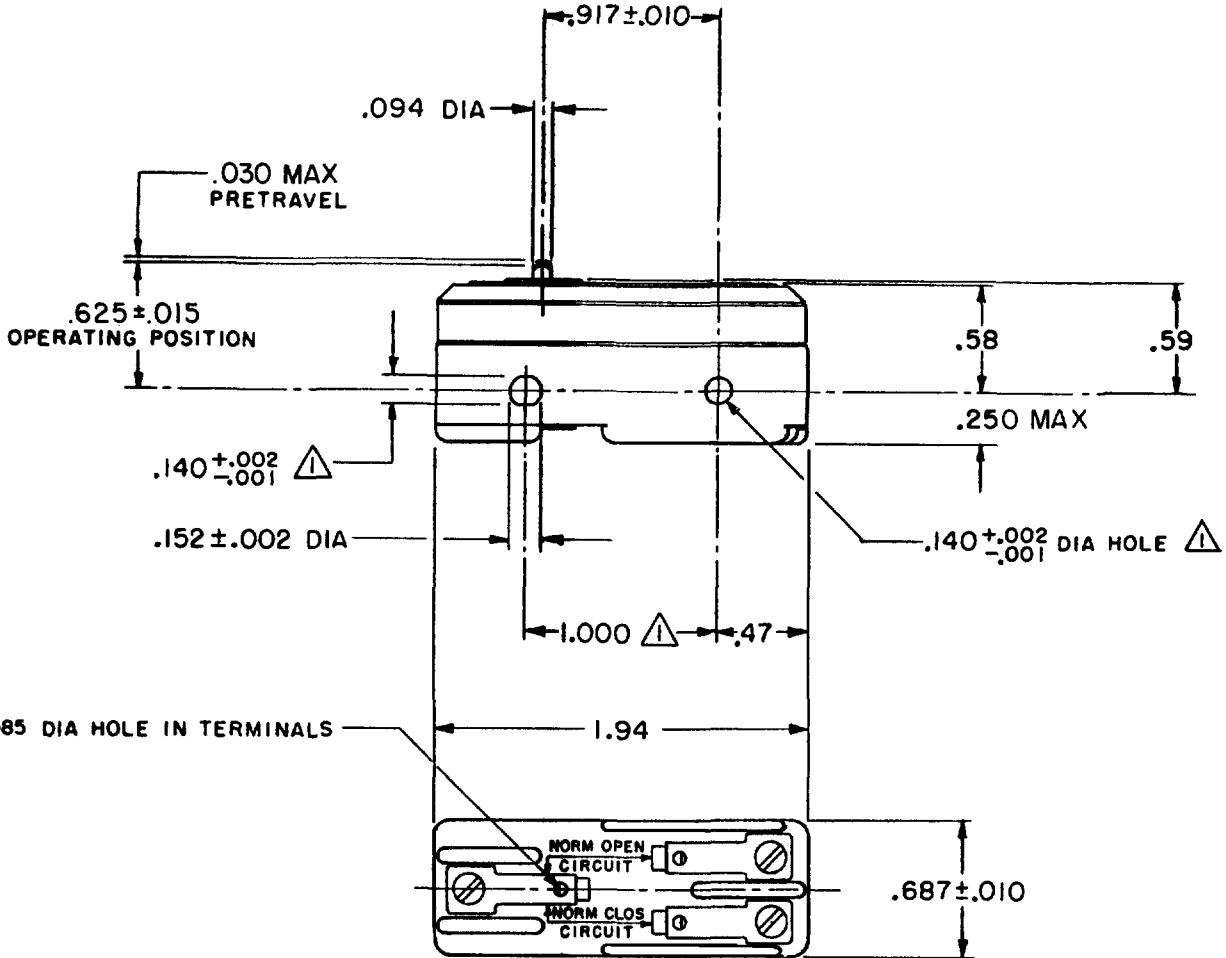
**BZ-7R331**  
PAGE 1 OF 1

**M**

DRAWING NUMBER

ISSUE  
7

REPLACES  
RELEASE NO. PR-13196



NOTE  
△ MOUNTING HOLES WILL ACCEPT PINS OR SCREWS OF .139 MAX DIA ON 1.000±.002 CENTERS

REVISIONS

A	CO 58037	SMA	1 OCT 85
B	OBS C075862	CSL	20 JUL 93
C	REINST PR22798	JAK	19 JUN 97
D	C093346	DLT	1 SEP 98
E	CO-94212-C	DLT	15 SEP 99
F	0018448	DVM	17 FEB 06

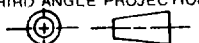
CHECK 17 FEB 06  
CHECK RJ 17 FEB 84  
CHECK KAG 12 JULY 84  
CHECK 12 JUL 84

FORMTEK

DRAWN

THIS DRAWING COVERS A PROPRIETARY ITEM AND IS THE PROPERTY OF MICRO SWITCH, A DIVISION OF HONEYWELL. THIS DRAWING IS NOT TO BE COPIED OR USED WITHOUT THE APPROVAL OF MICRO SWITCH.

THIRD ANGLE PROJECTION



**CHARACTERISTICS**

OPERATING FORCE ----- 22-28 OZ  
RELEASE FORCE ----- 4 OZ MIN  
DIFFERENTIAL TRAVEL----- .0025-.0050  
OVERTRAVEL----- .005 MIN

**ELECTRICAL DATA**

CONTACT ARRANGEMENT  
S P D T

L74  
15A 125, 250, OR 480VAC 2A 600 VAC  
1/8 HP 125 VAC, 1/4 HP 250 VAC  
1/2A 125 VDC, 1/4A 250 VDC

L288  
L315  
L306

CE 05   
16A 250V ~ T85 5E4

**SCALE FULL**

DO NOT SCALE PRINT

**TOLERANCES**  
APPLY TO DESIGN UNITS. CONVERSIONS ARE ONLY FOR REFERENCE. UNLESS NOTED, TOLERANCES ARE ±

DIM.	TOL.	DIM.	TOL.
mm	mm/in	in	mm/in
NO PLACES	X	1/.04	
ONE PLACE	X,X	0.4/.018	X X 0.0103
TWO PLACES	X,XX	0.15/.006	X XX 0.38/.015
THREE PLACES	X,XXX		X XXX 0.13/.005

SI METRIC  US CUSTOMARY

DESIGN UNITS

WEIGHT .050 LB