

# MICRO SWITCH

FREEPORT ILLINOIS U S A  
A DIVISION OF HONEYWELL INC  
FED. MFG CODE 91929

## SWITCH - BASIC

CATALOG LISTING

### BZ-7R336T

REPLACES X 85394-RZ

BZ-7R336T

**M**

DRAWING NUMBER

**X**

ISSUE

34

RELEASE NO. PR - 15400

CHECK

REVISIONS

<b>A</b>	C065429
J A P	4 APR 90
<b>B</b>	CO-89351-D
J W B	18 JUL 91
<b>C</b>	C0081883
J J A	27 OCT 95

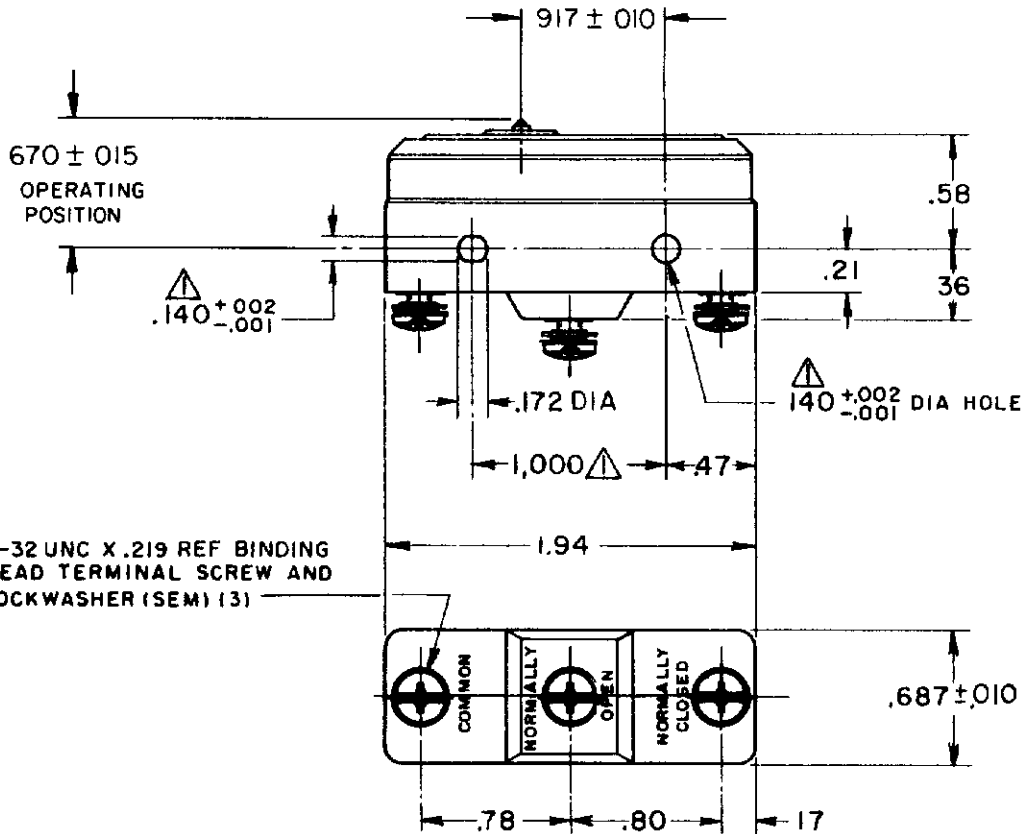
CHECK

27 FEB 87

27 FEB 87

27 FEB 87

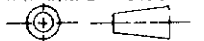
DRAWN



NOTE -  
 ⚠ - MOUNTING HOLES WILL ACCEPT PINS OR SCREWS OF .139 MAX DIA ON 1.000 ± .002 CENTERS.

THIS DRAWING COVERS A PROPRIETARY ITEM AND IS THE PROPERTY OF MICRO SWITCH, A DIVISION OF HONEYWELL. THIS DRAWING IS NOT TO BE COPIED OR USED WITHOUT THE APPROVAL OF MICRO SWITCH

THIRD ANGLE PROJECTION



#### CHARACTERISTICS

OPERATING FORCE ——— 90 OZ MAX  
 RELEASE FORCE ——— 7 OZ MIN  
 DIFFERENTIAL TRAVEL — .004 - .009  
 OVERTRAVEL ——— .005 MIN

#### ELECTRICAL DATA

CONTACT ARRANGEMENT  
 S P D T

#### SCALE FULL

DO NOT SCALE PRINT

UNLESS OTHERWISE SPECIFIED TOLERANCES ARE

ONE PLACE (.0) ± .030  
 TWO PLACE (.00) ± .015  
 THREE PLACE (.000) ± .005  
 ANGLES ±

WEIGHT .063 LB

FO-52848-B