



MICRO SWITCH

FREEPORT, ILLINOIS, U.S.A.
A DIVISION OF HONEYWELL

FED. MFG. CODE 91929

SWITCH - BASIC

CATALOG LISTING

BZ-7RLT711

FOR FACTORY USE ONLY

CATALOG LISTING
BZ-7RLT711
 PAGE 1 OF 1

REPLACES

RELEASE NO.

CHECK

REVISIONS

A	CO17410	GCH	7 OCT 63
B	C035664	DJW	14 JUL 73
C	CO-59351-D	JWB	18 JUL 91
D	CO-77589	KDR	29 MAR 94
E	C093346	DLT	9 SEP 98
F	202681	CSL	27 MAR 01

CHECK

15 OCT '63

DRAWN

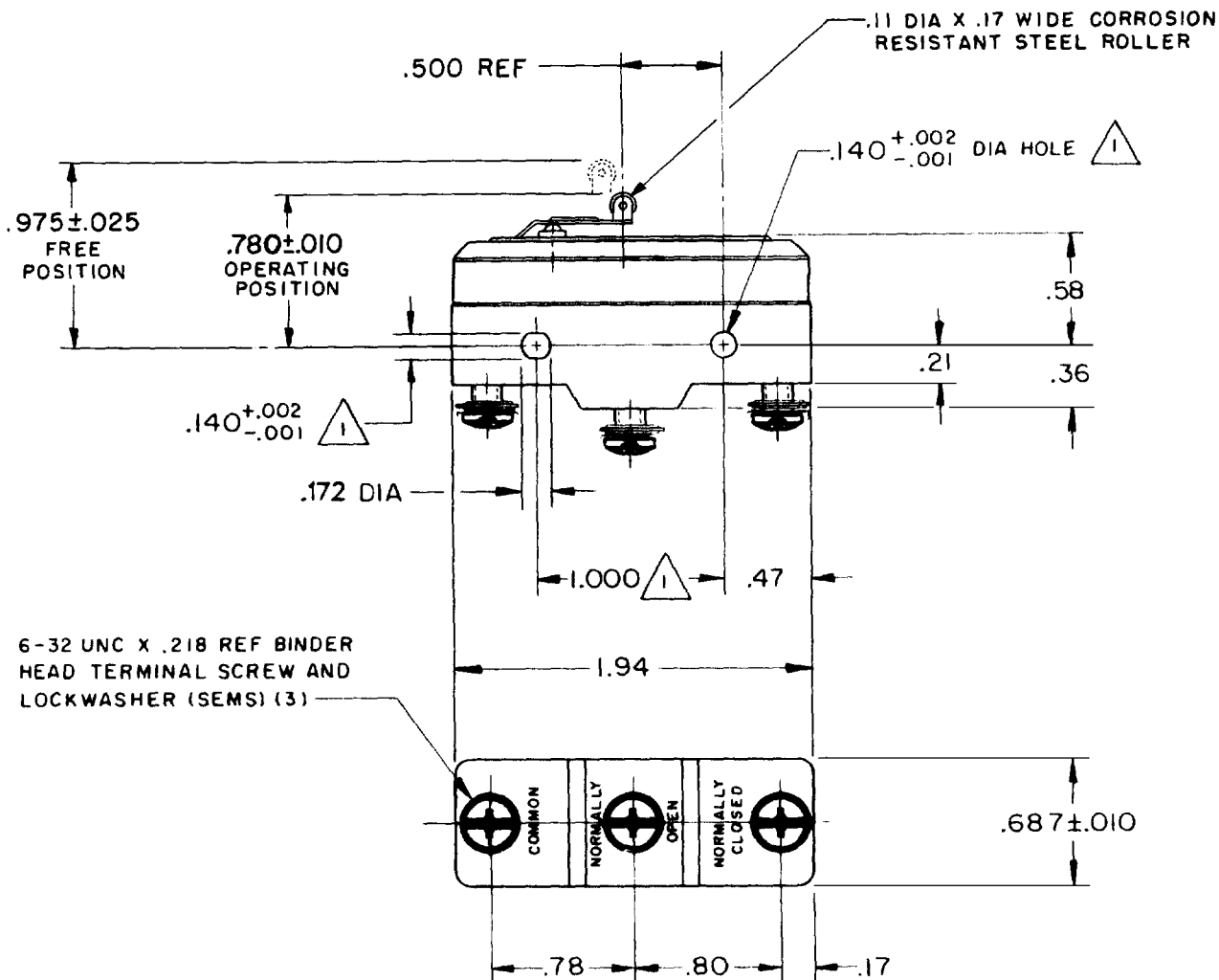
7 OCT 63

RASTER

FO-50376

DRAWN

GCH



THIS DRAWING COVERS A PROPRIETARY ITEM AND IS THE PROPERTY OF MICRO SWITCH, A DIVISION OF MINNEAPOLIS-HONEYWELL REGULATOR CO. THIS DRAWING IS NOT TO BE COPIED OR USED WITHOUT THE APPROVAL OF MICRO SWITCH.

CHARACTERISTICS

ELECTRICAL DATA

SCALE FULL

CONTACT ARRANGEMENT
S P D T

DO NOT SCALE PRINT

L96 15A 125, 250 OR 480 VAC
 1/8HP 125 VAC, 1/4HP 250 VAC
 1/2A 125 VDC, 1/4A 250 VDC

UNLESS OTHERWISE NOTED
 DIMENSIONS ARE IN INCHES
TOLERANCES ARE:
 ONE PLACE (.0) ±.030
 TWO PLACE (.00) ±.015
 THREE PLACE (.000) ±.005
 ANGLES ±

L288
L299
L306



16A 250V ~ T85 5E4

WEIGHT .063 LB