

MICRO SWITCH

FREERPORT ILLINOIS, U.S.A
A DIVISION OF HONEYWELL
FED. MFG. CODE 91929

SWITCH - BASIC

CATALOG LISTING

BZ-7R-P5

BZ-7R-P5

M

DRAWING NUMBER

6

ISSUE

REPLACES

RELEASE NO. PR-16361

CHECK

REVISIONS

A	CO-71368	7 JAN 92
B	CO-73267-G	20 OCT 93
C	CO-75367B	3 MAR 94
D	CO-77863	2 MAY 96
E	CO93346	2 SEP 98

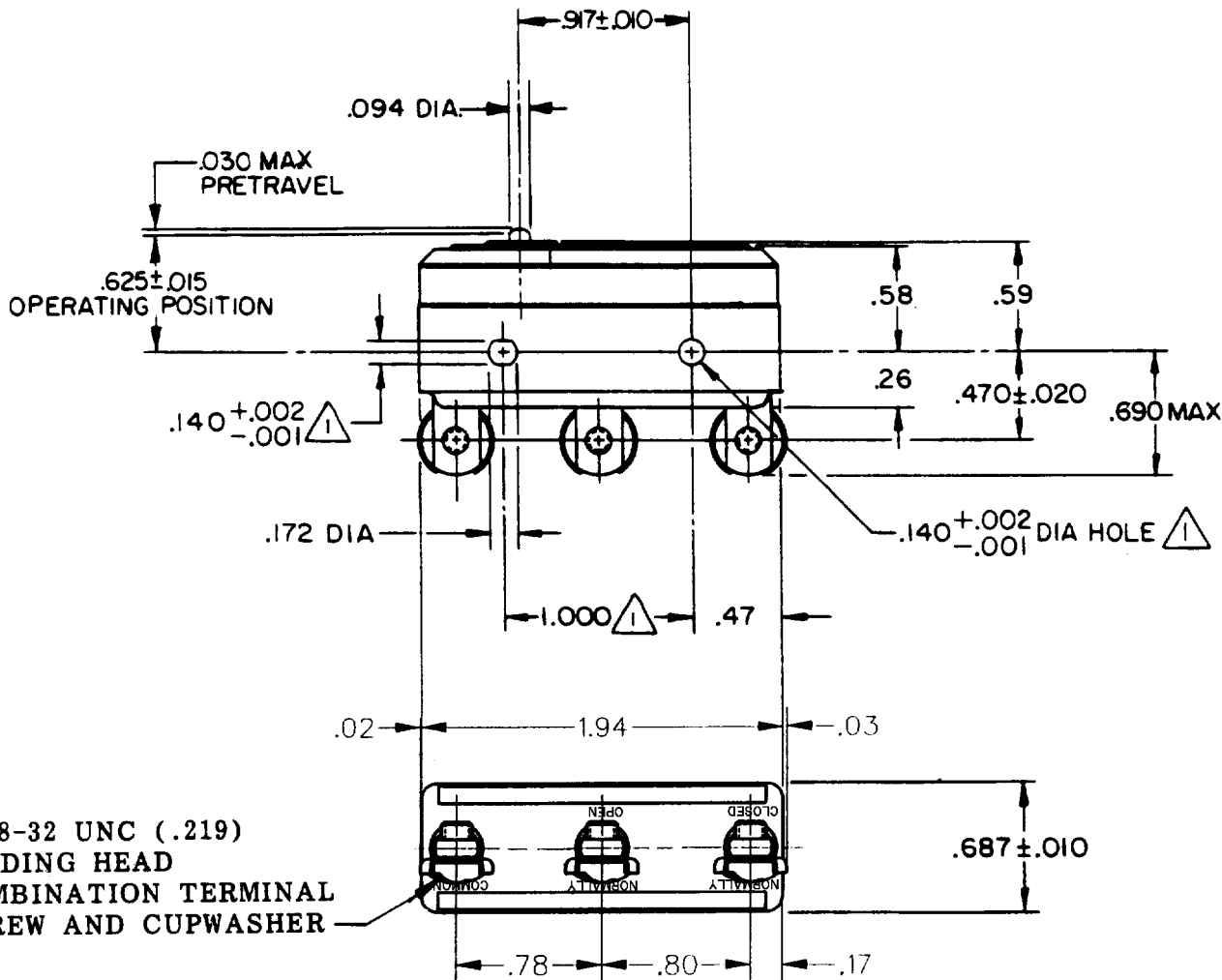
CHECK

18 APR 88

CHECK JAP

CHECK JAP

15 APR 88

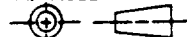


3X 8-32 UNC (.219)
BINDING HEAD
COMBINATION TERMINAL
SCREW AND CUPWASHER

NOTE 1 MOUNTING HOLES WILL ACCEPT PINS OR SCREWS OF .139 MAX DIA ON 1.000±.002 CENTERS

THIS DRAWING COVERS A PROPRIETARY ITEM AND IS THE PROPERTY OF MICRO SWITCH, A DIVISION OF HONEYWELL. THIS DRAWING IS NOT TO BE COPIED OR USED WITHOUT THE APPROVAL OF MICRO SWITCH.

THIRD ANGLE PROJECTION



CHARACTERISTICS

OPERATING FORCE----- 22-28 OZ
RELEASE FORCE----- 4 OZ MIN
DIFFERENTIAL TRAVEL--- .0025-.0050
OVERTRAVEL----- .005 MIN

ELECTRICAL DATA

CONTACT ARRANGEMENT
S P D T
L74 15A 125, 250, OR 480VAC 2A 600 VAC
1/8 HP 125 VAC, 1/4 HP 250 VAC
1/2A 125 VDC, 1/4A 250 VDC

L288
L299
L306



16A 250V ~ T85 5E4

SCALE FULL

DO NOT SCALE PRINT

TOLERANCES
APPLY TO DESIGN UNITS. CONVERSIONS ARE ONLY FOR REFERENCE. UNLESS NOTED, TOLERANCES ARE ±

	DES. UNITS	TOL. mm/in	DES. UNITS	TOL. mm/in
NO PLACES	X	1/64	X, X	0.01/0.02
ONE PLACE	X, X	0.01/0.10	X, X	0.007/0.015
TWO PLACES	X, XX	0.001/0.005	X, XX	0.001/0.005
THREE PLACES	X, XXX		X, XXX	

DESIGN UNITS METRIC US CUSTOMARY

WEIGHT .050 LB

FORMTEK

FD-52848-A

DRAWN

TLB 15 APR 88