



**MICRO SWITCH**  
 FREEPORT, ILLINOIS, U.S.A.  
 A DIVISION OF HONEYWELL  
 FED. MFG. CODE 91829

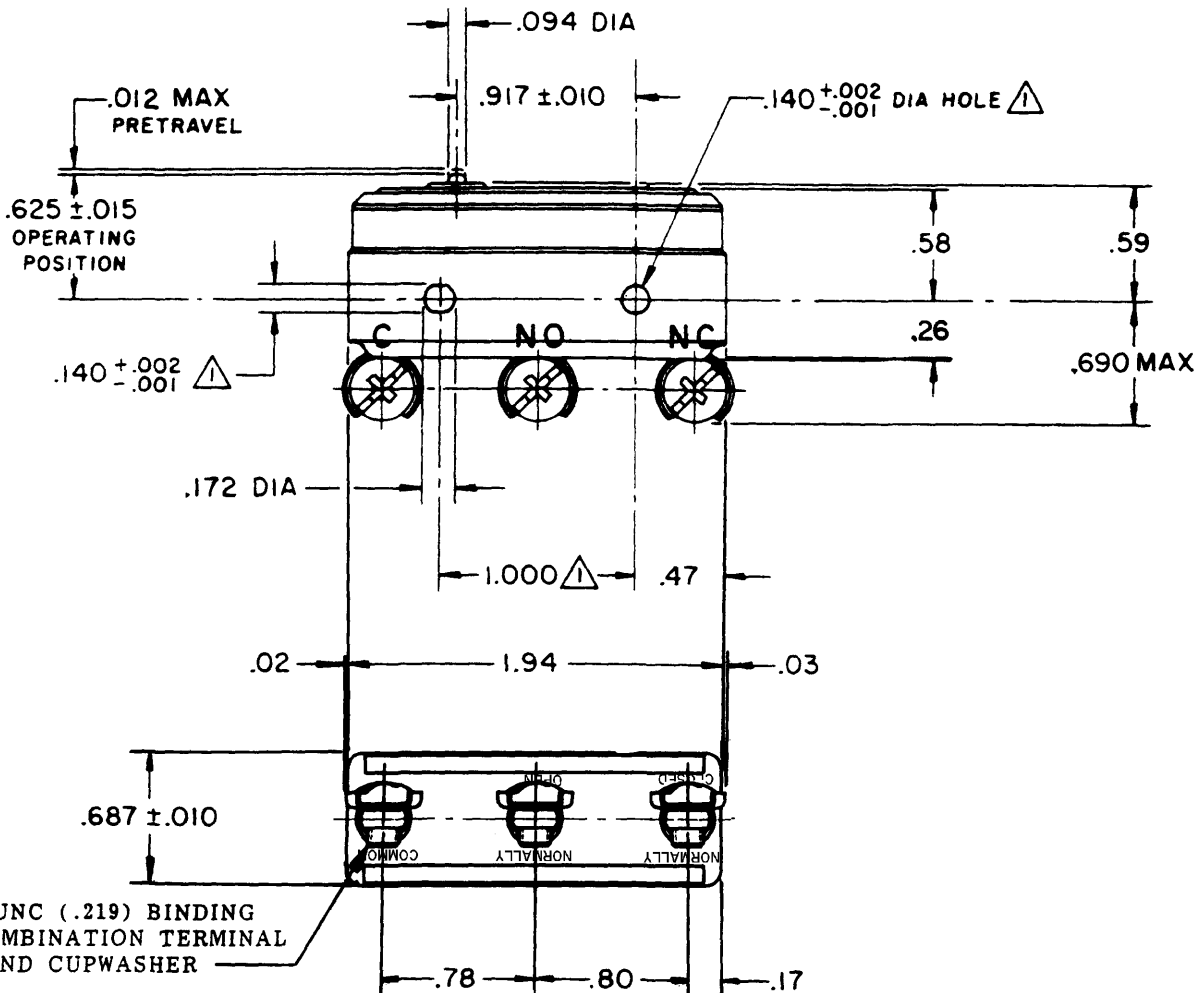
# SWITCH-BASIC

CATALOG LISTING

**BZ-R173-P4**

X28854  
 ISSUE 2

CATALOG LISTING  
**BZ-R173-P4**  
 PAGE 1 OF 1  
 RELEASE NO. SR 12358  
 REPLACES  
**M**  
 ISSUE 9



3X 8-32 UNC (.219) BINDING HEAD COMBINATION TERMINAL SCREW AND CUPWASHER

NOTE -  
 ▲ MOUNTING HOLES WILL ACCEPT PINS OR SCREWS OF .139 MAX DIA ON 1.000 ±.002 CENTERS

REVISIONS	
A	SR12358
B	RER JUN 66
C	CO22797
D	SD 27 APR 67
E	CO22889
F	M B F 16 MAY 67
G	CO 34775
H	GLH 10 FEB 75
I	CO 73287-G
J	JAL 20 OCT 93
K	CO 75367B
L	K D R 3 MAR 94
M	CO 77863
N	G J W 1 MAY 96
O	203222
P	C S T 5 JUN 01

THIS DRAWING COVERS A PROPRIETARY ITEM AND IS THE PROPERTY OF MICRO SWITCH, A DIVISION OF MINNEAPOLIS-HONEYWELL REGULATOR CO. THIS DRAWING IS NOT TO BE COPIED OR USED WITHOUT THE APPROVAL OF MICRO SWITCH.

CHARACTERISTICS	ELECTRICAL DATA	SCALE FULL
OPERATING FORCE — — — — 7 - 10 OZ	CONTACT ARRANGEMENT S P D T	DO NOT SCALE PRINT
DIFFERENTIAL FORCE — — 1/2 - 1 1/4 OZ	L111 15A 125, 250 OR 277 VAC 1/8HP 125 VAC, 1/4HP 250 VAC	UNLESS OTHERWISE NOTED DIMENSIONS ARE IN INCHES
DIFFERENTIAL TRAVEL — — — .0005 MAX	CE	<b>TOLERANCES ARE:</b>
OVERTRAVEL — — — .005 MIN	L288 L299 L306	ONE PLACE (.0) ±.030 TWO PLACE (.00) ±.018 THREE PLACE (.000) ±.008 ANGLES ±
	16A 250V  5E4	WEIGHT .074 LB

RASTER

FO-80376

DRAWN

RER 9 MAY 66

CHECK

GCH

CHECK

CHECK

CHECK



**MICRO SWITCH**  
 FREEPORT, ILLINOIS, U.S.A.  
 A DIVISION OF HONEYWELL

FED. MFG. CODE 91889

# SWITCH-BASIC

CATALOG LISTING

**BZ-R173-P4**

X28854  
 ISSUE 2

**BZ-R173-P4**

**M**

DRAWING  
 NUMBER

8

ISSUE

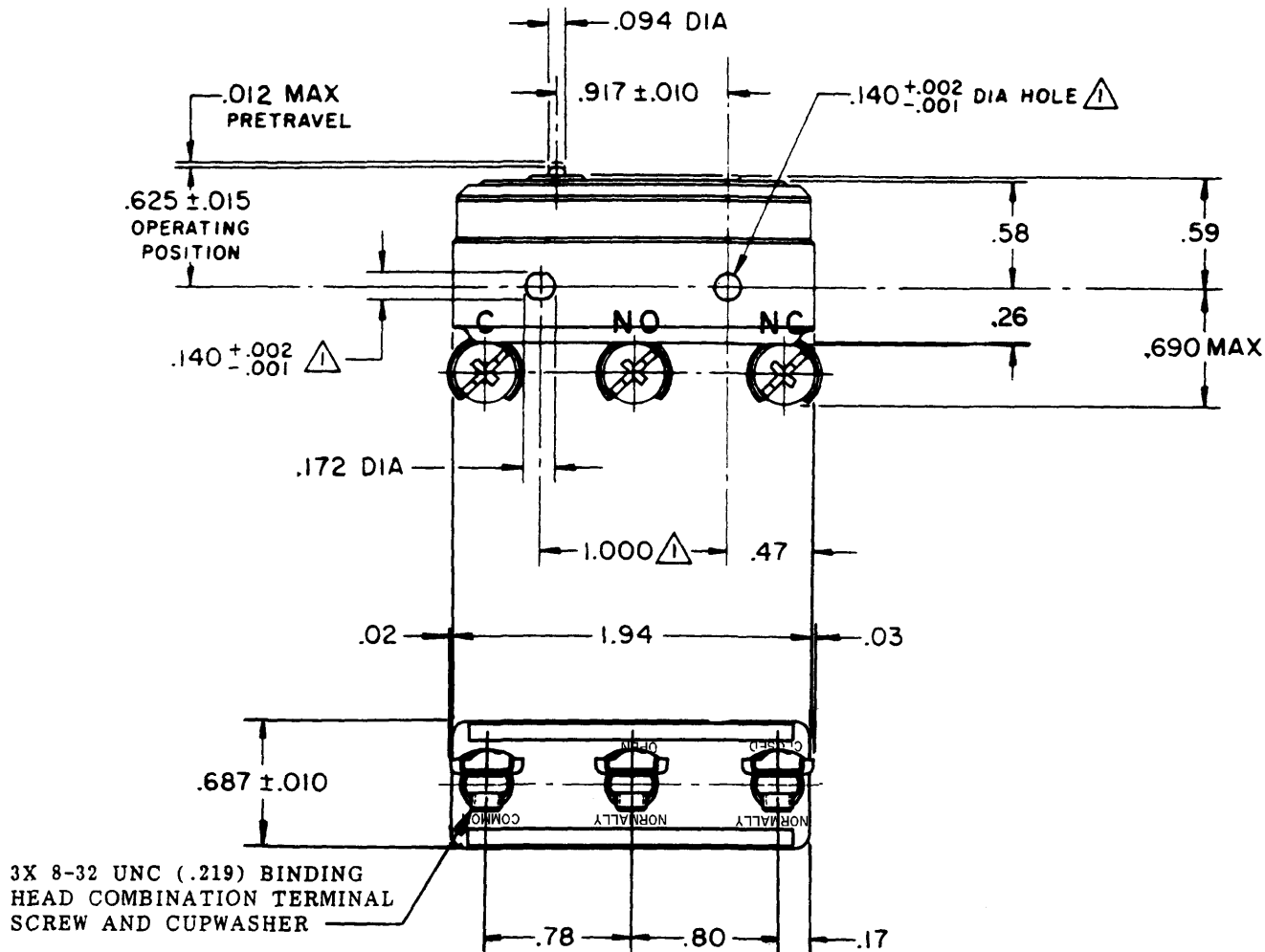
REPLACES

RELEASE NO. SR 12358

CHECK

**REVISIONS**

A	SR12358	
10	RER	JUN 66
B	CO22797	
27	SD	APR 67
C	CO22889	
16	NBF	MAY 67
D	CO 34775	
10	GLH	FEB 75
E	CO 73287-G	
20	JAL	OCT 83
F	CO 75367B	
3	KDR	MAR 94
G	CO 77863	
1	GJW	MAY 96



NOTE -  
 ▲ MOUNTING HOLES WILL ACCEPT PINS OR SCREWS  
 OF .139 MAX DIA ON 1.000 ±.002 CENTERS

THIS DRAWING COVERS A PROPRIETARY ITEM AND IS THE PROPERTY OF MICRO SWITCH, A DIVISION OF MINNEAPOLIS-HONEYWELL REGULATOR CO. THIS DRAWING IS NOT TO BE COPIED OR USED WITHOUT THE APPROVAL OF MICRO SWITCH.

CHARACTERISTICS	ELECTRICAL DATA	SCALE FULL
OPERATING FORCE — — — — 7 - 10 OZ	CONTACT ARRANGEMENT S P D T	DO NOT SCALE PRINT
DIFFERENTIAL FORCE — — 1/2 - 1 1/4 OZ		UNLESS OTHERWISE NOTED
DIFFERENTIAL TRAVEL — — — .0005 MAX	UL LISTED - FILE E12252 CODE L111 15A-125, 250 OR 277 VAC 1/8HP-125 VAC; 1/4HP-250 VAC	DIMENSIONS ARE IN INCHES
OVERTRAVEL — — — — .005 MIN		<b>TOLERANCES ARE:</b>
		ONE PLACE (.6) ±.030
		TWO PLACE (.00) ±.015
		THREE PLACE (.000) ±.008
		ANGLES ±
		WEIGHT .074 LB

FORMTEK

FO-80378

DRAWN

RER 9 MAY 66

CHECK

GCH

CHECK

CHECK