



MICRO SWITCH

FREEPORT, ILLINOIS, U.S.A.
A DIVISION OF HONEYWELL

FED. MFG. CODE 91929

SWITCH - BASIC

CATALOG LISTING

BZ-RS

DRAWING NUMBER
BZ - RS

PAGE 1 OF 1

ISSUE
M
17

REVISIONS

A	CO 15200	RES	4 JUNE 64
B	CO23645	ORD	22 JAN 68
C	CO44156	SJS	20 APR 78
D	CO46304	J A P	12 OCT 79
E	CO54735	OBS	21 MAR 84
F	CO54735	REINST	27 APR 84
G	CO 58037	SMA	1 OCT 85
H	CO 78874	DLT	18 NOV 94
J	CO-94212-J	JJA	5 OCT 99

FORMTEK
FO-90378

REPLACES

RELEASE NO.

CHECK

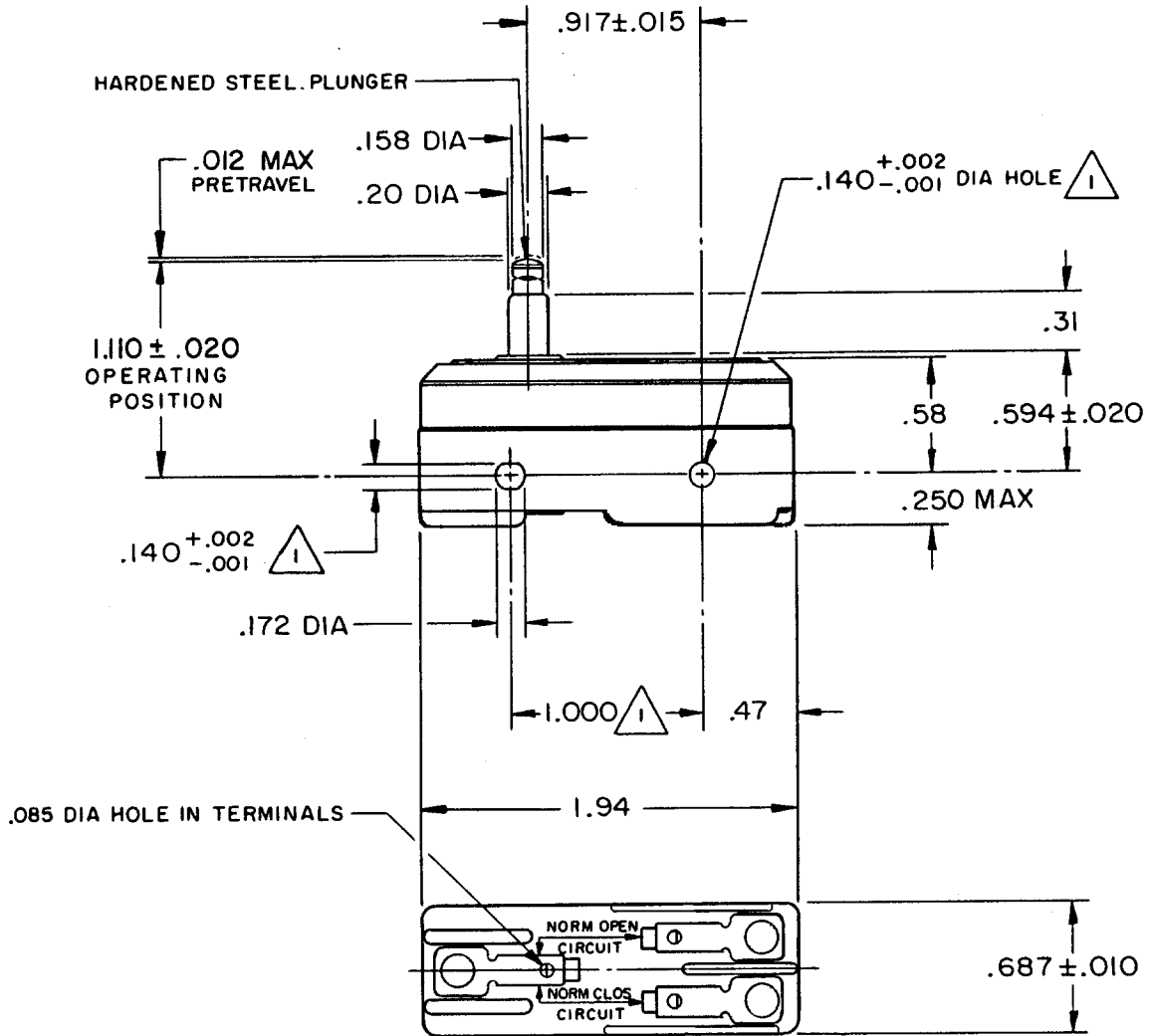
CHECK

CHECK

LSD 5 JUNE 64

CHECK

RES 4 JUNE 64



NOTE
 MOUNTING HOLES WILL ACCEPT PINS OR SCREWS
 OF .139 MAX DIA ON 1.000±.002 CENTERS

THIS DRAWING COVERS A PROPRIETARY ITEM AND IS THE PROPERTY OF MICRO SWITCH, A DIVISION OF MINNEAPOLIS-HONEYWELL REGULATOR CO. THIS DRAWING IS NOT TO BE COPIED OR USED WITHOUT THE APPROVAL OF MICRO SWITCH.

CHARACTERISTICS

OPERATING FORCE - - - - - 7 - 9 1/2 OZ
 RELEASE FORCE - - - - - 4 OZ MIN
 DIFFERENTIAL TRAVEL - - 0002 - .0004
 OVERTRAVEL - - - - - .062 MIN

ELECTRICAL DATA

CONTACT ARRANGEMENT
 S P D T
 L103
 15A 125, 250 OR 480 VAC
 1/8HP 125 VAC, 1/4HP 250 VAC

SCALE FULL

DO NOT SCALE PRINT
 UNLESS OTHERWISE NOTED
 DIMENSIONS ARE IN INCHES
TOLERANCES ARE:
 ONE PLACE (.0) ±.030
 TWO PLACE (.00) ±.015
 THREE PLACE (.000) ±.005
 ANGLES ±
 WEIGHT .053 LB

