

MICRO SWITCH
a Honeywell Division

ACTUATOR - SWITCH

CATALOG LISTING
MD3211Q16

FED. MFG. CODE 91929

CATALOG LISTING
MD3211Q16
PAGE 1 OF 1

REPLACES
RELEASE NO. PR-2720

ISSUE
M
10

REVISIONS

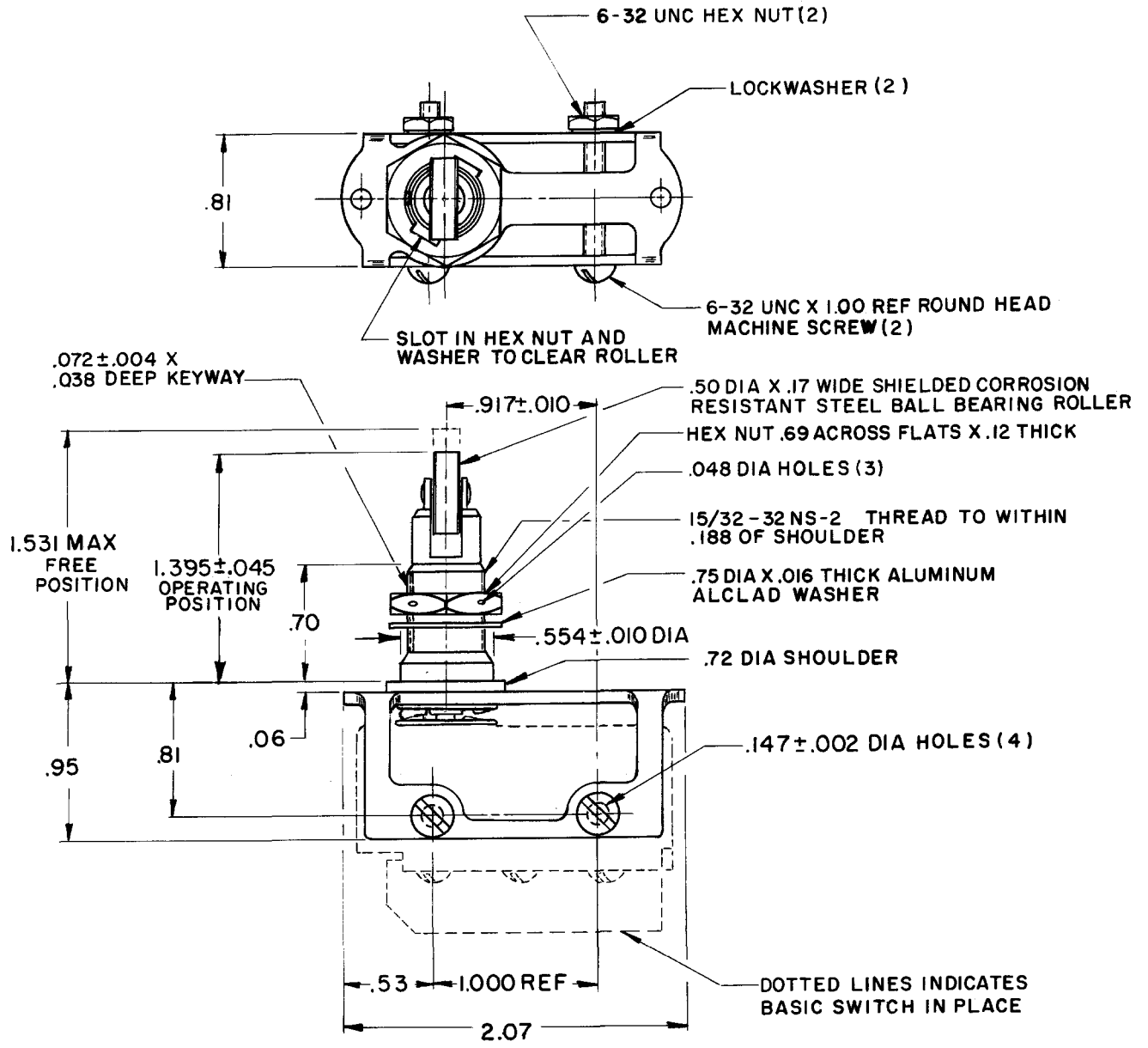
A	OBS DRW C082292
	CSL 26 JAN 96
B	REINST PR-22179
	G J W 17 MAY 96
C	203916
	JLH 13SEP01

CHECK

CHECK

DRAWN
G J W
17 MAY 96

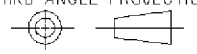
RASTER



NOTE -
I - SCREWS, NUTS AND LOCKWASHERS FURNISHED UNASSEMBLED

THIS DRAWING COVERS A PROPRIETARY ITEM AND IS THE PROPERTY OF MICRO SWITCH, A DIVISION OF HONEYWELL. THIS DRAWING IS NOT TO BE COPIED OR USED WITHOUT THE APPROVAL OF MICRO SWITCH.

THIRD ANGLE PROJECTION



CHARACTERISTICS WITH DT-2R-A7 BASIC SWITCH INSTALLED	ELECTRICAL DATA CONTACT ARRANGEMENT	SCALE FULL	DO NOT SCALE PRINT
OPERATING FORCE ----- 38 OZ MAX		UNLESS OTHERWISE SPECIFIED TOLERANCES ARE	
FULL OVERTRAVEL FORCE --- 5 LBS MAX		ONE PLACE (.0) ± .030	
OVERTRAVEL ----- .188 APPROX		TWO PLACE (.00) ± .015	
		THREE PLACE (.000) ± .005	
		ANGLES ±	
		WEIGHT 0.12 LB MAX	