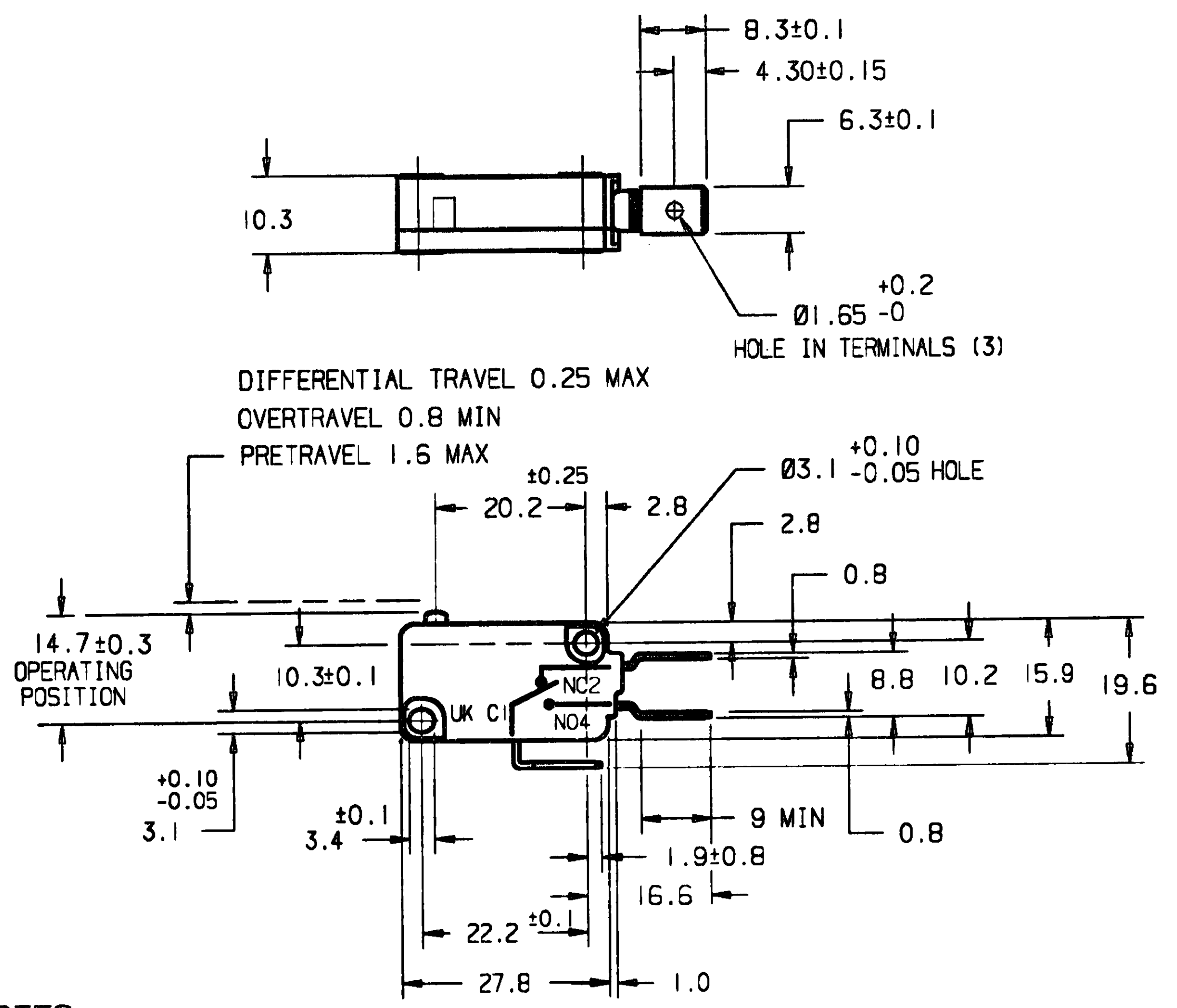


DO NOT SCALE PRINT
 SERIES V5
 CHART NO. 7
 REPLACES
 DRAWING NUMBER M
 ISSUE 6
 RELEASE NUMBER
 REVISIONS
 30.1.90
 CNI4506
 6 ML 12/94
 CNI5758
 11/86
 4/95
 D.L.
 CHECK
 DESIGN
 AUTHOR N

Honeywell
 S.P.D.T. SWITCHES
 WITH 6.3 Q.C. TERMINATIONS
 RANGE 5 TO 22 amp.
 SERIES V5
 CHART NO. 7



- NOTES :-
1. MOUNTING HOLES WILL ACCEPT Ø3 MAX PINS OR SCREWS.
 2. TERMINALS WILL ACCEPT 6.3 WIDE QUICK CONNECT RECEPTACLES AND COMPLY WITH BS3955 AND DIN46244 REQUIREMENTS.
 3. THERMOPLASTIC CASE, COVER AND PHENOLIC PLUNGER.
 - 4 APPROVED BY SEV AT 16(4)A 250 VAC.
 - 5 APPROVED BY SEV AT 16(3)A 250 VAC.
 - 6 APPROVED BY SEV AT 20(4)A 250 VAC.
 - 7 APPROVED BY SEV AT 10(3)A 250 VAC.
 - 8 APPROVED BY SEV AT 5(2.5)A 250 VAC.
 - 9 ALSO APPROVED BY UL AT 0.6A 125VDC: 0.3A 250VDC.
 - 10 ALSO APPROVED BY UL AT 1/2A 125VDC : 1/4A 250VDC.

SCALE:-FULL SIZE
 DIMENSIONS ARE IN MILLIMETRES
 TOLERANCES UNLESS OTHERWISE STATED
 ±0.4
 ANGULAR ±

NOTES	APPROVALS/RATINGS	CHARACTERISTICS		REL No.	CK'D BY	I S S U E	CATALOGUE LISTING
		RELEASE FORCE gm MIN	OPERATING FORCE gm MAX				
6 9	 	75	300	MS-20553		2	V5A010CB3
4 9	 	75	300	CN-13409		2	V5B010CB3
7 10	 	50	200	CN-13409		2	V5C010BB3
7 10	 	25	100	MS-20553		1	V5D010BB3
9	 	75	300	MS-20553		2	V5N010CB3
5 9	 	50	200	MS-20553		3	V5P010CB3
5 9	 	25	100	MS-20553		1	V5R010CB3
8 10	 	6	25	MS-20553		2	V5H011BB3
4 9	 	100	400	MS-11881		2	V5U010CB3
4 9	 	125	500			1	V5T010CB3
8 10	 	12	50	MS-20553		2	V5G011BB3