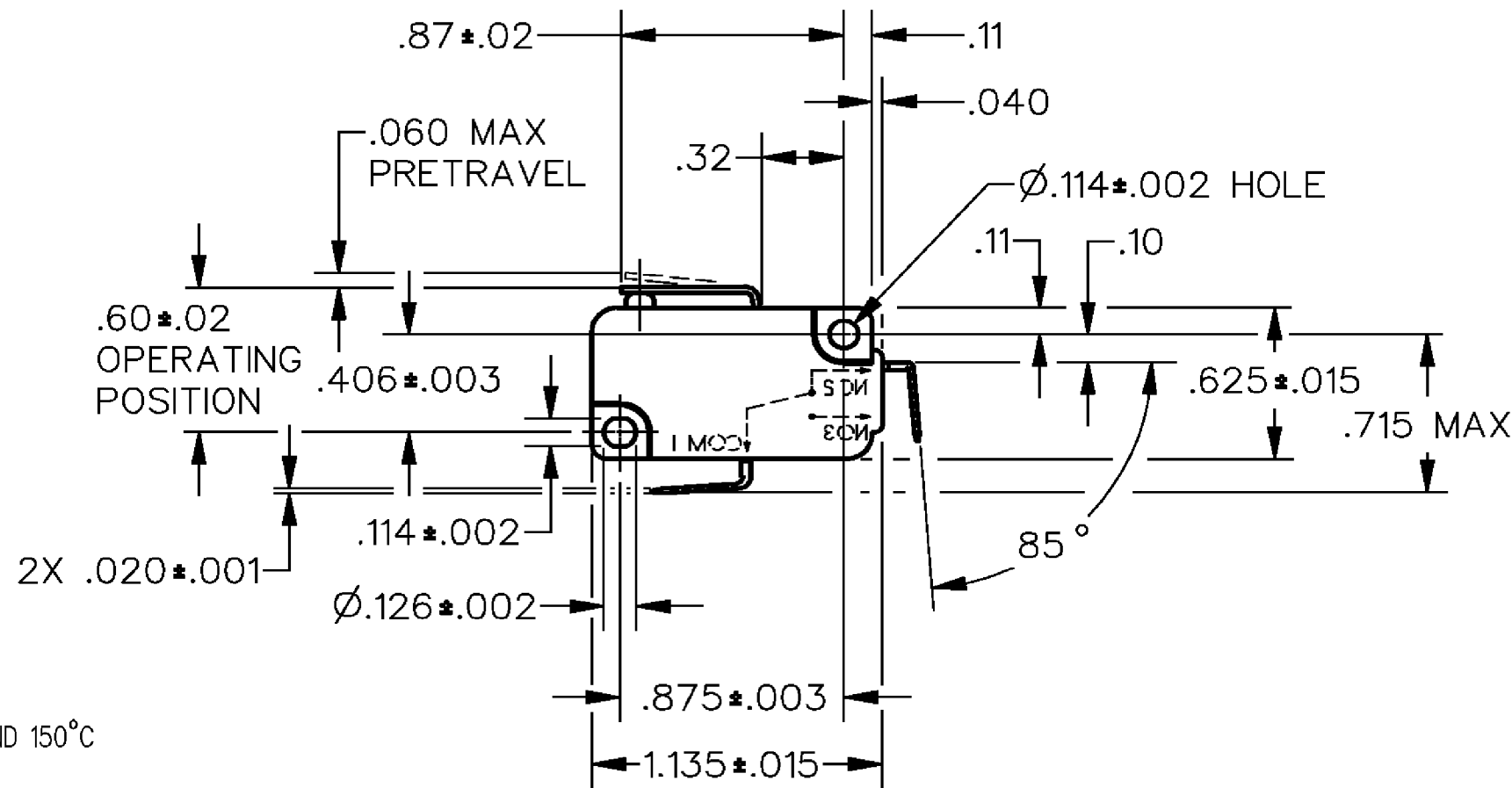
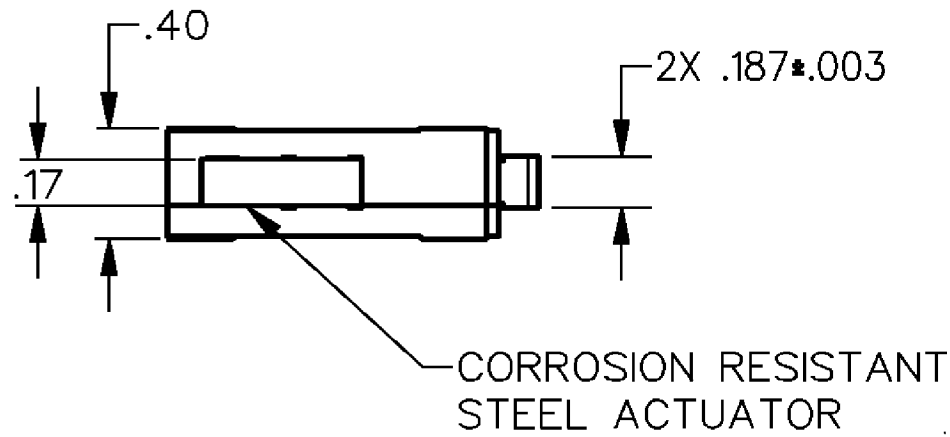


HONEYWELL
PART NUMBER

REV	DOCUMENT	CHANGED BY	CHECK
2	0041228	VS 03JUL08	BLR



NOTES
1 - SWITCH MATERIALS WILL WITHSTAND 150°C

RELEASE NO PR-23788	CATALOG LISTING V7-1C33D855-002
REPLACES X111449-V7	CW-B5611

CHARACTERISTICS OPERATING FORCE----- 160 GRAMS MAX RELEASE FORCE ----- 15 GRAMS MIN DIFFERENTIAL TRAVEL ----- .015 MAX OVERTRAVEL ----- .035 MIN RELEASE TRAVEL ----- .010 MIN		ELECTRICAL DATA CONTACT ARRANGEMENT S P N C 15.1A 1/2 HP 125, <u>250</u> , 277 VAC 1/2A 125VDC 1/4A 250VDC; 5A 125VAC "L" L215 (T)		UNLESS OTHERWISE SPECIFIED TOLERANCES ARE: NO PLACE X ± - ± - ONE PLACE .X ± .030 ± - TWO PLACE .XX ± .015 ± - THREE PLACE .XXX ± .005 ± - ANGLES ± - ± - RAW MATERIAL-COMMERCIAL STANDARD THIRD ANGLE PROJECTION 		DRAWN PPF 18DEC98 CHECK JAF 18DEC98 THIS DRAWING COVERS A PROPRIETARY ITEM AND IS THE PROPERTY OF HONEYWELL. THIS DRAWING IS NOT TO BE COPIED OR USED WITHOUT THE PERMISSION OF HONEYWELL. DIMENSIONS ARE TO BE MET BEFORE PROTECTIVE COATINGS ARE APPLIED RASTER ANSI Y14.5M-1982		Honeywell TITLE SWITCH, BASIC			SIZE DWG TYPE DRAWING NAME REV B I V7-1C33D855-002 2	
						SCALE NTS		WEIGHT SHEET 1 OF 1				