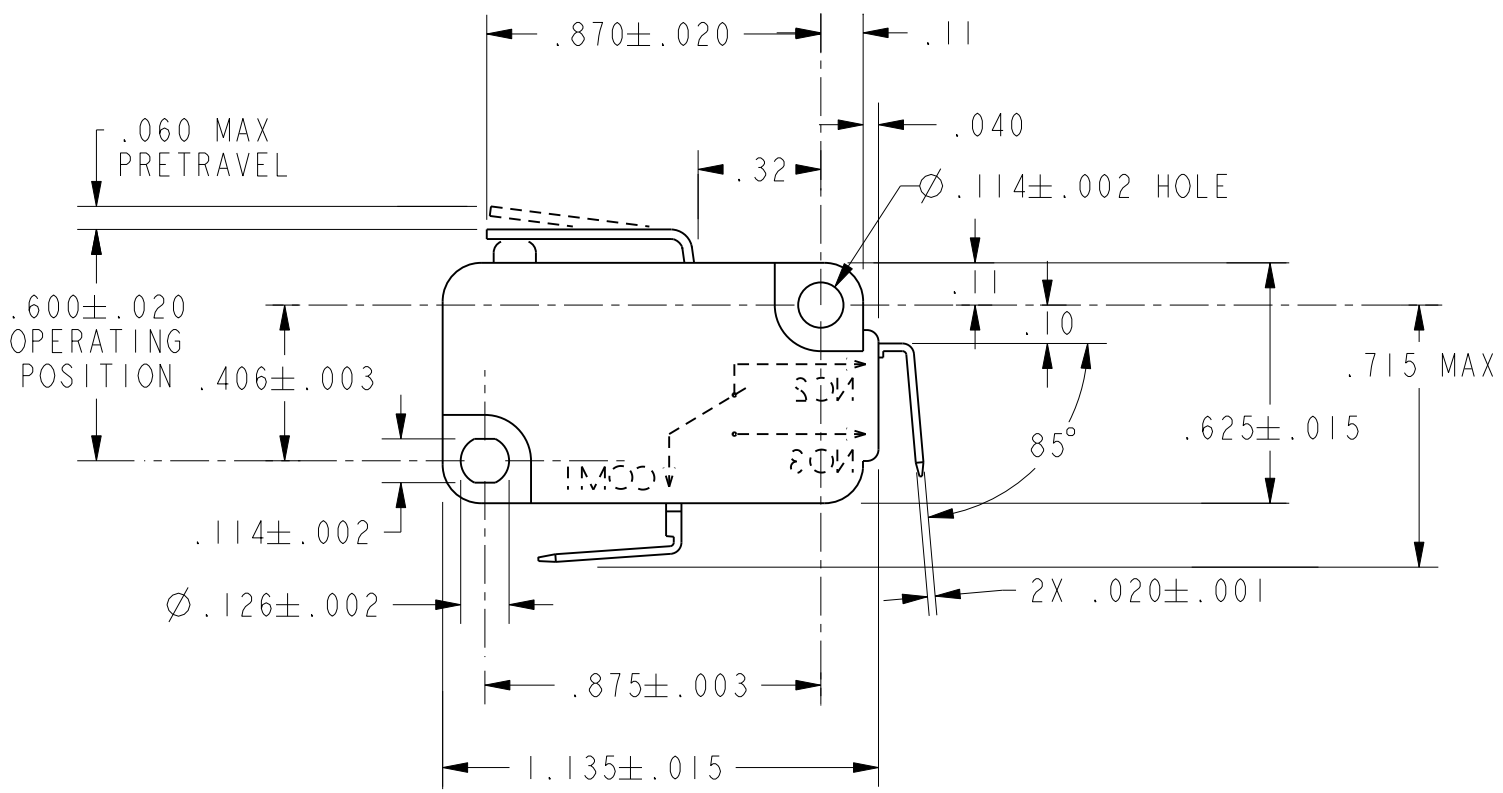
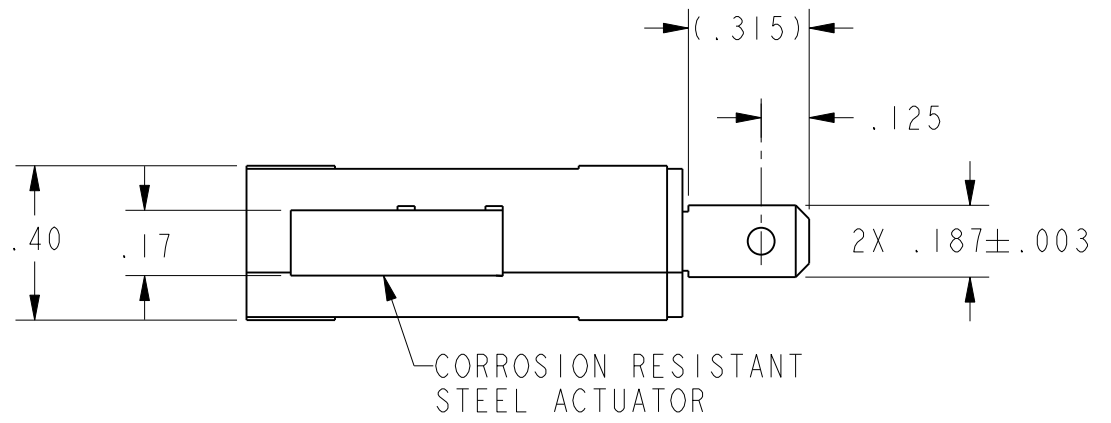


CW-B5618

REV	DOCUMENT	CHANGED BY	CHECK
4	0041170	JA 03JUL08	ASD



CHARACTERISTICS	
OPERATING FORCE	-----160 GRAMS MAX
RELEASE FORCE	-----15 GRAMS MIN
DIFFERENTIAL TRAVEL	-----.015 MAX
OVERTRAVEL	-----.035 MIN
RELEASE TRAVEL	-----.010 MIN

ELECTRICAL DATA	
CONTACT ARRANGEMENT S P N C	
L215	15.1A 1/2HP 125, 250 OR 277 VAC 1/2A 125 VDC 1/4A 250 VDC; 5A 125 VAC "L"

UNLESS OTHERWISE SPECIFIED TOLERANCES ARE:

	<input checked="" type="checkbox"/> US (inch) CUSTOMARY	<input type="checkbox"/> SI (mm) METRIC
NO PLACE	X ±.040	±1
ONE PLACE	.X ±.030	±0,4
TWO PLACE	.XX ±.015	±0,15
THREE PLACE	.XXX ±.005	±
ANGLES	±	±
RAW MATERIAL-COMMERCIAL STANDARD		

THIRD ANGLE PROJECTION

DRAWN	TSM	IAPR03
CHECK	SAV	IAPR03
THIS DRAWING COVERS A PROPRIETARY ITEM AND IS THE PROPERTY OF HONEYWELL. THIS DRAWING IS NOT TO BE COPIED OR USED WITHOUT THE PERMISSION OF HONEYWELL.		
DIMENSIONS ARE TO BE MET BEFORE PROTECTIVE COATINGS ARE APPLIED		
PTC 2D	ASME Y14.5M-1994	

**Honeywell**

TITLE  
**SWITCH, BASIC**

SIZE	DWG TYPE	DRAWING NAME	REV
<b>B</b>	<b>I</b>	<b>V7-1C37D855-002</b>	<b>4</b>
SCALE	NONE	WEIGHT	SHEET 1 OF 1