

MICRO SWITCH

FREERPORT ILLINOIS, U.S.A
A DIVISION OF HONEYWELL
FED. MFG. CODE 91929

SWITCH-BASIC

CATALOG LISTING
WZ - R296 - A2

WZ-R296-A2

M

DRAWING NUMBER

XZ

ISSUE 4

REPLACES X77806-WZ

RELEASE NO. PR-12892

CHECK

REVISIONS

A	CO-73287-J	J A L	22 NOV 93
B	CO-77591	DAW	22 JUN 94
C	CO-79125	SAD	30 NOV 94

CHECK

11 APRIL 84

CHECK

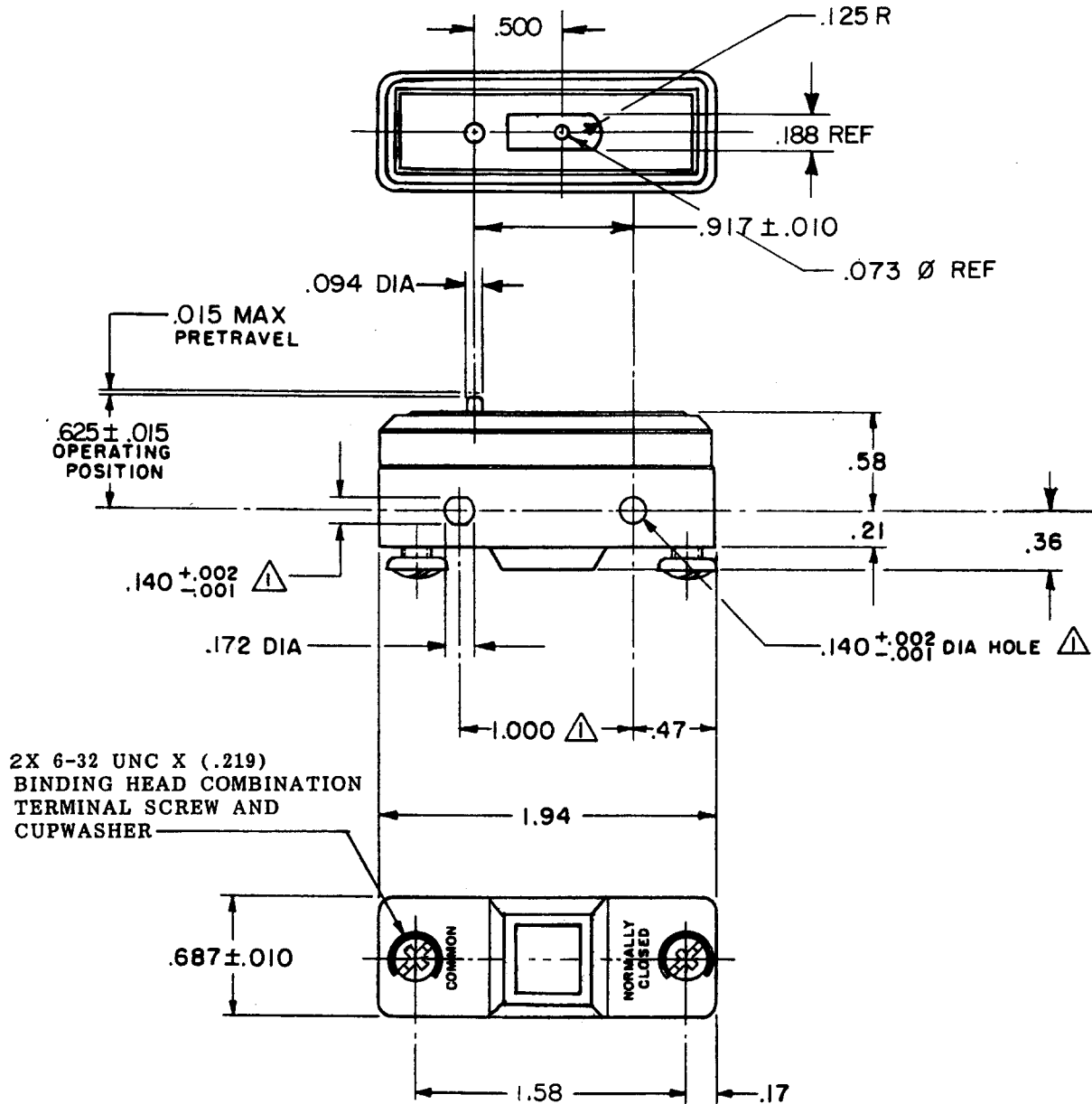
CHECK

CHECK

10 APR 84

CHECK

DRAWN

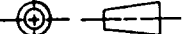


2X 6-32 UNC X (.219)
BINDING HEAD COMBINATION
TERMINAL SCREW AND
CUPWASHER

NOTE
MOUNTING HOLES WILL ACCEPT PINS OR SCREWS OF .139 MAX DIA ON 1.000±.002 CENTERS

THIS DRAWING COVERS A PROPRIETARY ITEM AND IS THE PROPERTY OF MICRO SWITCH, A DIVISION OF HONEYWELL. THIS DRAWING IS NOT TO BE COPIED OR USED WITHOUT THE APPROVAL OF MICRO SWITCH.

THIRD ANGLE PROJECTION



CHARACTERISTICS

OPERATING FORCE ----- 7-9 OZ
RELEASE FORCE ----- 4 OZ MIN
DIFFERENTIAL TRAVEL ----- .0005 MAX
OVERTRAVEL ----- .005 MIN

ELECTRICAL DATA

CONTACT ARRANGEMENT
S P N C
L 103
15A 125, 250 OR 480 VAC
1/8 HP 125 VAC, 1/4 HP 250 VAC



SCALE FULL

DO NOT SCALE PRINT

APPLY TO DESIGN UNITS. CONVERSIONS ARE ONLY FOR REFERENCE. UNLESS NOTED, TOLERANCES ARE ±

	DIM. mm	TOL. mm/in	DIM. in	TOL. mm/in
NO PLACES	X	1/64	X	0.07/03
ONE PLACE	X,X	0.41/016	X,X	0.387/015
TWO PLACES	X,XX	0.157/006	X,XX	0.137/005
THREE PLACES	X,XXX		X,XXX	

DESIGN UNITS SI METRIC US CUSTOMARY

WEIGHT .063 LB

FO-52848-A