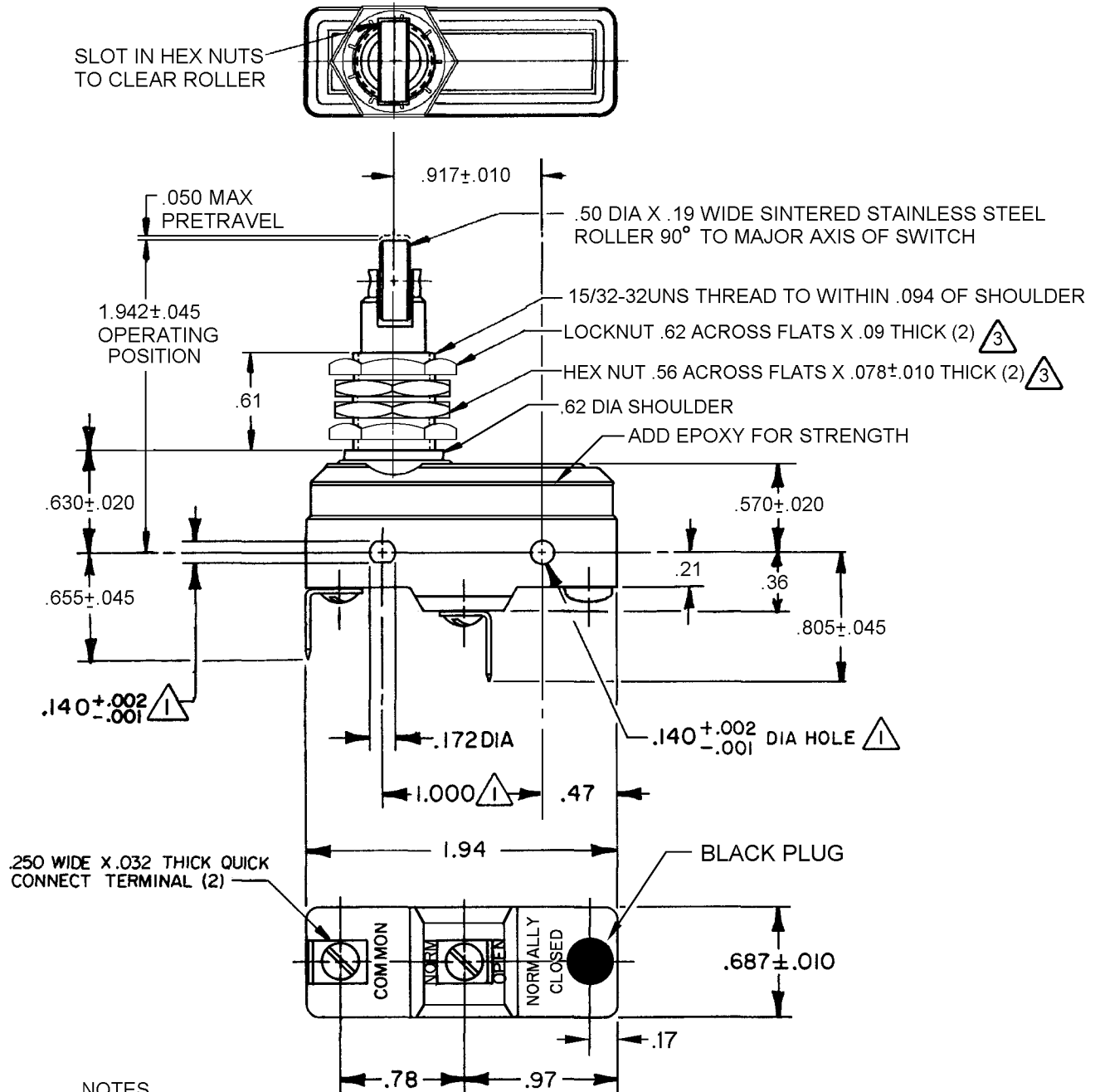


CATALOG LISTING  
**YA-2RQ81245-D6**  
 PAGE 1 OF 1  
 ISSUE **M**  
 6  
 REVISIONS  
 A 207383  
 CSL 10 FEB 03  
 B 207555  
 CSL 4 MAR 03  
 C 0000831  
 CSL 10 JUL 03  
 D 0005639  
 BM 27 MAY 04  
 E 0018388  
 TGP 17 FEB 06  
 RASTER  
 DRAWN  
 GJW 25 JUN 02  
 CHECK SAV  
 25 JUN 02  
 CHECK AK  
 17 FEB 06  
 205876  
 REPLACES



- NOTES
- <sup>1</sup> MOUNTING HOLES WILL ACCEPT PINS OR SCREWS OF .139 MAX DIA ON 1.000 ± .002 CENTERS
  - <sup>2</sup> SWITCH WILL WITHSTAND TEMPERATURES OF 250° F
  - <sup>3</sup> HARWARE FURNISHED UNASSEMBLED

THIS DRAWING COVERS A PROPRIETARY ITEM AND IS THE PROPERTY OF MICRO SWITCH, A DIVISION OF HONEYWELL. THIS DRAWING IS NOT TO BE COPIED OR USED WITHOUT THE APPROVAL OF MICRO SWITCH.

THIRD ANGLE PROJECTION

CHARACTERISTICS	ELECTRICAL DATA	SCALE FULL																								
OPERATING FORCE - - - - - 14-22 OZ	CONTACT ARRANGEMENT S P N O	DO NOT SCALE PRINT																								
RELEASE FORCE - - - - - 9 OZ MIN	20A-125, 250 OR 480 VAC; 10A-125 VAC "L" 1HP-125 VAC; 2HP-250 VAC CODE L23 1/2A-125 VDC; 1/4A-250 VDC	TOLERANCES APPLY TO DESIGN UNITS. CONVERSIONS ARE ONLY FOR REFERENCE. UNLESS NOTED, TOLERANCES ARE ±																								
DIFFERENTIAL TRAVEL - - - .0020-.0075	L288	<table border="1"> <thead> <tr> <th>DIM.</th> <th>TOL.</th> <th>DIM.</th> <th>TOL.</th> </tr> <tr> <th>mm</th> <th>mm/in</th> <th>in</th> <th>mm/in</th> </tr> </thead> <tbody> <tr> <td>NO PLACES</td> <td>X</td> <td>17.04</td> <td></td> </tr> <tr> <td>ONE PLACE</td> <td>X,X</td> <td>0.47,016</td> <td>X,X 0.87,03</td> </tr> <tr> <td>TWO PLACES</td> <td>X,XX</td> <td>0.167,006</td> <td>X,XX 0.387,015</td> </tr> <tr> <td>THREE PLACES</td> <td>X,XXX</td> <td></td> <td>X,XXX 0.137,005</td> </tr> </tbody> </table>	DIM.	TOL.	DIM.	TOL.	mm	mm/in	in	mm/in	NO PLACES	X	17.04		ONE PLACE	X,X	0.47,016	X,X 0.87,03	TWO PLACES	X,XX	0.167,006	X,XX 0.387,015	THREE PLACES	X,XXX		X,XXX 0.137,005
DIM.	TOL.	DIM.	TOL.																							
mm	mm/in	in	mm/in																							
NO PLACES	X	17.04																								
ONE PLACE	X,X	0.47,016	X,X 0.87,03																							
TWO PLACES	X,XX	0.167,006	X,XX 0.387,015																							
THREE PLACES	X,XXX		X,XXX 0.137,005																							
OVERTRAVEL - - - - - .219 MIN	L308 20(3)A 250V  T85 5E4	DESIGN UNITS <input type="checkbox"/> SI METRIC <input type="checkbox"/> US CUSTOMARY <input checked="" type="checkbox"/>																								
	L315	WEIGHT .093 LB																								