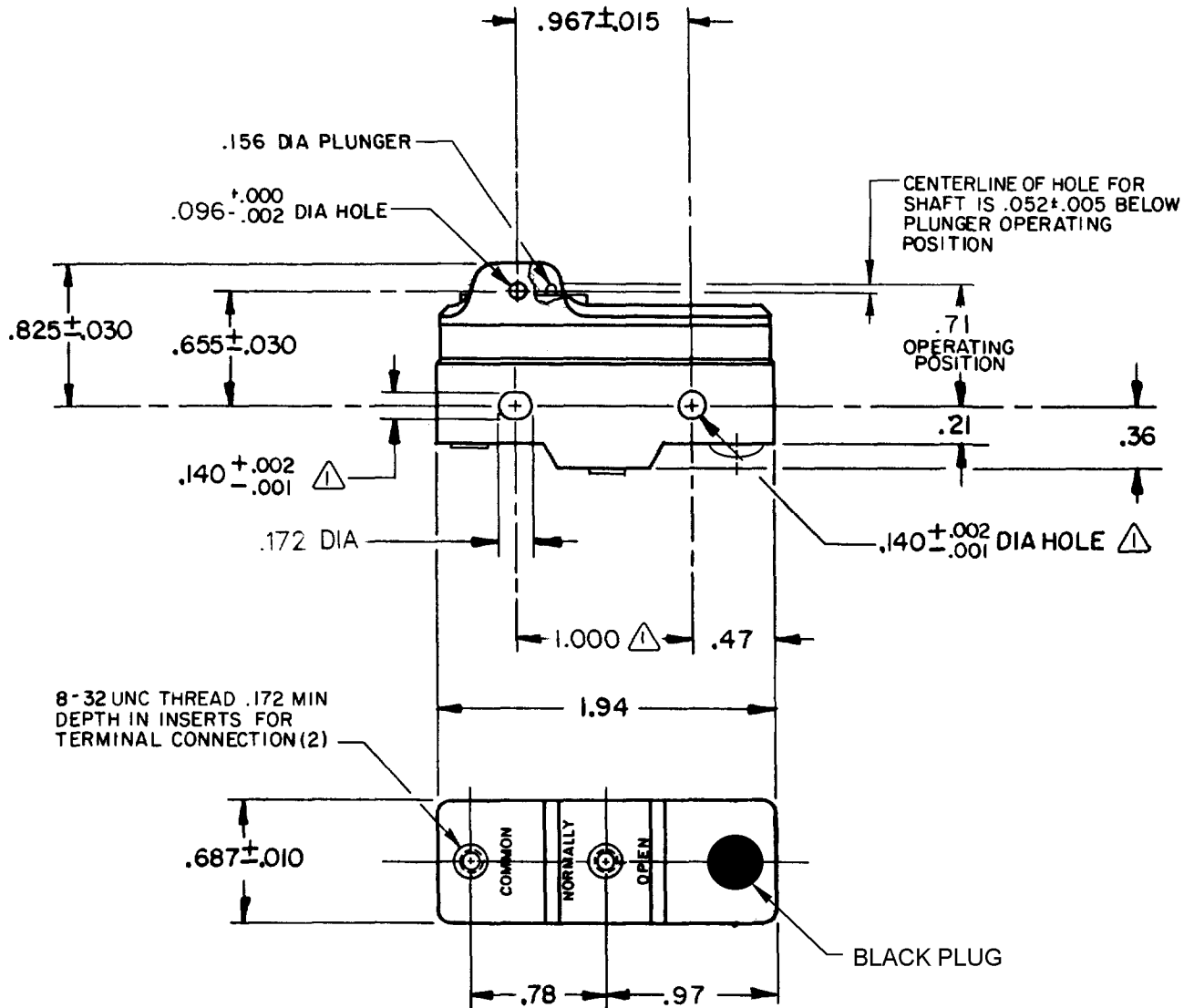


MICRO SWITCH

FREEPORT ILLINOIS, U.S.A
A DIVISION OF HONEYWELL
FED. MFG. CODE 91929

SWITCH-BASIC

CATALOG LISTING
YE-2RV198-A41



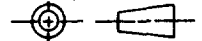
8-32 UNC THREAD .172 MIN DEPTH IN INSERTS FOR TERMINAL CONNECTION (2)

NOTES

- 1 MOUNTING HOLES WILL ACCEPT PINS OR SCREWS OF .139 MAX DIA ON 1.000±.002 CENTERS
- 2 - LEVER (1), AND PIN (1) FURNISHED UNASSEMBLED

THIS DRAWING COVERS A PROPRIETARY ITEM AND IS THE PROPERTY OF MICRO SWITCH, A DIVISION OF HONEYWELL. THIS DRAWING IS NOT TO BE COPIED OR USED WITHOUT THE APPROVAL OF MICRO SWITCH.

THIRD ANGLE PROJECTION



CHARACTERISTICS

OPERATING FORCE ----- 15-21 OZ
RELEASE FORCE ----- 10-14 OZ
PRETRAVEL ----- .050 MAX
DIFFERENTIAL TRAVEL --- .0020-.0075
OVERTRAVEL ----- .010 MIN

ELECTRICAL DATA

CONTACT ARRANGEMENT
S P N O

25A-125, 250, 480 VAC
1 HP-125 VAC; 2 HP-250 OR 480 VAC
PILOT DUTY 750 VA-480 VAC, MAX
60/75°C (Cu)



SCALE FULL

DO NOT SCALE PRINT

TOLERANCES
APPLY TO DESIGN UNITS. CONVERSIONS ARE ONLY FOR REFERENCE. UNLESS NOTED, TOLERANCES ARE ±

	DIM. mm	TOL. mm/in	DIM. in	TOL. mm/in
NO PLACES	X	1/64	X	0.001
ONE PLACE	X,X	0.001/0.002	X,X	0.001/0.002
TWO PLACES	X,X,X	0.0001/0.0002	X,X,X	0.0001/0.0002
THREE PLACES	X,X,X,X	0.00001/0.00002	X,X,X,X	0.00001/0.00002
ANGLES				

DESIGN UNITS SI METRIC

US CUSTOMARY

WEIGHT

REPLACES X73400-YE
 RELEASE NO. PR-11447
M YE-2RV198-A 41
 DRAWING NUMBER
 ISSUE 5
 CHECK
 REVISIONS
 A C080986 JALA 11 JUN 95
 B 0000782 JAH 8 JUL 03
 CHECK KLAH 20 AUG 87
 CHECK KLAH 17 AUG 82
 DRAWN KAG
 RASTER