

MICRO SWITCH

A DIVISION OF MINNEAPOLIS-HONEYWELL REGULATOR COMPANY
FARGO, MINN. 56501

FED. MFR. CODE 91929

ASSEMBLY- PUSHBUTTON SWITCH



CATALOG LISTING
IPB5-T

(M) IPB5-T
ISSUE 2

IPB5-T

M

DRAWING
NUMBER

3

ISSUE

6

REPLACES

RELEASE NO.

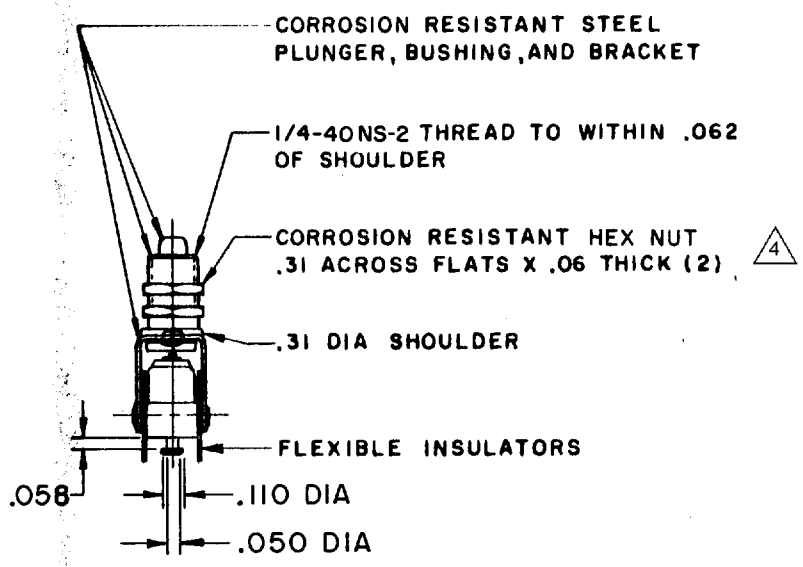
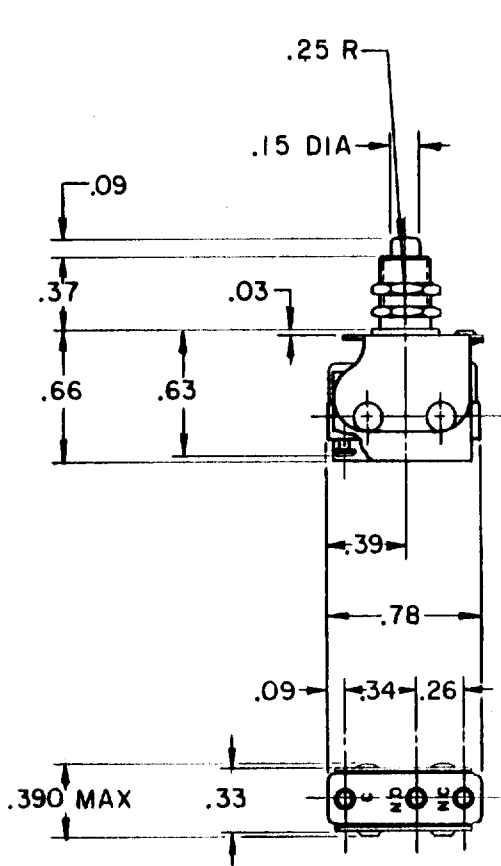
CHECK

CHECK

DAW 22 JUL 60

JUL 60 CHECK

FO-50376
DRAWN
LMH 20 JUL 60



- NOTE -
- ① 1 - UNIT INCLUDES CAT. LIST. "ISM" TYPE BASIC SWITCH
 - ② 2 - TERMINALS ARE PLATED FOR SOLDERING
 - ③ 3 - RECOMMENDED FOR MANUAL OPERATION ONLY
 - ④ MOUNTING HARDWARE FURNISHED UNASSEMBLED

THIS DRAWING COVERS A PROPRIETARY ITEM AND IS THE PROPERTY OF MICRO SWITCH, A DIVISION OF MINNEAPOLIS-HONEYWELL REGULATOR CO. THIS DRAWING IS NOT TO BE COPIED OR USED WITHOUT THE APPROVAL OF MICRO SWITCH.

CHARACTERISTICS	ELECTRICAL DATA	SCALE FULL
OPERATING FORCE-----1 LB APPROX	CONTACT ARRANGEMENT S P D T	DO NOT SCALE PRINT
	250 VAC ----- 5 AMP 30 VOLTS DC RATING INDUCTIVE ----- SEA LEVEL ----- 3 AMP 50,000 FT. ----- 2.5 AMP RESISTIVE ----- SEA LEVEL ----- 5 AMP 50,000 FT. ----- 5 AMP MAXIMUM INRUSH ----- 24 AMP	UNLESS OTHERWISE SPECIFIED DIMENSIONS ARE IN INCHES TOLERANCES ARE: ONE PLACE (.0) ±.030 TWO PLACE (.00) ±.015 THREE PLACE (.000) ±.005 ANGLES ±
		WEIGHT