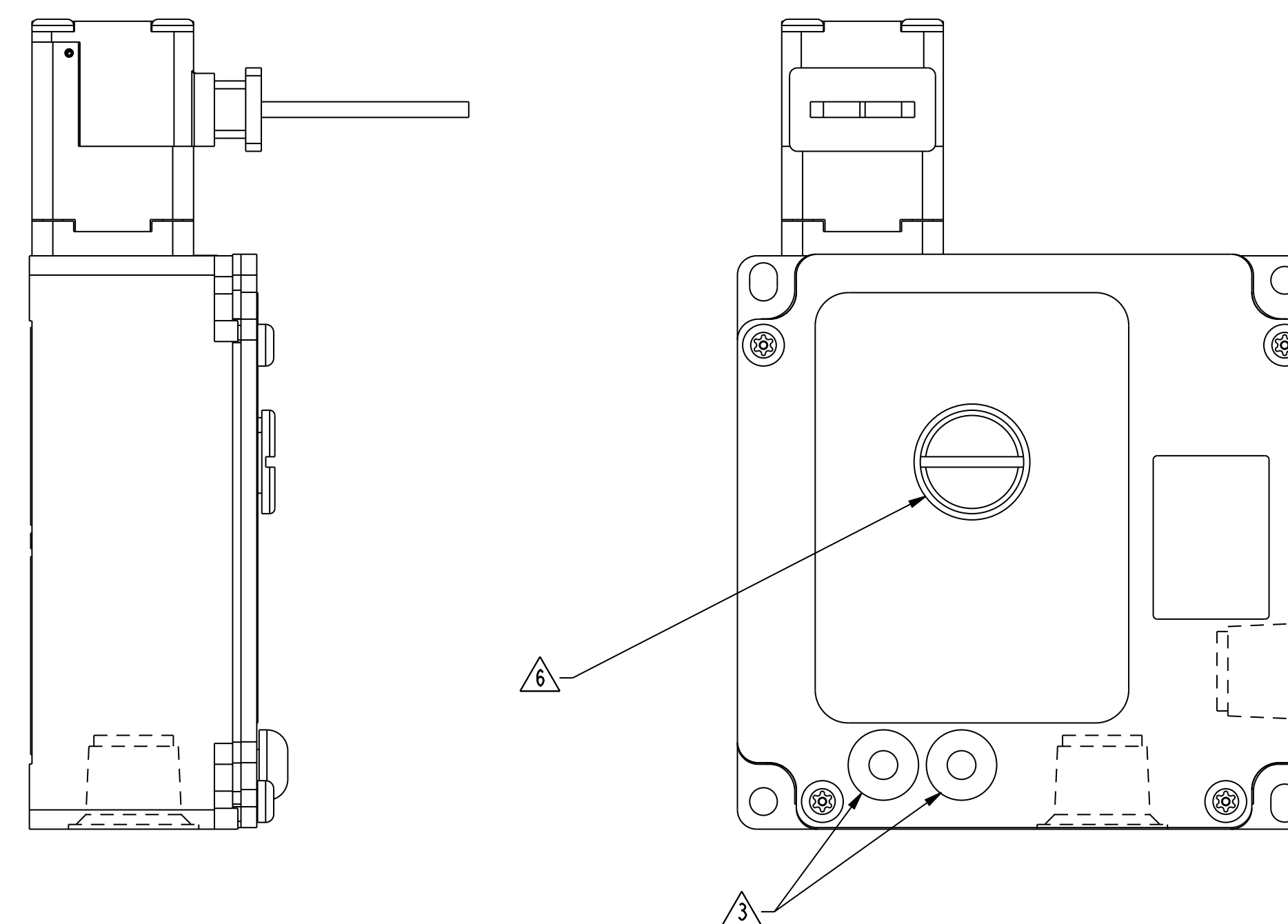


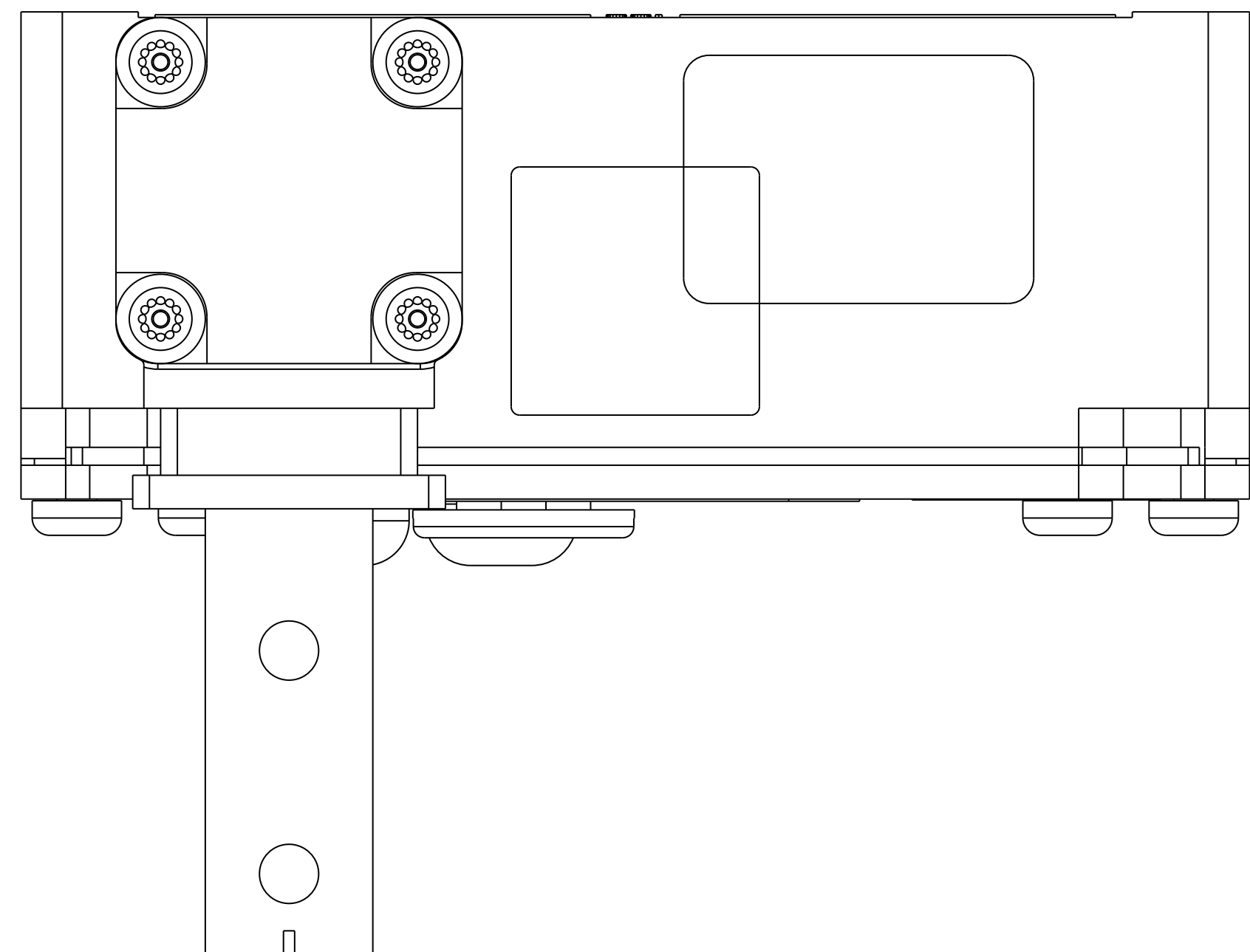
BODY / INDICATOR CODES R OR G



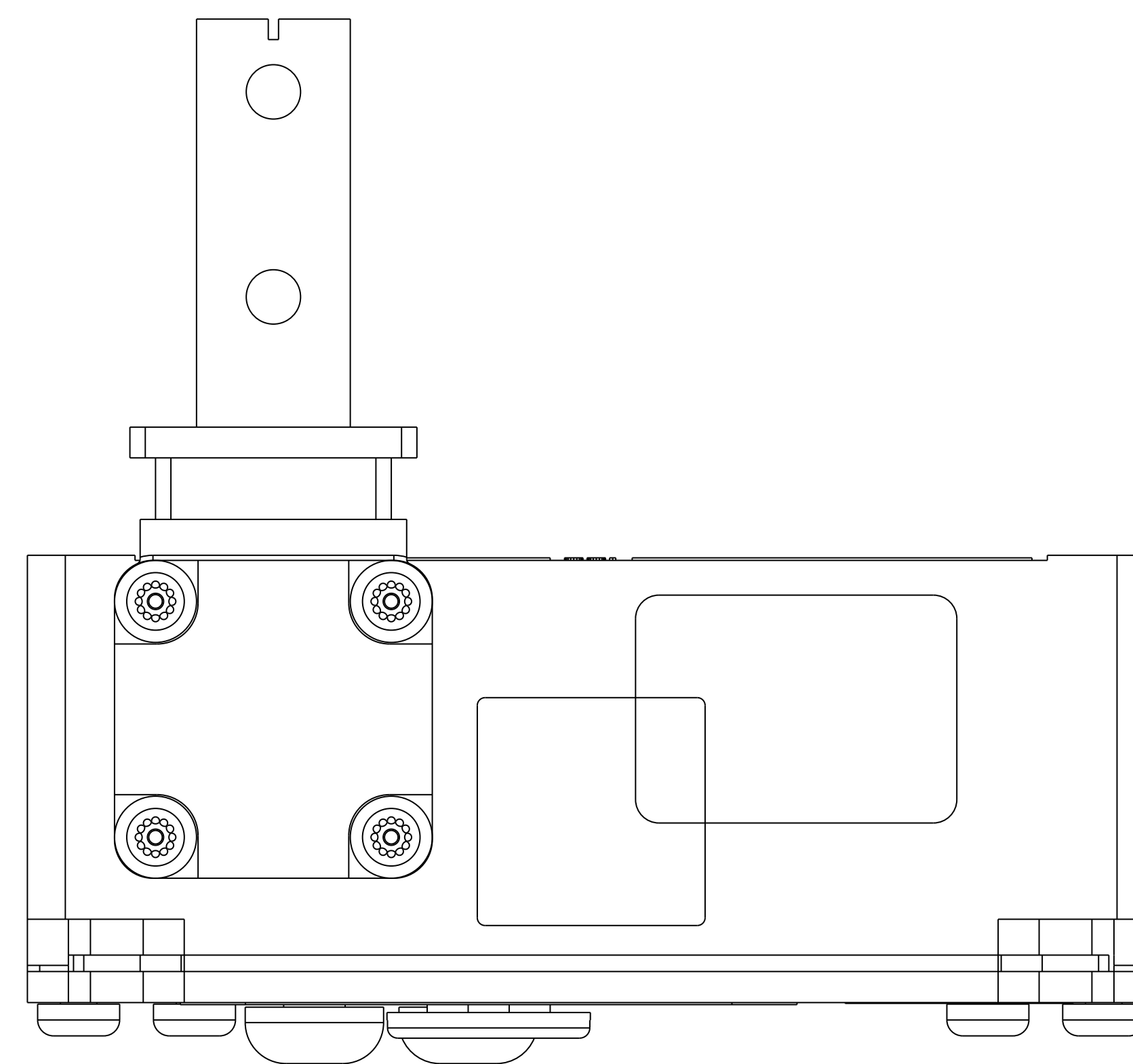
BODY / INDICATOR CODES L OR F

PTC/CAD
 DRAWN
 SAV 120 OCT 98
 JAF 120 OCT 98
 CMH
 CHECK
 13
 ISSUE
 DRAWING NUMBER
 2 OF 14
 RELEASE NO. PR-23345
 REVISIONS
 A1 200915
 A2 200915
 A3 200915
 A4 200915
 A5 200915
 A6 200915
 A7 200915
 A8 200915
 A9 200915
 A10 200915
 A11 200915
 A12 200915
 A13 200915
 A14 200915
 A15 200915
 A16 200915
 A17 200915
 A18 200915
 A19 200915
 A20 200915
 A21 200915
 A22 200915
 A23 200915
 A24 200915
 A25 200915
 A26 200915
 A27 200915
 A28 200915
 A29 200915
 A30 200915
 A31 200915
 A32 200915
 A33 200915
 A34 200915
 A35 200915
 A36 200915
 A37 200915
 A38 200915
 A39 200915
 A40 200915
 A41 200915
 A42 200915
 A43 200915
 A44 200915
 A45 200915
 A46 200915
 A47 200915
 A48 200915
 A49 200915
 A50 200915
 A51 200915
 A52 200915
 A53 200915
 A54 200915
 A55 200915
 A56 200915
 A57 200915
 A58 200915
 A59 200915
 A60 200915
 A61 200915
 A62 200915
 A63 200915
 A64 200915
 A65 200915
 A66 200915
 A67 200915
 A68 200915
 A69 200915
 A70 200915
 A71 200915
 A72 200915
 A73 200915
 A74 200915
 A75 200915
 A76 200915
 A77 200915
 A78 200915
 A79 200915
 A80 200915
 A81 200915
 A82 200915
 A83 200915
 A84 200915
 A85 200915
 A86 200915
 A87 200915
 A88 200915
 A89 200915
 A90 200915
 A91 200915
 A92 200915
 A93 200915
 A94 200915
 A95 200915
 A96 200915
 A97 200915
 A98 200915
 A99 200915
 A100 200915

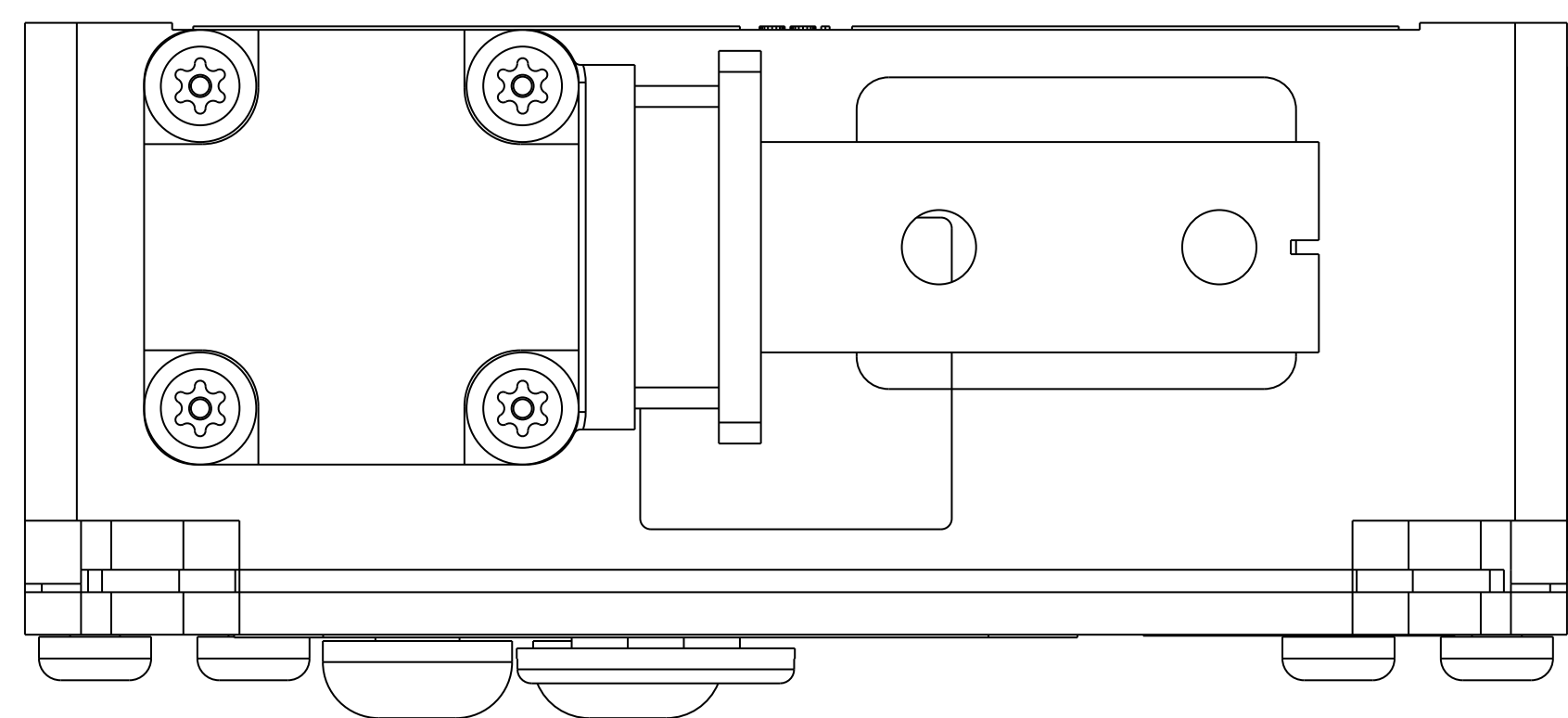
THIS DRAWING COVERS A PROPRIETARY ITEM AND IS THE PROPERTY OF MICRO SWITCH, A DIVISION OF HONEYWELL. THIS DRAWING IS NOT TO BE COPIED OR USED WITHOUT THE APPROVAL OF MICRO SWITCH. FED. MFG. CODE 91929		CATALOG LISTING SWITCH - DOOR INTERLOCK GK SERIES CHART 2	
MICRO SWITCH a Honeywell Division		DESIGN UNITS <input checked="" type="checkbox"/> SI METRIC <input type="checkbox"/> US CUSTOMARY	
WEIGHT 2,3 kg / 5 LB MAX		THIRD ANGLE PROJECTION SCALE FULL DO NOT SCALE PRINT TOLERANCES APPLY TO DESIGN UNITS. CONVERSIONS ARE ONLY FOR REFERENCE, UNLESS NOTED. TOLERANCES ARE: DIM. INCH ±.0005 DIM. MM ±.01 HOLE PLACES 2 ±.01 HOLE PLACES 3 ±.01 THREE PLACES 2 ±.01 ANGLES 1/2° ±.01 1° ±.01 1/2° ±.01 1° ±.01 1/2° ±.01 1° ±.01 1/2° ±.01	



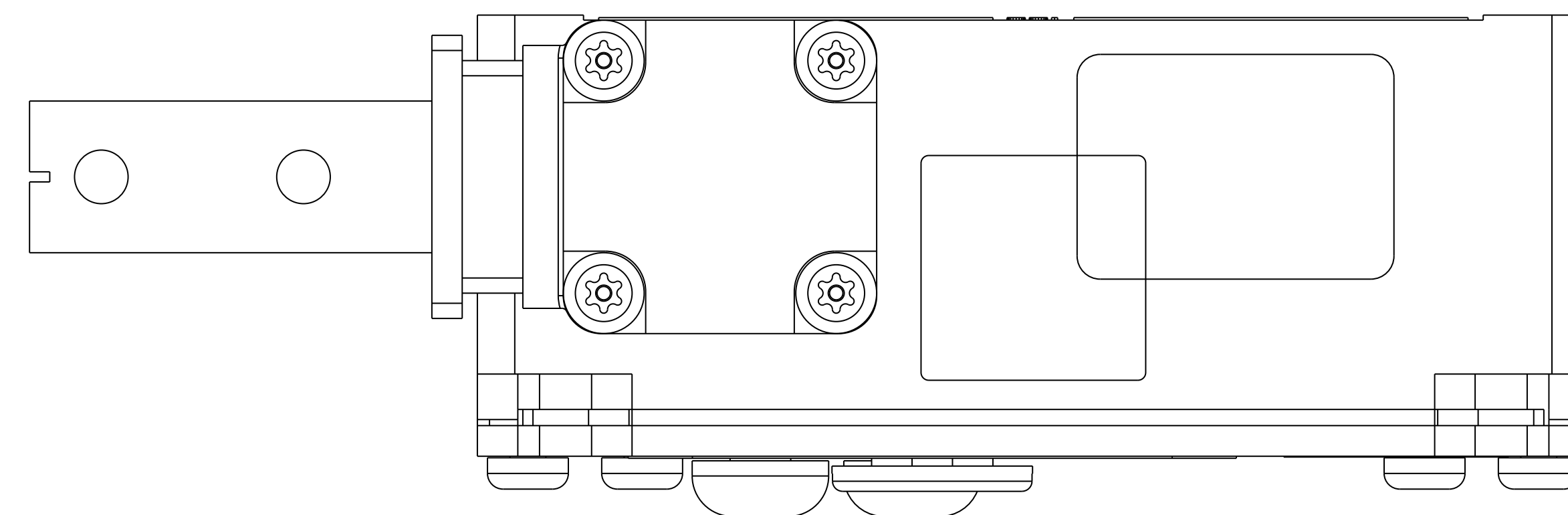
HEAD CODE A OR F



HEAD CODE C OR H



HEAD CODE B OR G



HEAD CODE D OR J

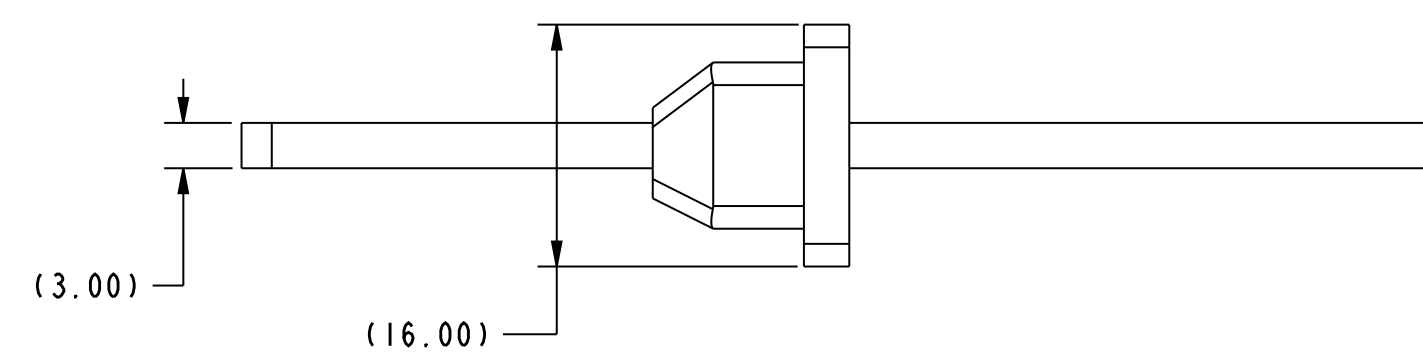
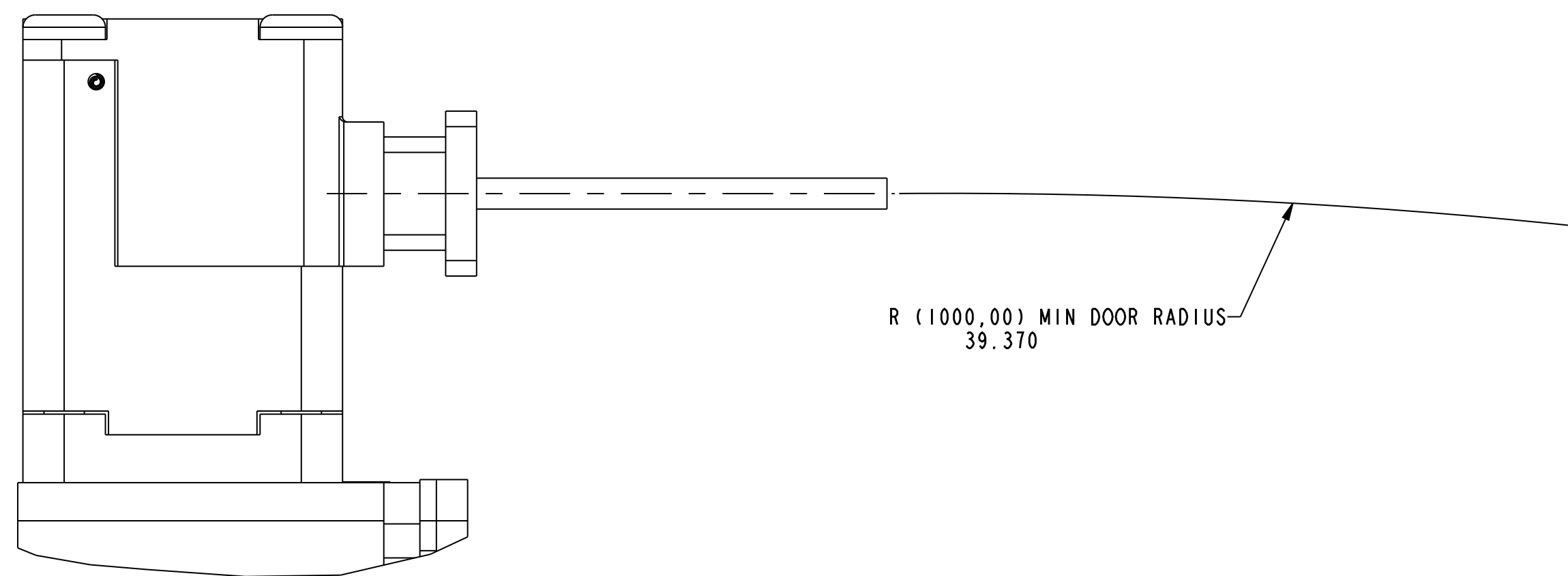
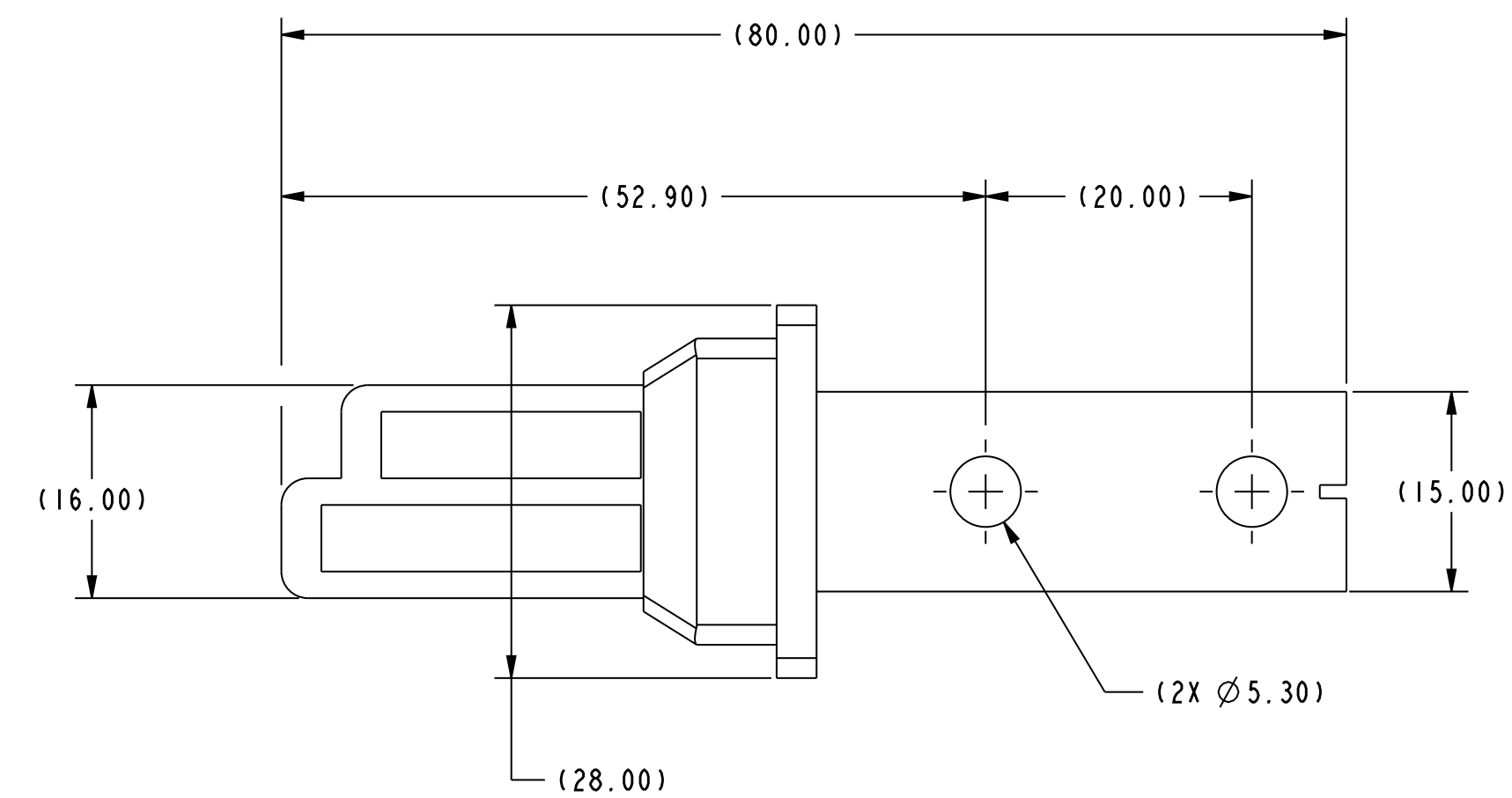
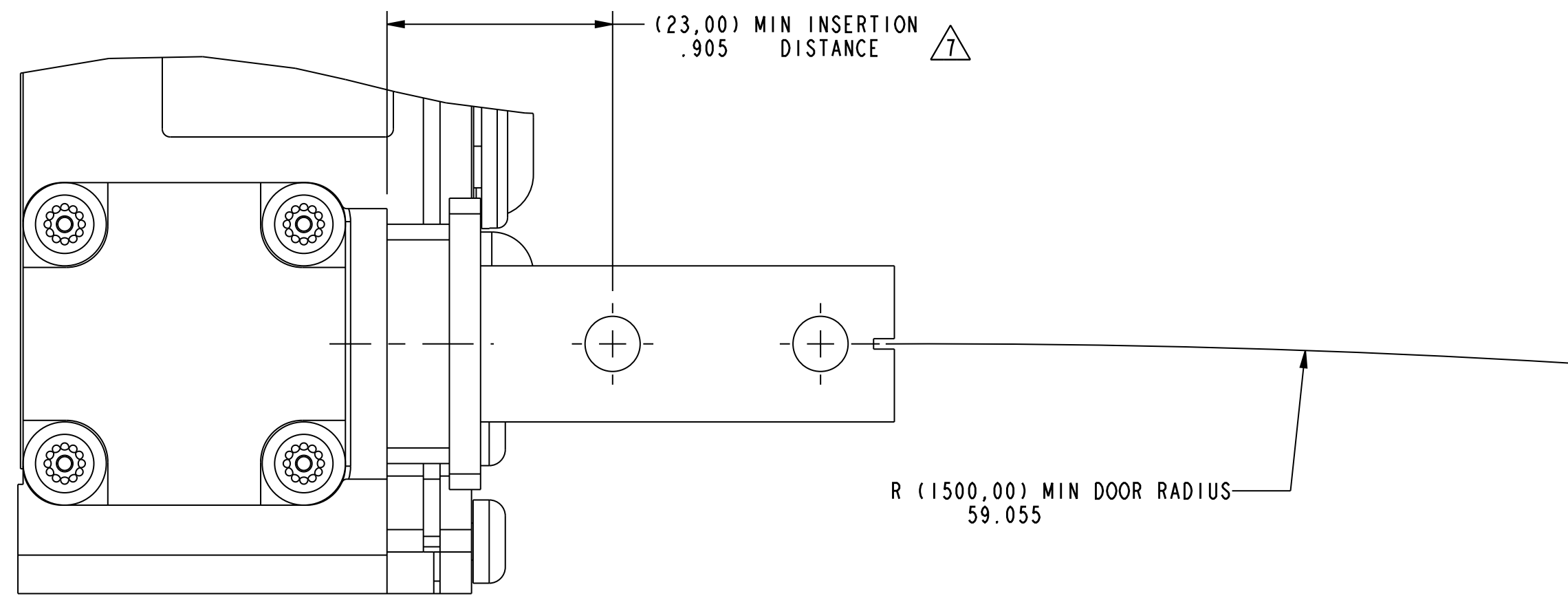
PTC/CAD
 DRAWN
 SAV 120 OCT 98
 CHECK
 JAF 120 OCT 98
 CHECK
 CMH
 28 MAY 10
 CHECK
 0065737
 13
 DRAWING NUMBER
 3 OF 14
 GK SERIES CHART 2
 RELEASE NO. PR-23345
 REPLACES

REVISIONS

JAF 200915
 18 JUL 09
 28 MAY 10
 CMH
 28 MAY 10
 CMH

THIS DRAWING COVERS A PROPRIETARY ITEM AND IS THE PROPERTY OF MICRO SWITCH, A DIVISION OF HONEYWELL. THIS DRAWING IS NOT TO BE COPIED OR USED WITHOUT THE APPROVAL OF MICRO SWITCH. FED. MFG. CODE 91929 MICRO SWITCH a Honeywell Division		CATALOG LISTING SWITCH - DOOR INTERLOCK GK SERIES CHART 2	THIRD ANGLE PROJECTION SCALE 2 : 1 DO NOT SCALE PRINT TOLERANCES APPLY TO DESIGN UNITS. CONVERSIONS ARE ONLY FOR REFERENCE. UNLESS NOTED, TOLERANCES ARE: DIM. UNITS: INCH () / MILLIMETER (M) NO. PLACES: 2 () / 17.04 (M) ONE PLACE: 0.1 () / 0.254 (M) TWO PLACES: 0.01 () / 0.254 (M) THREE PLACES: 0.001 () / 0.127 (M) ANGLES: () / () DESIGN UNITS: <input checked="" type="checkbox"/> SI METRIC / <input type="checkbox"/> US CUSTOMARY WEIGHT 2,3 kg / 5 LB MAX
--	--	---	--

ANSI Y14.5M-1982 APPLIES



KEY CODE 1

M GK SERIES CHART 2

DRAWING NUMBER

PAGE

4 OF 14

ISSUE

13

RELEASE NO.

CO-93702

REPLACES

REVISED

DATE

BY

CHECKED

DATE

BY

DATE

BY

DATE

BY

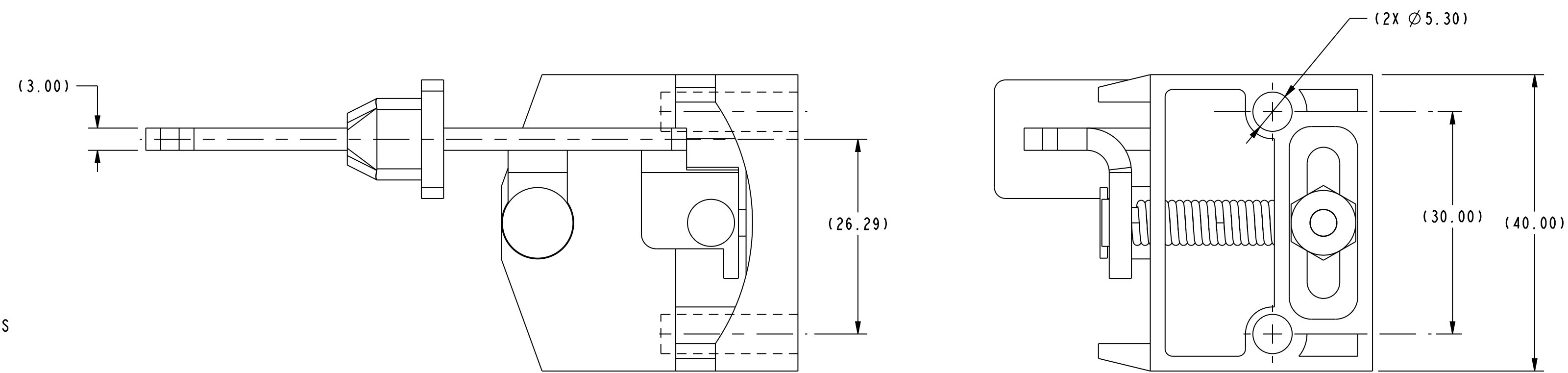
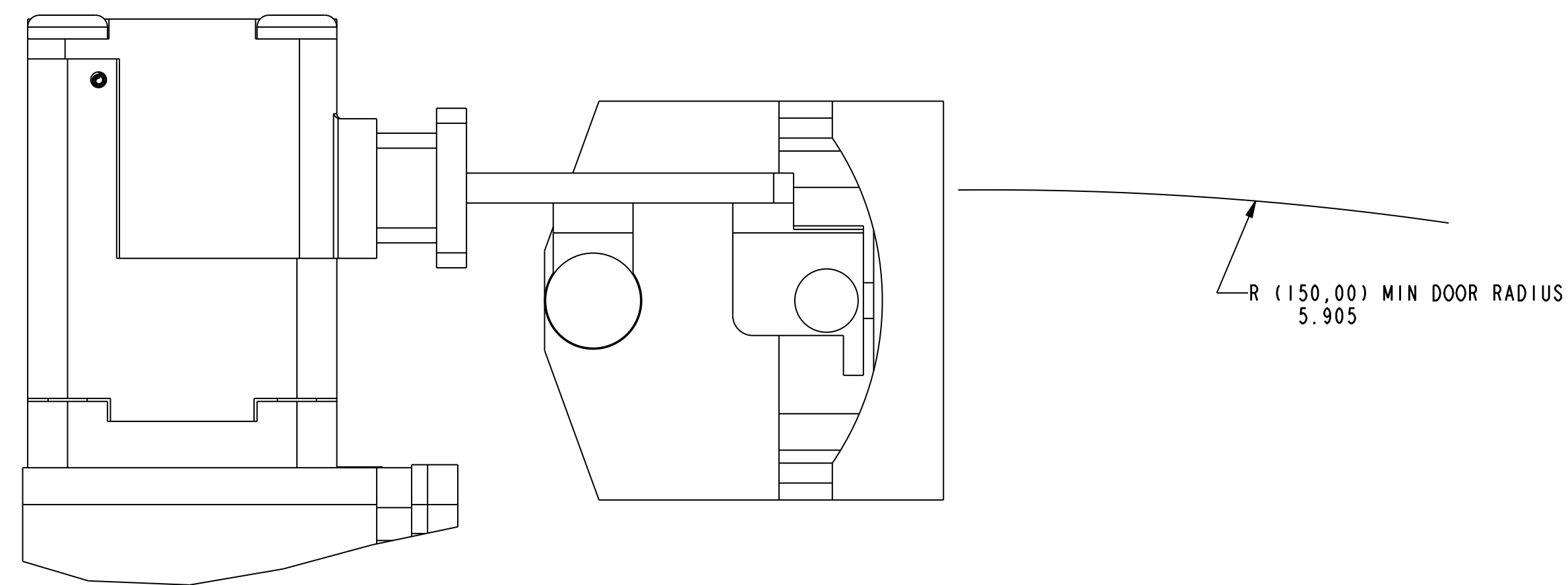
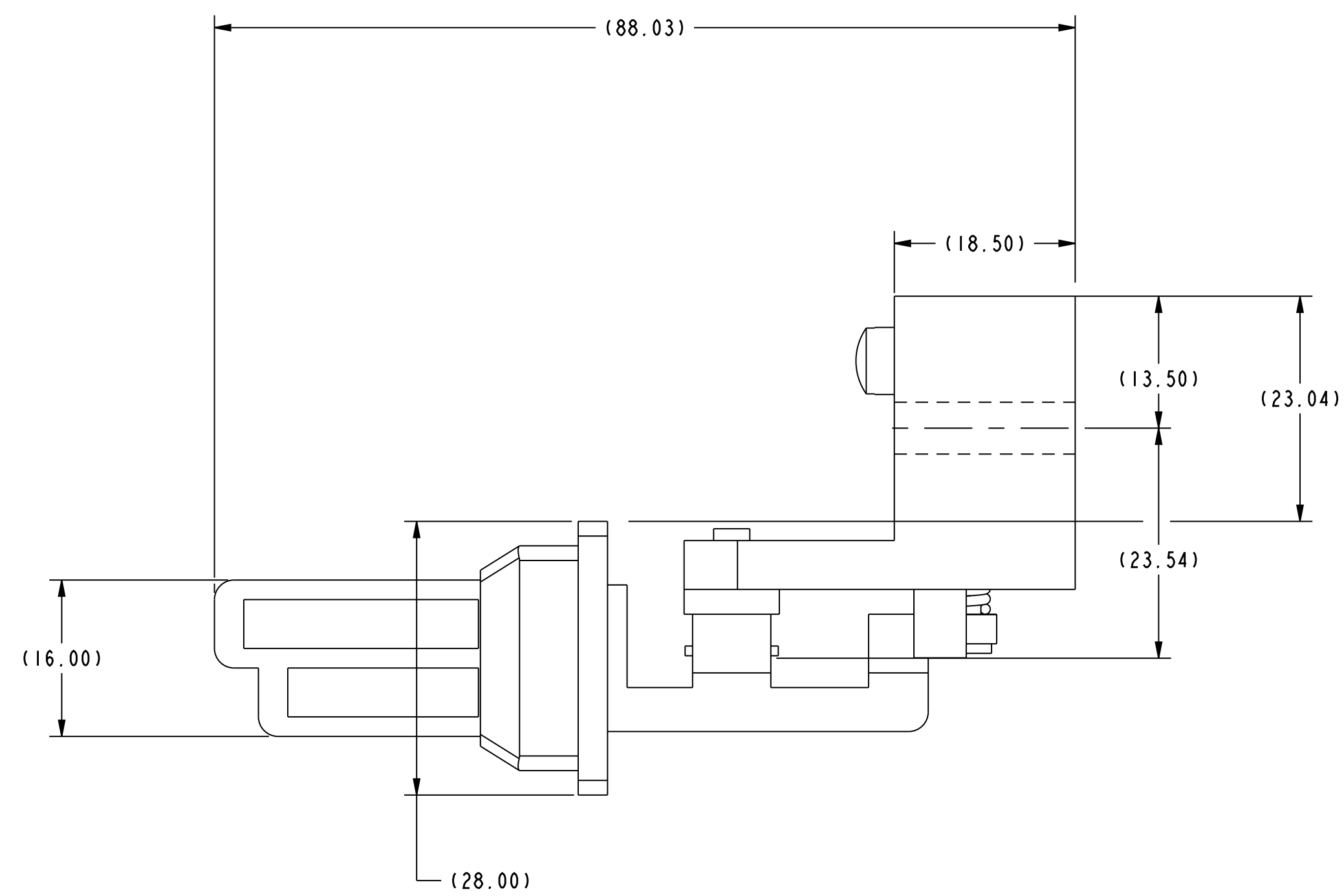
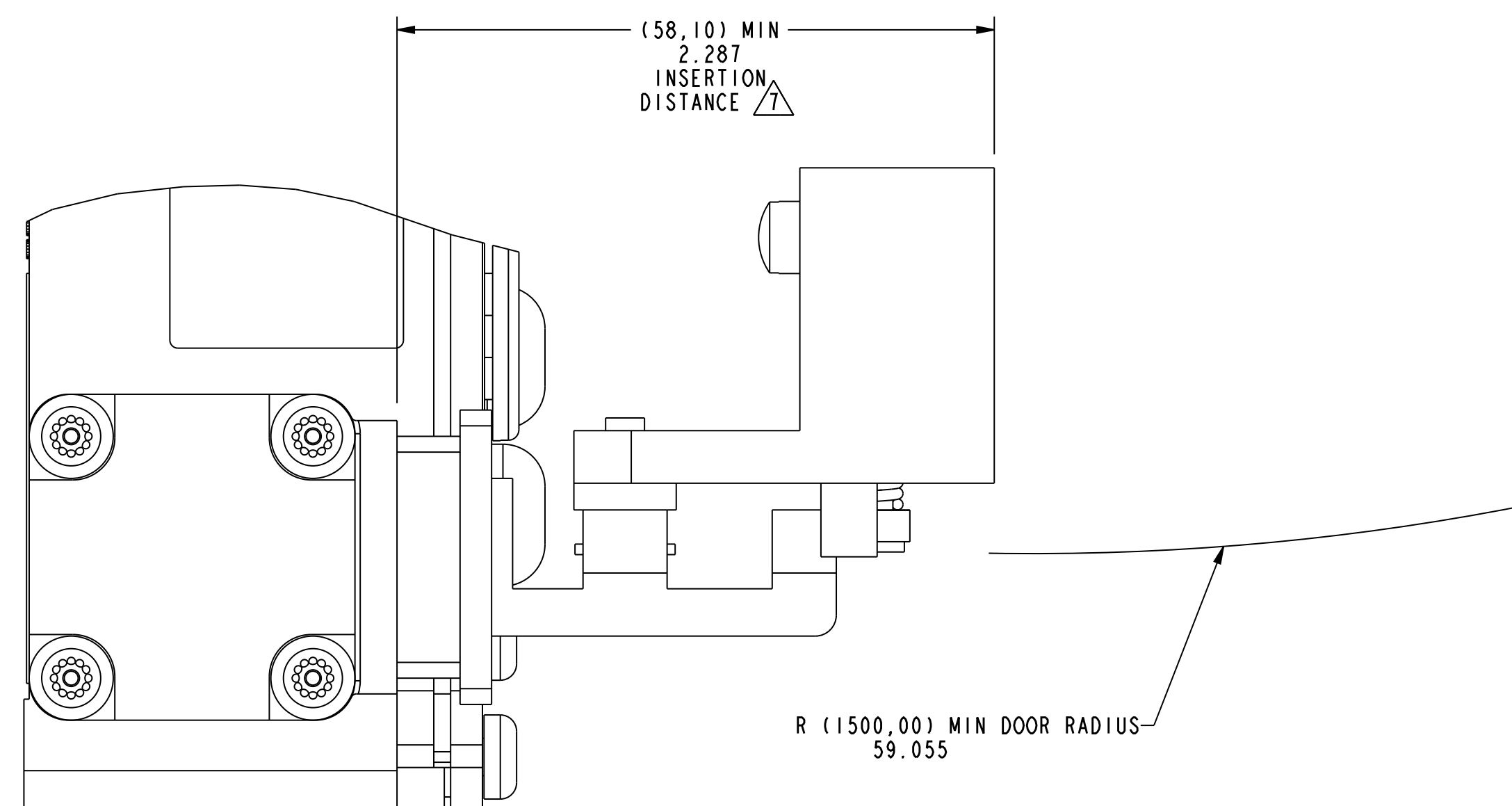
DATE

BY

DATE

THIS DRAWING COVERS A PROPRIETARY ITEM AND IS THE PROPERTY OF MICRO SWITCH, A DIVISION OF HONEYWELL. THIS DRAWING IS NOT TO BE COPIED OR USED WITHOUT THE APPROVAL OF MICRO SWITCH.		FEDERAL MANUFACTURING CODE 91929	
MICRO SWITCH a Honeywell Division		CATALOG LISTING	
SWITCH - DOOR INTERLOCK		GK SERIES CHART 2	
DESIGN UNITS <input checked="" type="checkbox"/> SI METRIC <input type="checkbox"/> US CUSTOMARY		WEIGHT 2,3 kg / 5 LB MAX	

THIRD ANGLE PROJECTION			
SCALE 2 : 1			
DO NOT SCALE PRINT			
TOLERANCES			
APPLY TO DESIGN UNITS. CONVERSIONS ARE ONLY FOR REFERENCE. UNLESS NOTED, TOLERANCES ARE:			
NO PLACES	2	17.00	0.01
ONE PLACE	0.1	0.001	0.0005
TWO PLACES	0.01	0.0001	0.00005
THREE PLACES	0.001	0.00001	0.000005
ANGLES			

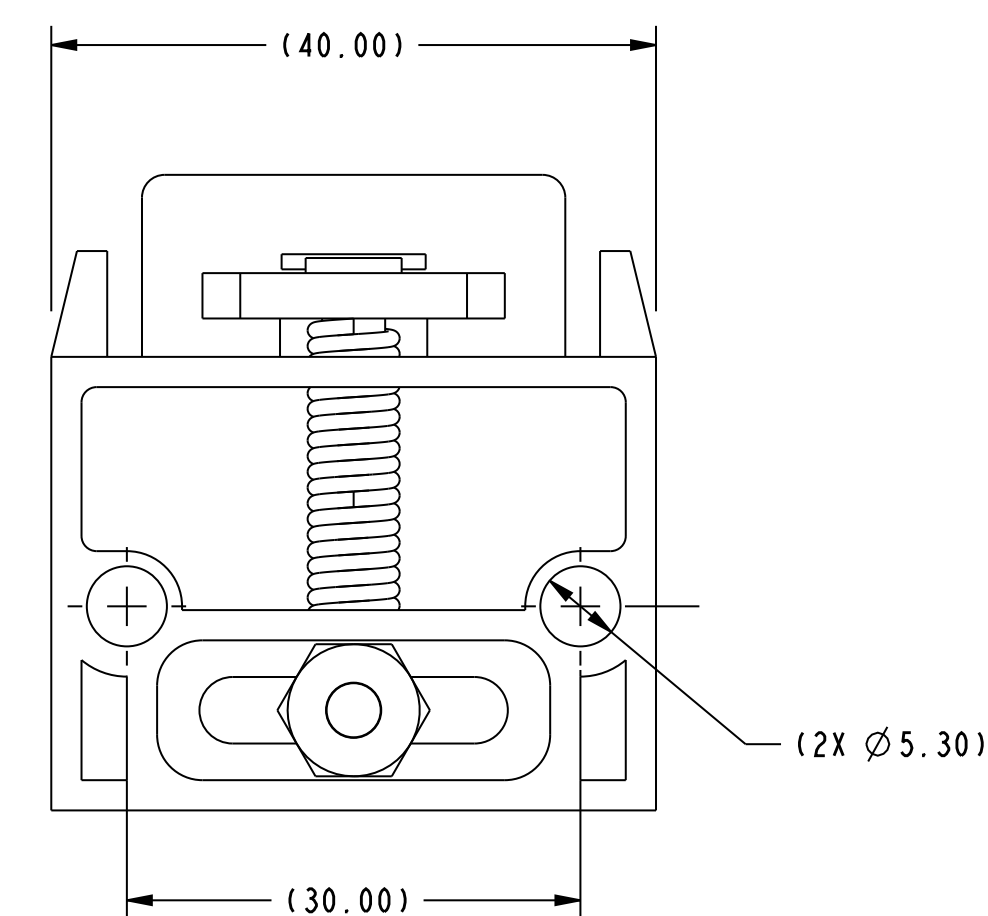
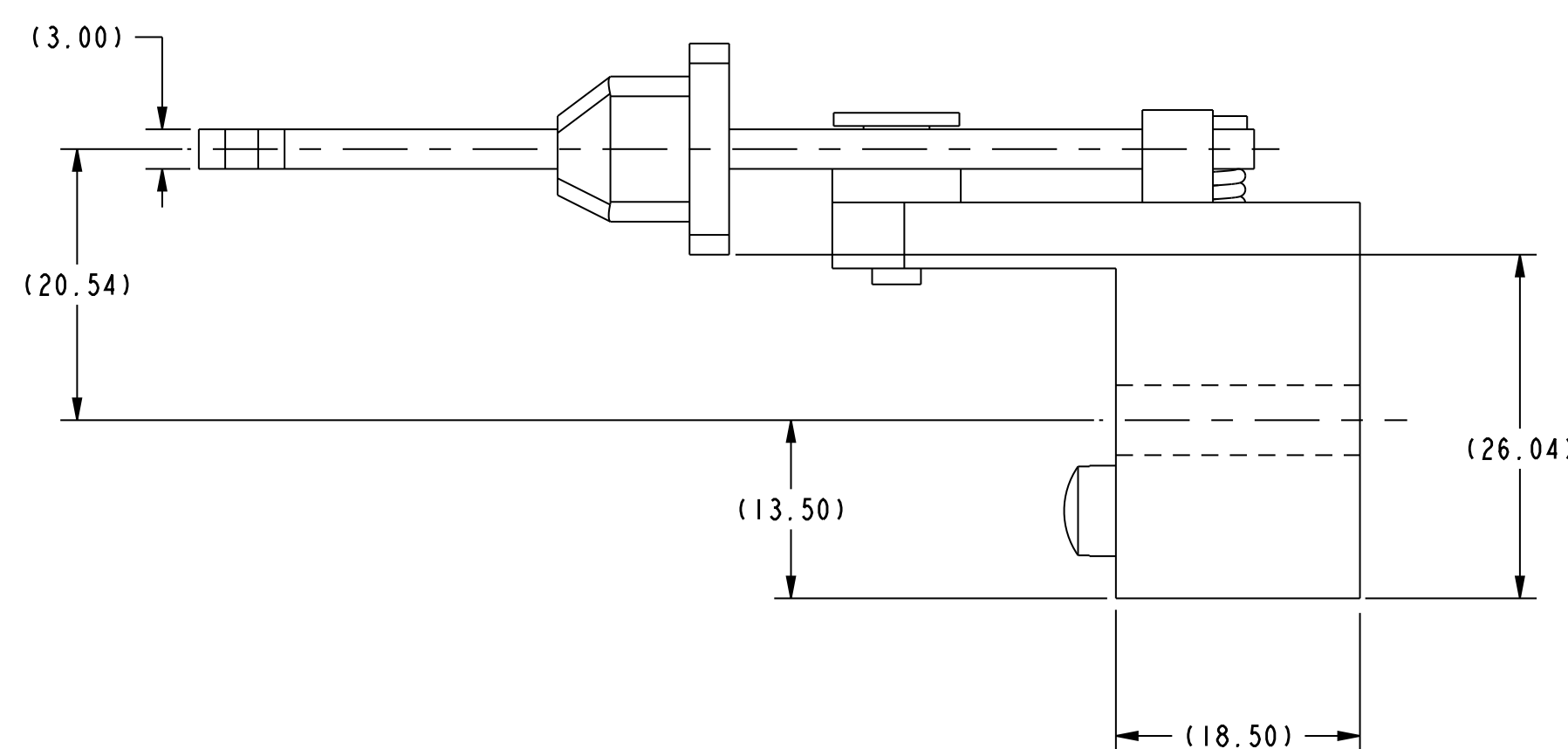
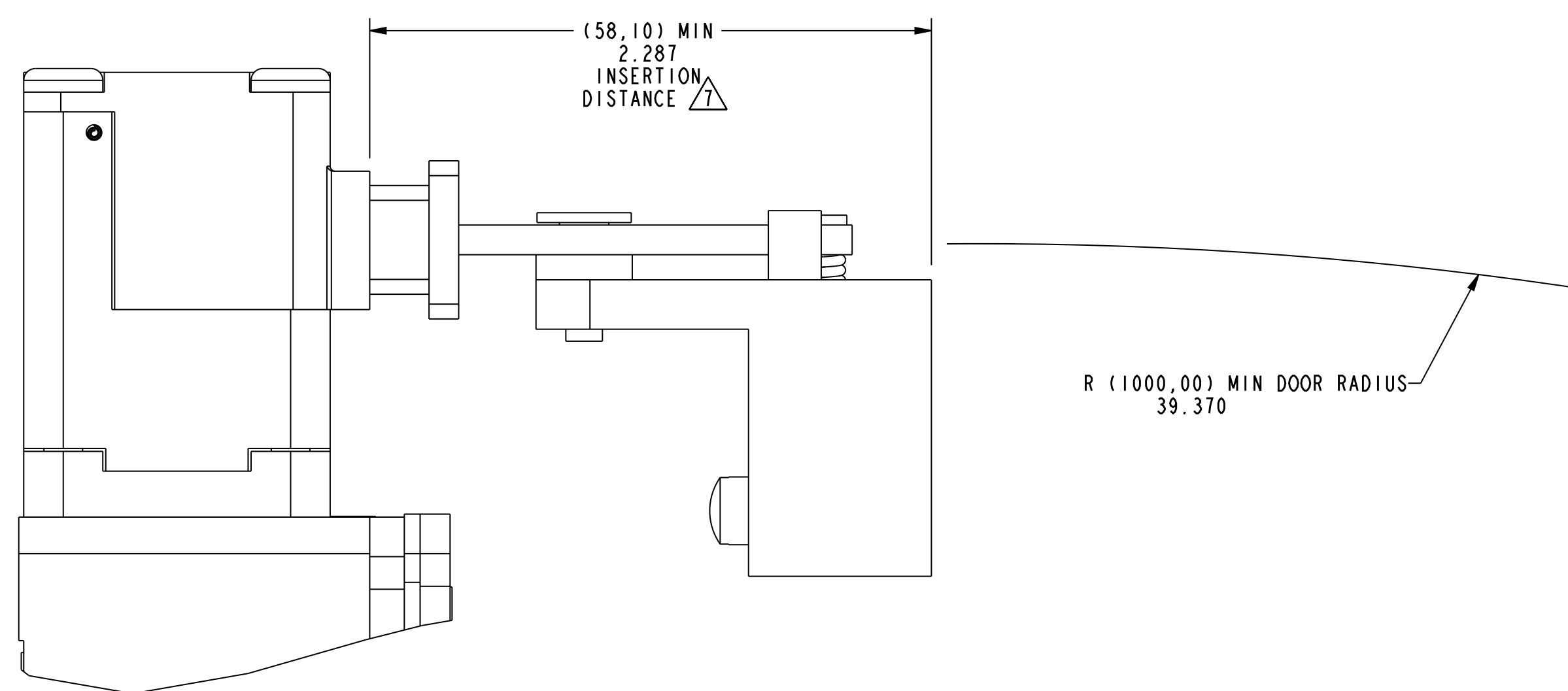
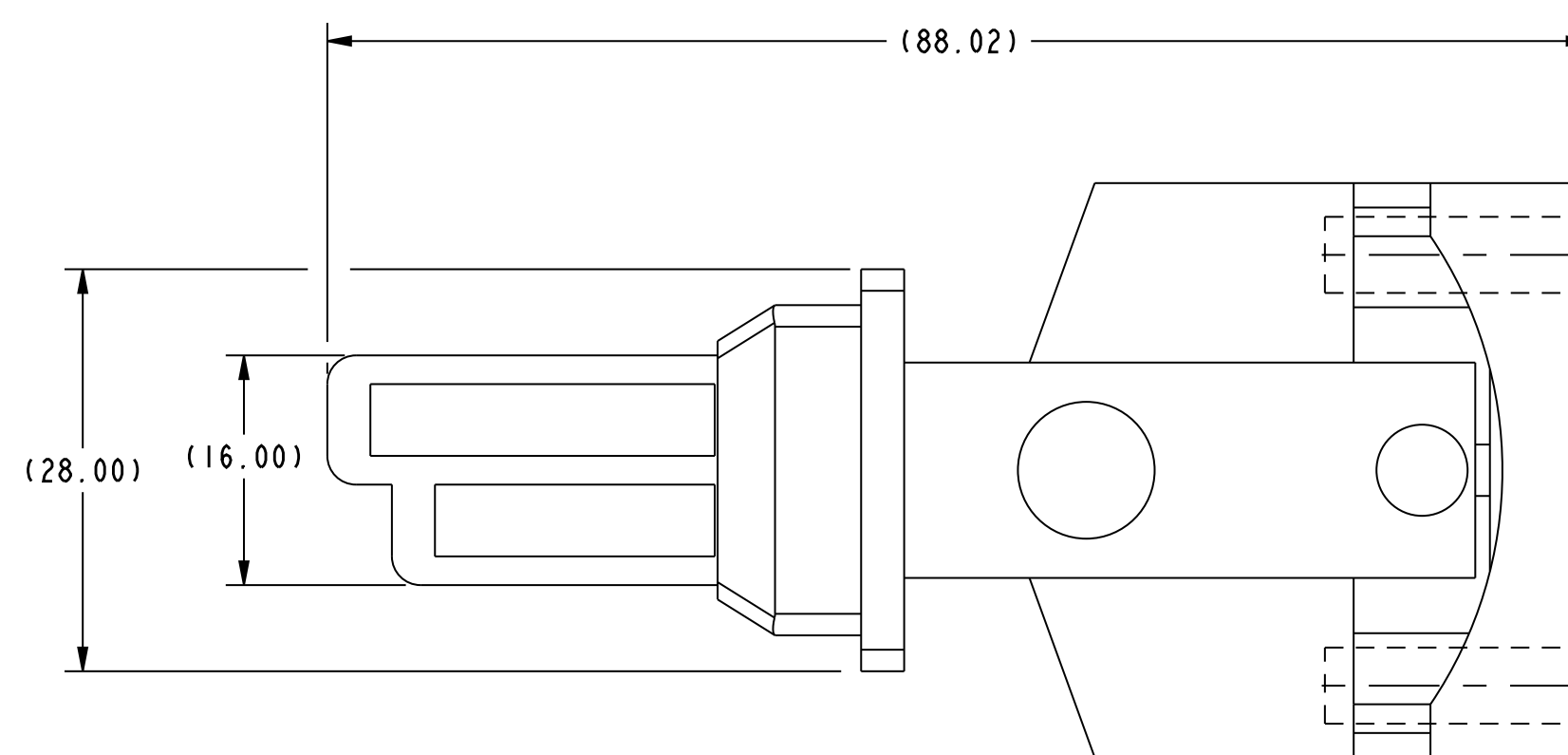
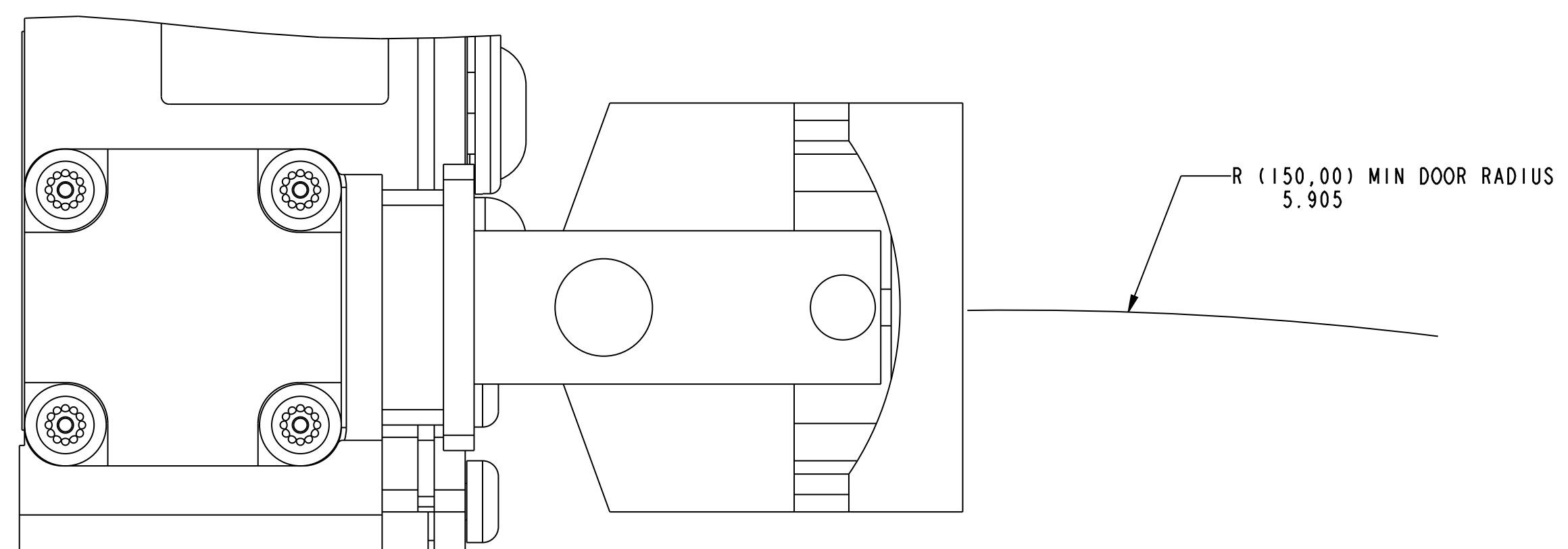


KEY CODE 3

PTC/CAD
DRAWN
SAV 120 OCT 98
CHECK
JAF 120 OCT 98
CHECK
CMH
REVISIONS
DATE BY
13
DRAWING NUMBER
M GK SERIES CHART 2
PAGE 6 OF 14
RELEASE NO. CO-93702
REPLACES

THIS DRAWING COVERS A PROPRIETARY ITEM AND IS THE PROPERTY OF MICRO SWITCH, A DIVISION OF HONEYWELL. THIS DRAWING IS NOT TO BE COPIED OR USED WITHOUT THE APPROVAL OF MICRO SWITCH.		CATALOG LISTING	
FED. MFG. CODE 91929		SI METRIC	
MICRO SWITCH a Honeywell Division		US CUSTOMER	
SWITCH - DOOR INTERLOCK		GK SERIES CHART 2	
DESIGN UNITS		WEIGHT 2,3 kg / 5 LB MAX	

THIRD ANGLE PROJECTION																				
SCALE 2 : 1																				
DO NOT SCALE PRINT																				
TOLERANCES																				
APPLY TO DESIGN UNITS. CONVERSIONS ARE ONLY FOR REFERENCE. UNLESS NOTED, TOLERANCES ARE:																				
<table border="1"> <tr> <th>NO. PLACES</th> <th>MM</th> <th>INCH</th> <th>MM</th> <th>INCH</th> </tr> <tr> <td>ONE PLACE</td> <td>±0.1</td> <td>±0.004</td> <td>±0.05</td> <td>±0.002</td> </tr> <tr> <td>TWO PLACES</td> <td>±0.02</td> <td>±0.0008</td> <td>±0.025</td> <td>±0.001</td> </tr> <tr> <td>THREE PLACES</td> <td>±0.005</td> <td>±0.0002</td> <td>±0.015</td> <td>±0.0005</td> </tr> </table>	NO. PLACES	MM	INCH	MM	INCH	ONE PLACE	±0.1	±0.004	±0.05	±0.002	TWO PLACES	±0.02	±0.0008	±0.025	±0.001	THREE PLACES	±0.005	±0.0002	±0.015	±0.0005
NO. PLACES	MM	INCH	MM	INCH																
ONE PLACE	±0.1	±0.004	±0.05	±0.002																
TWO PLACES	±0.02	±0.0008	±0.025	±0.001																
THREE PLACES	±0.005	±0.0002	±0.015	±0.0005																



KEY CODE 4

PTC/CAD
DRAWN
SAV 120 OCT 98
CHECK
JAF 120 OCT 98
CHECK
CMH
REVISIONS
DATE BY
13
DRAWING NUMBER
M GK SERIES CHART 2
PAGE 7 OF 14
RELEASE NO. CO-93702
REPLACES

THIS DRAWING COVERS A PROPRIETARY ITEM AND IS THE PROPERTY OF MICRO SWITCH, A DIVISION OF HONEYWELL. THIS DRAWING IS NOT TO BE COPIED OR USED WITHOUT THE APPROVAL OF MICRO SWITCH. FED. MFG. CODE 91929 MICRO SWITCH a Honeywell Division		CATALOG LISTING SWITCH - DOOR INTERLOCK GK SERIES CHART 2	THIRD ANGLE PROJECTION SCALE 2 : 1 DO NOT SCALE PRINT TOLERANCES APPLY TO DESIGN UNITS. CONVERSIONS ARE ONLY FOR REFERENCE, UNLESS NOTED. TOLERANCES ARE: DIM. UNITS: INCH FRACTIONS: 1/16, 1/8, 3/16, 1/4, 3/8, 1/2, 5/8, 3/4, 7/8, 1, 1 1/8, 1 1/4, 1 3/8, 1 1/2, 1 3/4, 2, 2 1/4, 2 3/4, 3, 3 1/4, 3 3/4, 4, 4 1/4, 4 3/4, 5, 5 1/4, 5 3/4, 6, 6 1/4, 6 3/4, 7, 7 1/4, 7 3/4, 8, 8 1/4, 8 3/4, 9, 9 1/4, 9 3/4, 10, 10 1/4, 10 3/4, 11, 11 1/4, 11 3/4, 12, 12 1/4, 12 3/4, 13, 13 1/4, 13 3/4, 14, 14 1/4, 14 3/4, 15, 15 1/4, 15 3/4, 16, 16 1/4, 16 3/4, 17, 17 1/4, 17 3/4, 18, 18 1/4, 18 3/4, 19, 19 1/4, 19 3/4, 20, 20 1/4, 20 3/4, 21, 21 1/4, 21 3/4, 22, 22 1/4, 22 3/4, 23, 23 1/4, 23 3/4, 24, 24 1/4, 24 3/4, 25, 25 1/4, 25 3/4, 26, 26 1/4, 26 3/4, 27, 27 1/4, 27 3/4, 28, 28 1/4, 28 3/4, 29, 29 1/4, 29 3/4, 30, 30 1/4, 30 3/4, 31, 31 1/4, 31 3/4, 32, 32 1/4, 32 3/4, 33, 33 1/4, 33 3/4, 34, 34 1/4, 34 3/4, 35, 35 1/4, 35 3/4, 36, 36 1/4, 36 3/4, 37, 37 1/4, 37 3/4, 38, 38 1/4, 38 3/4, 39, 39 1/4, 39 3/4, 40, 40 1/4, 40 3/4, 41, 41 1/4, 41 3/4, 42, 42 1/4, 42 3/4, 43, 43 1/4, 43 3/4, 44, 44 1/4, 44 3/4, 45, 45 1/4, 45 3/4, 46, 46 1/4, 46 3/4, 47, 47 1/4, 47 3/4, 48, 48 1/4, 48 3/4, 49, 49 1/4, 49 3/4, 50, 50 1/4, 50 3/4, 51, 51 1/4, 51 3/4, 52, 52 1/4, 52 3/4, 53, 53 1/4, 53 3/4, 54, 54 1/4, 54 3/4, 55, 55 1/4, 55 3/4, 56, 56 1/4, 56 3/4, 57, 57 1/4, 57 3/4, 58, 58 1/4, 58 3/4, 59, 59 1/4, 59 3/4, 60, 60 1/4, 60 3/4, 61, 61 1/4, 61 3/4, 62, 62 1/4, 62 3/4, 63, 63 1/4, 63 3/4, 64, 64 1/4, 64 3/4, 65, 65 1/4, 65 3/4, 66, 66 1/4, 66 3/4, 67, 67 1/4, 67 3/4, 68, 68 1/4, 68 3/4, 69, 69 1/4, 69 3/4, 70, 70 1/4, 70 3/4, 71, 71 1/4, 71 3/4, 72, 72 1/4, 72 3/4, 73, 73 1/4, 73 3/4, 74, 74 1/4, 74 3/4, 75, 75 1/4, 75 3/4, 76, 76 1/4, 76 3/4, 77, 77 1/4, 77 3/4, 78, 78 1/4, 78 3/4, 79, 79 1/4, 79 3/4, 80, 80 1/4, 80 3/4, 81, 81 1/4, 81 3/4, 82, 82 1/4, 82 3/4, 83, 83 1/4, 83 3/4, 84, 84 1/4, 84 3/4, 85, 85 1/4, 85 3/4, 86, 86 1/4, 86 3/4, 87, 87 1/4, 87 3/4, 88, 88 1/4, 88 3/4, 89, 89 1/4, 89 3/4, 90, 90 1/4, 90 3/4, 91, 91 1/4, 91 3/4, 92, 92 1/4, 92 3/4, 93, 93 1/4, 93 3/4, 94, 94 1/4, 94 3/4, 95, 95 1/4, 95 3/4, 96, 96 1/4, 96 3/4, 97, 97 1/4, 97 3/4, 98, 98 1/4, 98 3/4, 99, 99 1/4, 99 3/4, 100, 100 1/4, 100 3/4, 101, 101 1/4, 101 3/4, 102, 102 1/4, 102 3/4, 103, 103 1/4, 103 3/4, 104, 104 1/4, 104 3/4, 105, 105 1/4, 105 3/4, 106, 106 1/4, 106 3/4, 107, 107 1/4, 107 3/4, 108, 108 1/4, 108 3/4, 109, 109 1/4, 109 3/4, 110, 110 1/4, 110 3/4, 111, 111 1/4, 111 3/4, 112, 112 1/4, 112 3/4, 113, 113 1/4, 113 3/4, 114, 114 1/4, 114 3/4, 115, 115 1/4, 115 3/4, 116, 116 1/4, 116 3/4, 117, 117 1/4, 117 3/4, 118, 118 1/4, 118 3/4, 119, 119 1/4, 119 3/4, 120, 120 1/4, 120 3/4, 121, 121 1/4, 121 3/4, 122, 122 1/4, 122 3/4, 123, 123 1/4, 123 3/4, 124, 124 1/4, 124 3/4, 125, 125 1/4, 125 3/4, 126, 126 1/4, 126 3/4, 127, 127 1/4, 127 3/4, 128, 128 1/4, 128 3/4, 129, 129 1/4, 129 3/4, 130, 130 1/4, 130 3/4, 131, 131 1/4, 131 3/4, 132, 132 1/4, 132 3/4, 133, 133 1/4, 133 3/4, 134, 134 1/4, 134 3/4, 135, 135 1/4, 135 3/4, 136, 136 1/4, 136 3/4, 137, 137 1/4, 137 3/4, 138, 138 1/4, 138 3/4, 139, 139 1/4, 139 3/4, 140, 140 1/4, 140 3/4, 141, 141 1/4, 141 3/4, 142, 142 1/4, 142 3/4, 143, 143 1/4, 143 3/4, 144, 144 1/4, 144 3/4, 145, 145 1/4, 145 3/4, 146, 146 1/4, 146 3/4, 147, 147 1/4, 147 3/4, 148, 148 1/4, 148 3/4, 149, 149 1/4, 149 3/4, 150, 150 1/4, 150 3/4, 151, 151 1/4, 151 3/4, 152, 152 1/4, 152 3/4, 153, 153 1/4, 153 3/4, 154, 154 1/4, 154 3/4, 155, 155 1/4, 155 3/4, 156, 156 1/4, 156 3/4, 157, 157 1/4, 157 3/4, 158, 158 1/4, 158 3/4, 159, 159 1/4, 159 3/4, 160, 160 1/4, 160 3/4, 161, 161 1/4, 161 3/4, 162, 162 1/4, 162 3/4, 163, 163 1/4, 163 3/4, 164, 164 1/4, 164 3/4, 165, 165 1/4, 165 3/4, 166, 166 1/4, 166 3/4, 167, 167 1/4, 167 3/4, 168, 168 1/4, 168 3/4, 169, 169 1/4, 169 3/4, 170, 170 1/4, 170 3/4, 171, 171 1/4, 171 3/4, 172, 172 1/4, 172 3/4, 173, 173 1/4, 173 3/4, 174, 174 1/4, 174 3/4, 175, 175 1/4, 175 3/4, 176, 176 1/4, 176 3/4, 177, 177 1/4, 177 3/4, 178, 178 1/4, 178 3/4, 179, 179 1/4, 179 3/4, 180, 180 1/4, 180 3/4, 181, 181 1/4, 181 3/4, 182, 182 1/4, 182 3/4, 183, 183 1/4, 183 3/4, 184, 184 1/4, 184 3/4, 185, 185 1/4, 185 3/4, 186, 186 1/4, 186 3/4, 187, 187 1/4, 187 3/4, 188, 188 1/4, 188 3/4, 189, 189 1/4, 189 3/4, 190, 190 1/4, 190 3/4, 191, 191 1/4, 191 3/4, 192, 192 1/4, 192 3/4, 193, 193 1/4, 193 3/4, 194, 194 1/4, 194 3/4, 195, 195 1/4, 195 3/4, 196, 196 1/4, 196 3/4, 197, 197 1/4, 197 3/4, 198, 198 1/4, 198 3/4, 199, 199 1/4, 199 3/4, 200, 200 1/4, 200 3/4, 201, 201 1/4, 201 3/4, 202, 202 1/4, 202 3/4, 203, 203 1/4, 203 3/4, 204, 204 1/4, 204 3/4, 205, 205 1/4, 205 3/4, 206, 206 1/4, 206 3/4, 207, 207 1/4, 207 3/4, 208, 208 1/4, 208 3/4, 209, 209 1/4, 209 3/4, 210, 210 1/4, 210 3/4, 211, 211 1/4, 211 3/4, 212, 212 1/4, 212 3/4, 213, 213 1/4, 213 3/4, 214, 214 1/4, 214 3/4, 215, 215 1/4, 215 3/4, 216, 216 1/4, 216 3/4, 217, 217 1/4, 217 3/4, 218, 218 1/4, 218 3/4, 219, 219 1/4, 219 3/4, 220, 220 1/4, 220 3/4, 221, 221 1/4, 221 3/4, 222, 222 1/4, 222 3/4, 223, 223 1/4, 223 3/4, 224, 224 1/4, 224 3/4, 225, 225 1/4, 225 3/4, 226, 226 1/4, 226 3/4, 227, 227 1/4, 227 3/4, 228, 228 1/4, 228 3/4, 229, 229 1/4, 229 3/4, 230, 230 1/4, 230 3/4, 231, 231 1/4, 231 3/4, 232, 232 1/4, 232 3/4, 233, 233 1/4, 233 3/4, 234, 234 1/4, 234 3/4, 235, 235 1/4, 235 3/4, 236, 236 1/4, 236 3/4, 237, 237 1/4, 237 3/4, 238, 238 1/4, 238 3/4, 239, 239 1/4, 239 3/4, 240, 240 1/4, 240 3/4, 241, 241 1/4, 241 3/4, 242, 242 1/4, 242 3/4, 243, 243 1/4, 243 3/4, 244, 244 1/4, 244 3/4, 245, 245 1/4, 245 3/4, 246, 246 1/4, 246 3/4, 247, 247 1/4, 247 3/4, 248, 248 1/4, 248 3/4, 249, 249 1/4, 249 3/4, 250, 250 1/4, 250 3/4, 251, 251 1/4, 251 3/4, 252, 252 1/4, 252 3/4, 253, 253 1/4, 253 3/4, 254, 254 1/4, 254 3/4, 255, 255 1/4, 255 3/4, 256, 256 1/4, 256 3/4, 257, 257 1/4, 257 3/4, 258, 258 1/4, 258 3/4, 259, 259 1/4, 259 3/4, 260, 260 1/4, 260 3/4, 261, 261 1/4, 261 3/4, 262, 262 1/4, 262 3/4, 263, 263 1/4, 263 3/4, 264, 264 1/4, 264 3/4, 265, 265 1/4, 265 3/4, 266, 266 1/4, 266 3/4, 267, 267 1/4, 267 3/4, 268, 268 1/4, 268 3/4, 269, 269 1/4, 269 3/4, 270, 270 1/4, 270 3/4, 271, 271 1/4, 271 3/4, 272, 272 1/4, 272 3/4, 273, 273 1/4, 273 3/4, 274, 274 1/4, 274 3/4, 275, 275 1/4, 275 3/4, 276, 276 1/4, 276 3/4, 277, 277 1/4, 277 3/4, 278, 278 1/4, 278 3/4, 279, 279 1/4, 279 3/4, 280, 280 1/4, 280 3/4, 281, 281 1/4, 281 3/4, 282, 282 1/4, 282 3/4, 283, 283 1/4, 283 3/4, 284, 284 1/4, 284 3/4, 285, 285 1/4, 285 3/4, 286, 286 1/4, 286 3/4, 287, 287 1/4, 287 3/4, 288, 288 1/4, 288 3/4, 289, 289 1/4, 289 3/4, 290, 290 1/4, 290 3/4, 291, 291 1/4, 291 3/4, 292, 292 1/4, 292 3/4, 293, 293 1/4, 293 3/4, 294, 294 1/4, 294 3/4, 295, 295 1/4, 295 3/4, 296, 296 1/4, 296 3/4, 297, 297 1/4, 297 3/4, 298, 298 1/4, 298 3/4, 299, 299 1/4, 299 3/4, 300, 300 1/4, 300 3/4, 301, 301 1/4, 301 3/4, 302, 302 1/4, 302 3/4, 303, 303 1/4, 303 3/4, 304, 304 1/4, 304 3/4, 305, 305 1/4, 305 3/4, 306, 306 1/4, 306 3/4, 307, 307 1/4, 307 3/4, 308, 308 1/4, 308 3/4, 309, 309 1/4, 309 3/4, 310, 310 1/4, 310 3/4, 311, 311 1/4, 311 3/4, 312, 312 1/4, 312 3/4, 313, 313 1/4, 313 3/4, 314, 314 1/4, 314 3/4, 315, 315 1/4, 315 3/4, 316, 316 1/4, 316 3/4, 317, 317 1/4, 317 3/4, 318, 318 1/4, 318 3/4, 319, 319 1/4, 319 3/4, 320, 320 1/4, 320 3/4, 321, 321 1/4, 321 3/4, 322, 322 1/4, 322 3/4, 323, 323 1/4, 323 3/4, 324, 324 1/4, 324 3/4, 325, 325 1/4, 325 3/4, 326, 326 1/4, 326 3/4, 327, 327 1/4, 327 3/4, 328, 328 1/4, 328 3/4, 329, 329 1/4, 329 3/4, 330, 330 1/4, 330 3/4, 331, 331 1/4, 331 3/4, 332, 332 1/4, 332 3/4, 333, 333 1/4, 333 3/4, 334, 334 1/4, 334 3/4, 335, 335 1/4, 335 3/4, 336, 336 1/4, 336 3/4, 337, 337 1/4, 337 3/4, 338, 338 1/4, 338 3/4, 339, 339 1/4, 339 3/4, 340, 340 1/4, 340 3/4, 341, 341 1/4, 341 3/4, 342, 342 1/4, 342 3/4, 343, 343 1/4, 343 3/4, 344, 344 1/4, 344 3/4, 345, 345 1/4, 345 3/4, 346, 346 1/4, 346 3/4, 347, 347 1/4, 347 3/4, 348, 348 1/4, 348 3/4, 349, 349 1/4, 349 3/4, 350, 350 1/4, 350 3/4, 351, 351 1/4, 351 3/4, 352, 352 1/4, 352 3/4, 353, 353 1/4, 353 3/4, 354, 354 1/4, 354 3/4, 355, 355 1/4, 355 3/4, 356, 356 1/4, 356 3/4, 357, 357 1/4, 357 3/4, 358, 358 1/4, 358 3/4, 359, 359 1/4, 359 3/4, 360, 360 1/4, 360 3/4, 361, 361 1/4, 361 3/4, 362, 362 1/4, 362 3/4, 363, 363 1/4, 363 3/4, 364, 364 1/4, 364 3/4, 365, 365 1/4, 365 3/4, 366, 366 1/4, 366 3/4, 367, 367 1/4, 367 3/4, 368, 368 1/4, 368 3/4, 369, 369 1/4, 369 3/4, 370, 370 1/4, 370 3/4, 371, 371 1/4, 371 3/4, 372, 372 1/4, 372 3/4, 373, 373 1/4, 373 3/4, 374, 374 1/4, 374 3/4, 375, 375 1/4, 375 3/4, 376, 376 1/4, 376 3/4, 377, 377 1/4, 377 3/4, 378, 378 1/4, 378 3/4, 379, 379 1/4, 379 3/4, 380, 380 1/4, 380 3/4, 381, 381 1/4, 381 3/4, 382, 382 1/4, 382 3/4, 383, 383 1/4, 383 3/4, 384, 384 1/4, 384 3/4, 385, 385 1/4, 385 3/4, 386, 386 1/4, 386 3/4, 387, 387 1/4, 387 3/4, 388, 388 1/4, 388 3/4, 389, 389 1/4, 389 3/4, 390, 390 1/4, 390 3/4, 391, 391 1/4, 391 3/4, 392, 392 1/4, 392 3/4, 393, 393 1/4, 393 3/4, 394, 394 1/4, 394 3/4, 395, 395 1/4, 395 3/4, 396, 396 1/4, 396 3/4, 397, 397 1/4, 397 3/4, 398, 398 1/4, 398 3/4, 399, 399 1/4, 399 3/4, 400, 400 1/4, 400 3/4, 401, 401 1/4, 401 3/4, 402, 402 1/4, 402 3/4, 403, 403 1/4, 403 3/4, 404, 404 1/4, 404 3/4, 405, 405 1/4, 405 3/4, 406, 406 1/4, 406 3/4, 407, 407 1/4, 407 3/4, 408, 408 1/4, 408 3/4, 409, 409 1/4, 409 3/4, 410, 410 1/4, 410 3/4, 411, 411 1/4, 411 3/4, 412, 412 1/4, 412 3/4, 413, 413 1/4, 413 3/4, 414, 414 1/4, 414 3/4, 415, 415 1/4, 415 3/4, 416, 416 1/4, 416 3/4, 417, 417 1/4, 417 3/4, 418, 418 1/4, 418 3/4, 419, 419 1/4, 419 3/4, 420, 420 1/4, 420 3/4, 421, 421 1/4, 421 3/4, 422, 422 1/4, 422 3/4, 423, 423 1/4, 423 3/4, 424, 424 1/4, 424 3/4, 425, 425 1/4, 425 3/4, 426, 426 1/4, 426 3/4, 427, 427 1/4, 427 3/4, 428, 428 1/4, 428 3/4, 429, 429 1/4, 429 3/4, 430, 430 1/4, 430 3/4, 431, 431 1/4, 431 3/4, 432, 432 1/4, 432 3/4, 433, 433 1/4, 433 3/4, 434, 434 1/4, 434 3/4, 435, 435 1/4, 435 3/4, 436, 436 1/4, 436 3/4, 437, 437 1/4, 437 3/4, 438, 438 1/4, 438 3/4, 439, 439 1/4, 439 3/4, 440, 440 1/4, 440 3/4, 441, 441 1/4, 441 3/4, 442, 442 1/4, 442 3/4, 443, 443 1/4, 443 3/4, 444, 444 1/4, 444 3/4, 445, 445 1/4, 445 3/4, 446, 446 1/4, 446 3/4, 447, 447 1/4, 447 3/4, 448, 448 1/4, 448 3/4, 449, 449 1/4, 449 3/4, 450, 450 1/4, 450 3/4, 451, 451 1/4, 451 3/4, 452, 452 1/4, 452 3/4, 453, 453 1/4, 453 3/4, 454, 454 1/4, 454 3/4, 455, 455 1/4, 455 3/4, 456, 456 1/4, 456 3/4, 457, 457 1/4, 457 3/4, 458, 458 1/4, 458 3/4, 459, 459 1/4, 459 3/4, 460, 460 1/4, 460 3/4, 461, 461 1/4, 461 3/4, 462, 462 1/4, 462 3/4, 463, 463 1/4, 463 3/4, 464, 464 1/4, 464 3/4, 465, 465 1/4, 465 3/4, 466, 466 1/4, 466 3/4, 467, 467 1/4, 467 3/4, 468, 468 1/4, 468 3/4, 469, 469 1/4, 469 3/4, 470, 470 1/4, 470 3/4, 471, 471 1/4, 471 3/4, 472, 472 1/4, 472 3/4, 473, 473 1/4, 473 3/4, 474, 474 1/4, 474 3/4, 475, 475 1/4, 475 3/4, 476, 476 1/4, 476 3/4, 477, 477 1/4, 477 3/4, 478, 478 1/4, 478 3/4, 479, 479 1/4, 479 3/4, 480, 480 1/4, 480 3/4, 481, 481 1/4, 481 3/4, 482, 482 1/4, 482 3/4, 483, 483 1/4, 483 3/4, 484, 484 1/4, 484 3/4, 485, 485 1/4, 485 3/4, 486, 486 1/4, 486 3/4, 487, 487 1/4, 487 3/4, 488, 488 1/4, 488 3/4, 489, 489 1/4, 489 3/4, 490, 490 1/4, 490 3/4, 491, 491 1/4, 491 3/4, 492, 492 1/4, 492 3/4, 493, 493 1/4, 493 3/4, 494, 494 1/4, 494 3/4, 495, 495 1/4, 495 3/4, 496, 496 1/4, 496 3/4, 497, 497 1/4, 497 3/4, 498, 498 1/4, 498 3/4, 499, 499 1/4, 499 3/4, 500, 500 1/4, 500 3/4, 501, 501 1/4, 501 3/4, 502, 502 1/4, 502 3/4, 503, 503 1/4, 503 3/4, 504, 504 1/4, 504 3/4, 505, 505 1/4, 505 3/4, 506, 506 1/4, 506 3/4, 507, 507 1/4, 507 3
--	--	---	--

MICRO SWITCH
a Honeywell Division

FED. MFG. CODE 91929

**SWITCH -
DOOR INTERLOCK**

CATALOG LISTING

GK SERIES CHART 2

THIS DRAWING COVERS A PROPRIETARY ITEM AND IS THE PROPERTY OF MICRO SWITCH, A DIVISION OF HONEYWELL. THIS DRAWING IS NOT TO BE COPIED OR USED WITHOUT THE APPROVAL OF MICRO SWITCH.

CATALOG LISTING

GK SERIES CHART 2

PAGE 8 OF 14

RELEASE NO. CO-93702

REPLACES

ISSUE **13**

CHECK

REVISIONS

A	205975	RED	18 JUL 02
B	0065737	PRS	28 MAY 10

CMH

CHECK

20 OCT 98

JAF

CHECK

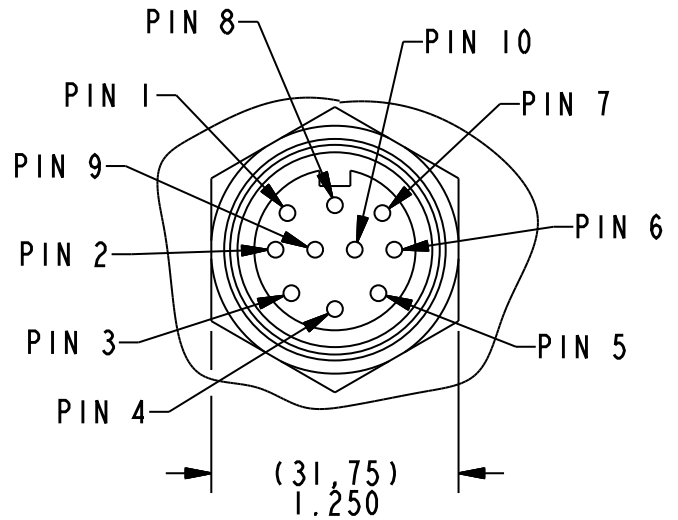
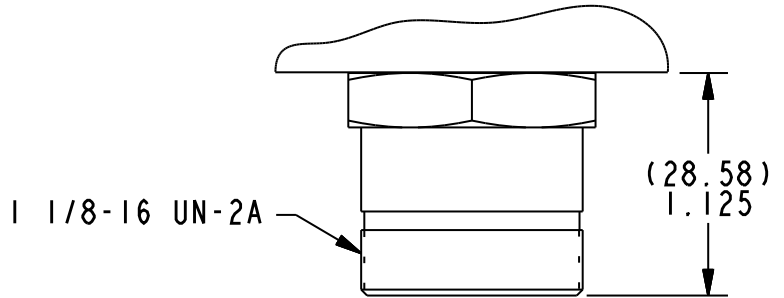
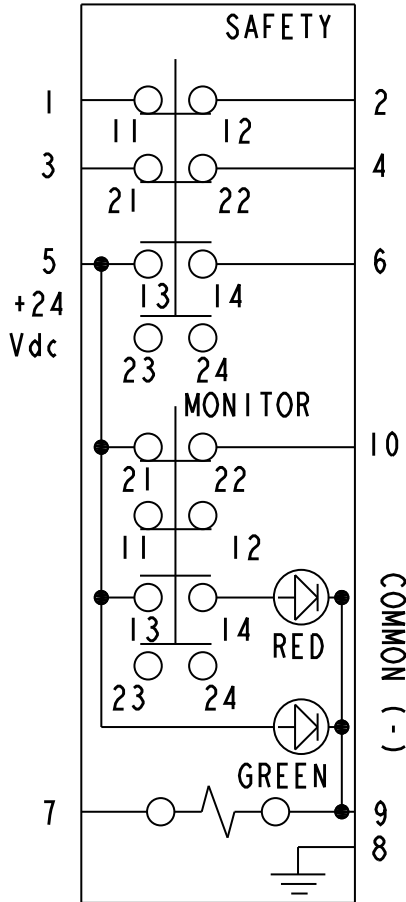
20 OCT 98

SAV

20 OCT 98

DRAWN

PTC/CAD



300V 7A
BRAD-HARRISON PART NO. 3R1006A21F010
OR EQUIVALENT

MODIFICATION CODE: F04

ANSI Y14.5M-1982 APPLIES

THIRD ANGLE PROJECTION				
SCALE		NONE		
DO NOT SCALE PRINT				
TOLERANCES				
APPLY TO DESIGN UNITS. CONVERSIONS ARE ONLY FOR REFERENCE. UNLESS NOTED, TOLERANCES ARE :				
	DIM.	TOL.	DIM.	TOL.
	mm	mm/in	in	mm/in
NO PLACES	X	1/64	X.X	0.07, 0.03
ONE PLACE	X.X	0.07-0.16	X.XX	0.387, 0.15
TWO PLACES	X.XX	0.157, 0.06	X.XXX	0.137, 0.05
THREE PLACES	X.XXX			
ANGLES				
SI METRIC		US CUSTOMARY		
DESIGN UNITS		<input checked="" type="checkbox"/>		
		<input type="checkbox"/>		
WEIGHT		2,3 kg / 5 LB MAX		

MICRO SWITCH
a Honeywell Division

FED. MFG. CODE 91929

**SWITCH -
DOOR INTERLOCK**

CATALOG LISTING

GK SERIES CHART 2

THIS DRAWING COVERS A PROPRIETARY ITEM AND IS THE PROPERTY OF MICRO SWITCH, A DIVISION OF HONEYWELL. THIS DRAWING IS NOT TO BE COPIED OR USED WITHOUT THE APPROVAL OF MICRO SWITCH.

CATALOG LISTING

GK SERIES CHART 2

PAGE 9 OF 14

RELEASE NO. CO-93702

REPLACES

ISSUE **13**

CHECK

REVISIONS

A	205975	RED	18 JUN 02
B	0065737	PRS	28 MAY 10

CMH

CHECK

20 OCT 98

JAF

CHECK

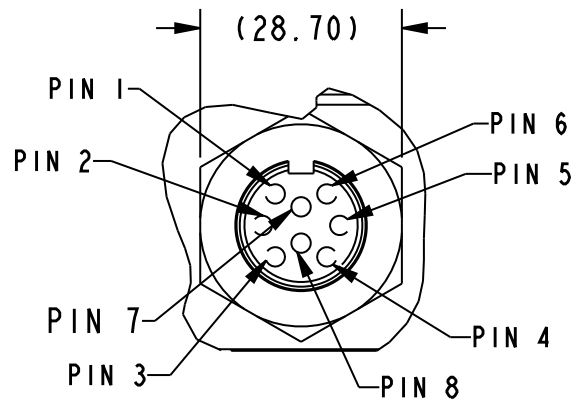
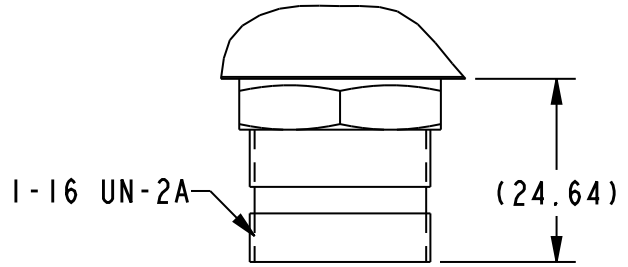
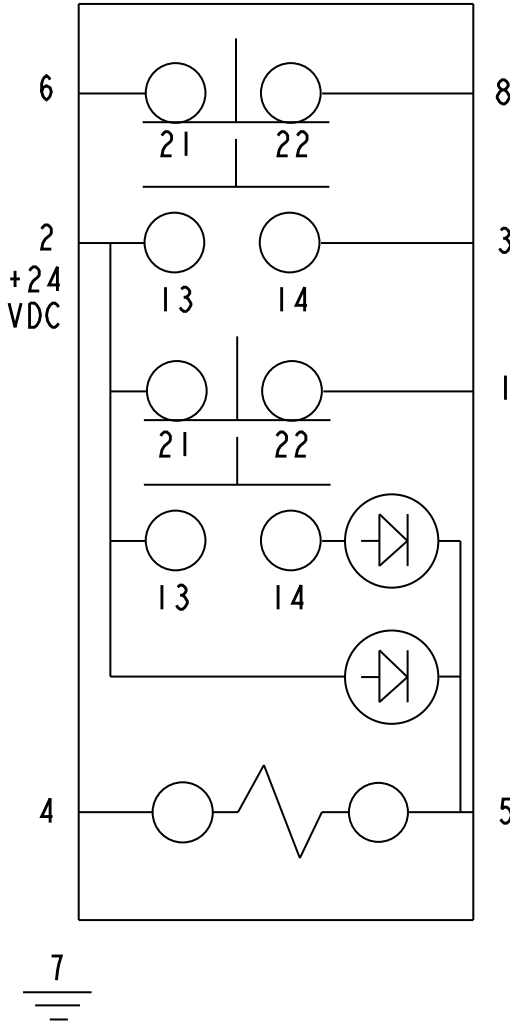
20 OCT 98

SAV

20 OCT 98

DRAWN

PTC/CAD



300V 7A
BRAD-HARRISON 43005 OR EQUIVALENT

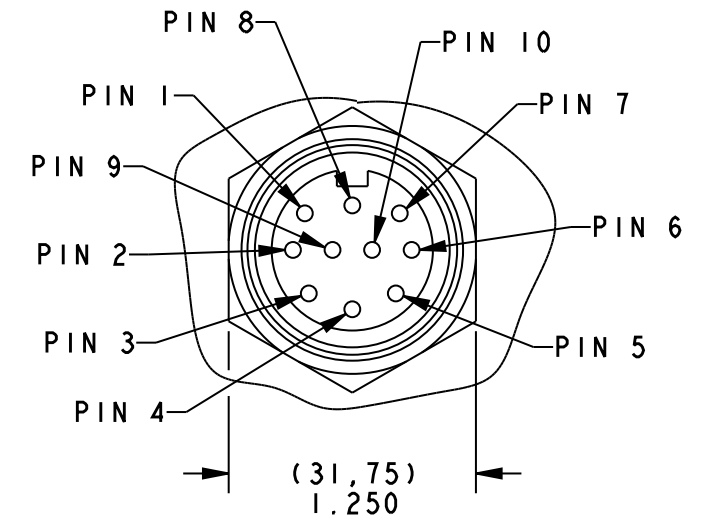
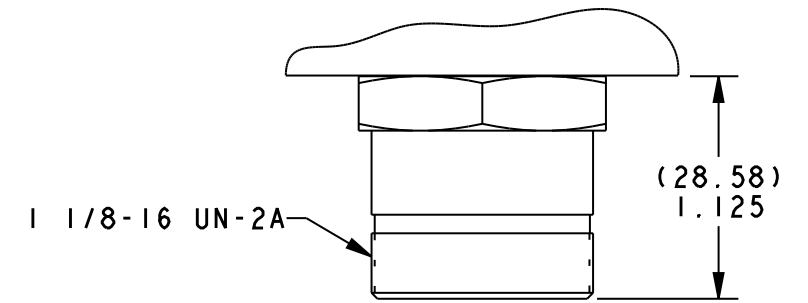
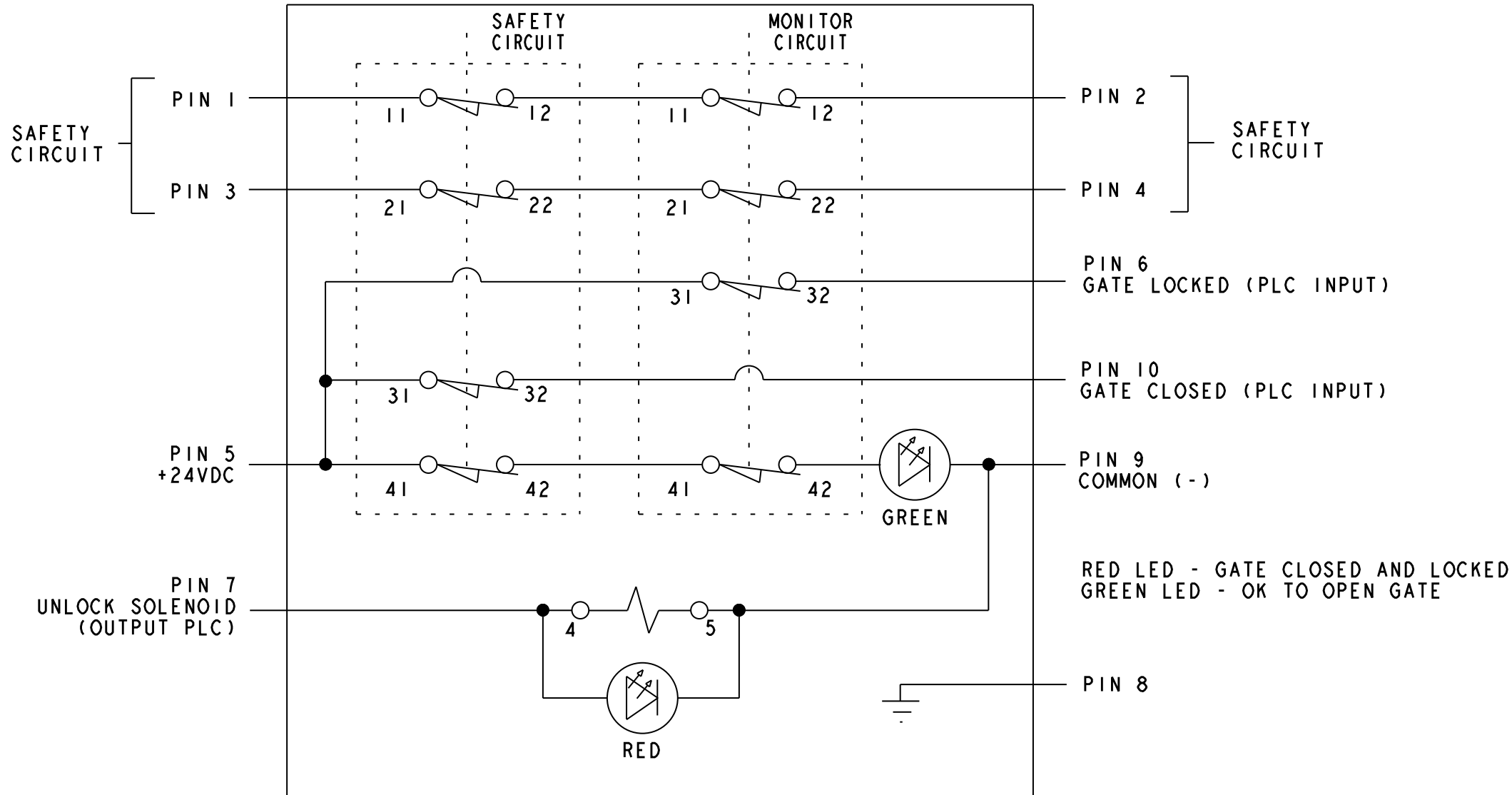
MODIFICATION CODE: F03

THIRD ANGLE PROJECTION			
SCALE		FULL	
DO NOT SCALE PRINT			
TOLERANCES			
APPLY TO DESIGN UNITS. CONVERSIONS ARE ONLY FOR REFERENCE. UNLESS NOTED, TOLERANCES ARE :			
	DIM.	TOL.	DIM.
	mm	mm/in	in
NO PLACES	X	1/64	X.X
ONE PLACE	X.X	0.07-0.16	X.XX
TWO PLACES	X.XX	0.157-0.06	X.XXX
THREE PLACES	X.XXX	0.137-0.05	
SI METRIC		US CUSTOMARY	
DESIGN UNITS		<input checked="" type="checkbox"/>	
		<input type="checkbox"/>	
WEIGHT		2,3 kg / 5 LB MAX	

ANSI Y14.5M-1982 APPLIES

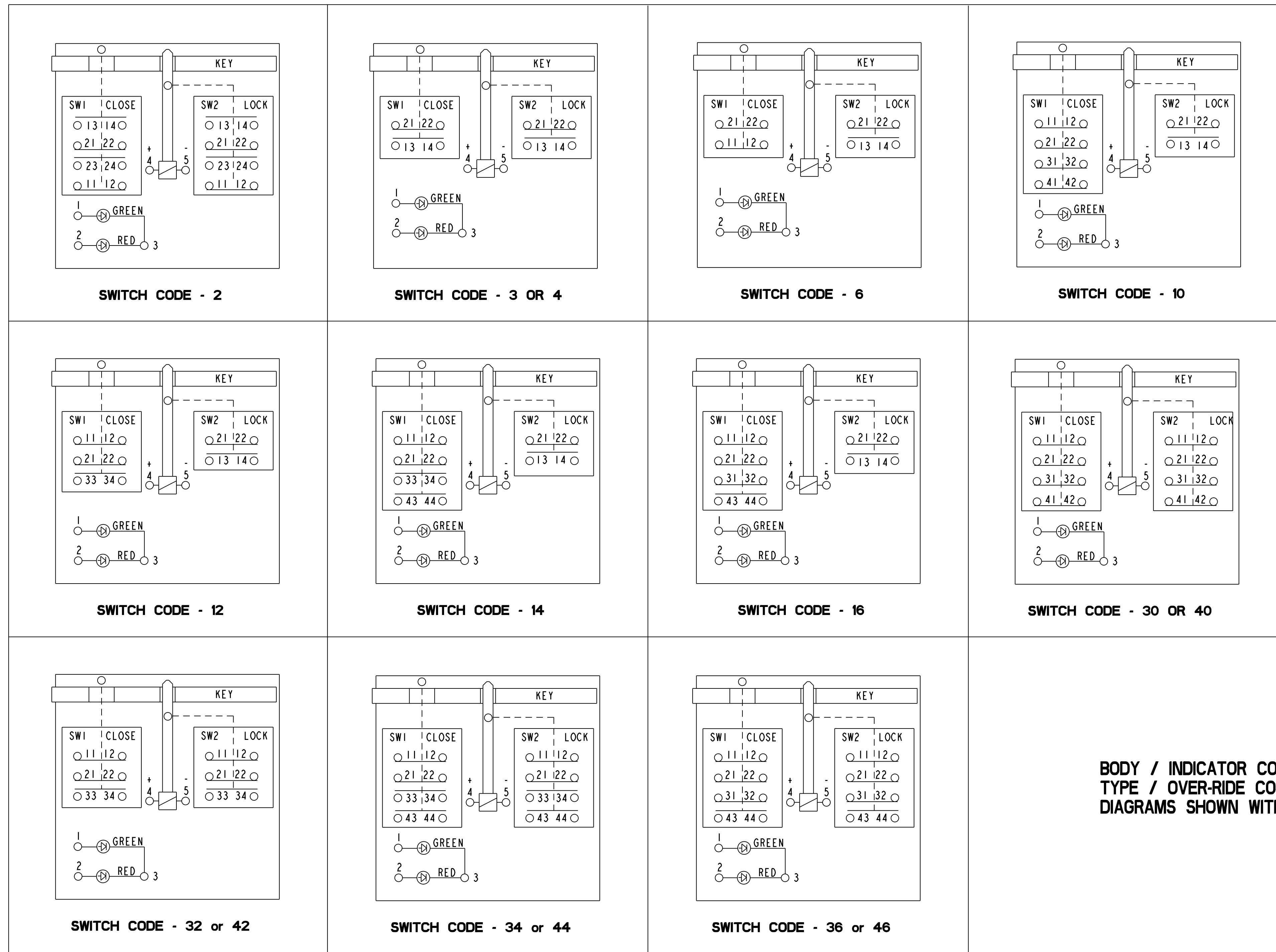
MODIFICATION CODE: F05

CATALOG LISTING **GK SERIES CHART 2** PAGE 10 OF 14
 ISSUE **13**
 REVISIONS
 A 205975 RED 18 JUL 02
 B 0065737 PHS 28 MAY 10
 PTC/CAD 2D
 DRAWN
 KED 24 AUG 99
 CHECK JAF
 CMH 28 MAY 10
 CHECK 24 AUG 99
 CMH 28 MAY 10
 CHECK 28 MAY 10
 CMH 28 MAY 10
 CHECK CO-93702
 REPLACES



300V 7A
BRAD-HARRISON PART NO. 3R1006A21F010
OR EQUIVALENT

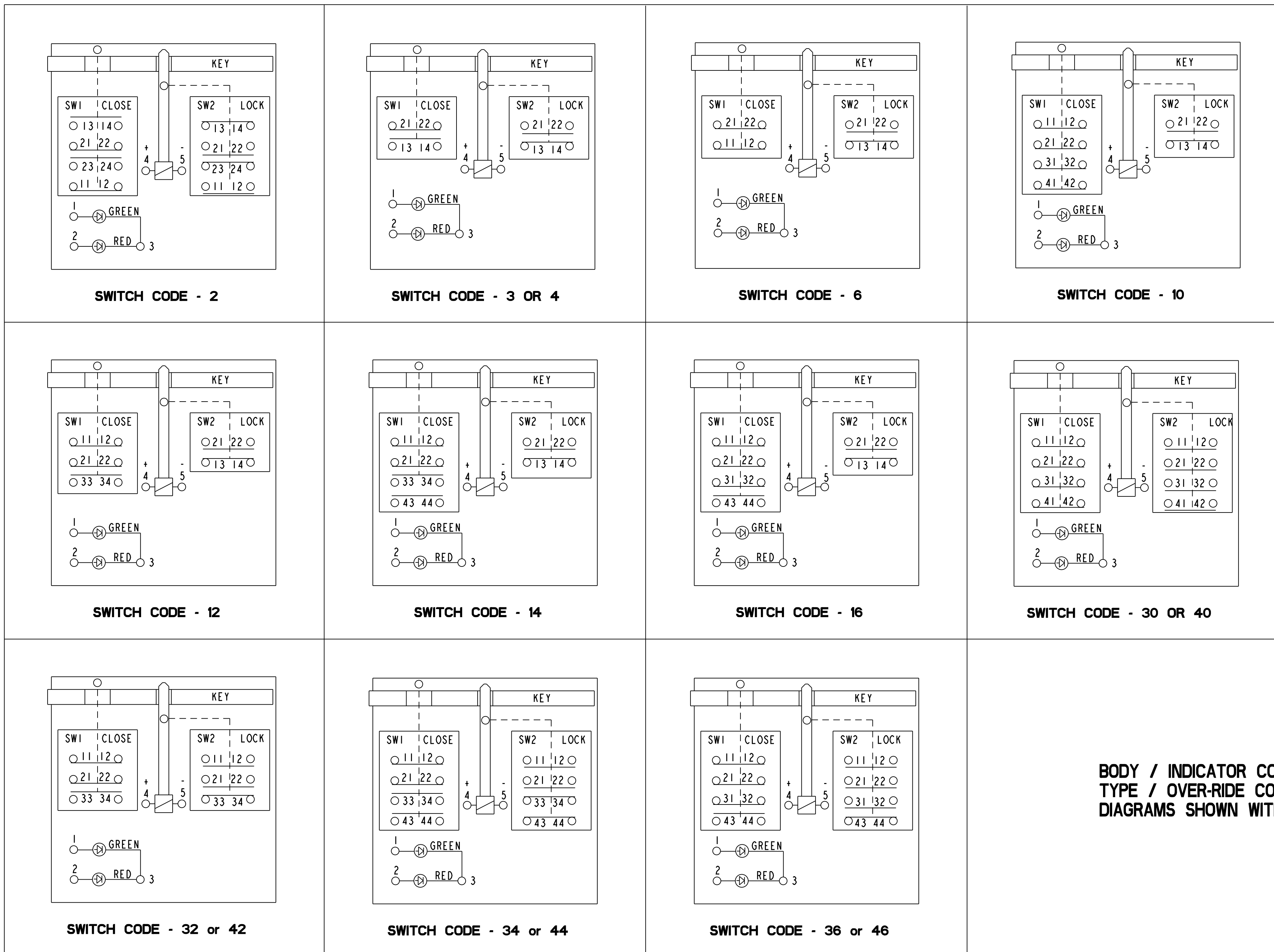
THIRD ANGLE PROJECTION			
SCALE NONE			
DO NOT SCALE PRINT			
TOLERANCES			
APPLY TO DESIGN UNITS. CONVERSIONS ARE ONLY FOR REFERENCE. UNLESS NOTED, TOLERANCES ARE:			
	DIM.	TOL.	DIM.
	mm	mm/16	in
NO PLACES	X	1/16	X.X 0.01/0.03
ONE PLACE	X.X	0.01/0.016	X.XX 0.001/0.015
TWO PLACES	X.XX	0.001/0.006	X.XXX 0.0001/0.005
THREE PLACES	X.XXX		
ANGLES			
DESIGN UNITS		SI METRIC	US CUSTOMARY
		<input checked="" type="checkbox"/>	<input type="checkbox"/>
WEIGHT 2,3 kg / 5 LB MAX			



BODY / INDICATOR CODES - L OR R
 TYPE / OVER-RIDE CODES - A OR B
 DIAGRAMS SHOWN WITH KEY INSERTED AND LOCKED

PTC/CAD DRAWN SAV 120 OCT 98 check JAF 120 OCT 98 check CMH
 MICROSWITCH
 HONEYWELL
 RELEASE NO. CO-93702
 11 OF 14
 GK SERIES CHART 2
 ISSUE 13
 REVISIONS
 1 JAF 200115
 2 JAF 0003737
 3 JAF 0003737
 4 JAF 0003737
 5 JAF 0003737
 6 JAF 0003737
 7 JAF 0003737
 8 JAF 0003737
 9 JAF 0003737
 10 JAF 0003737
 11 JAF 0003737
 12 JAF 0003737
 13 JAF 0003737
 14 JAF 0003737
 15 JAF 0003737
 16 JAF 0003737
 17 JAF 0003737
 18 JAF 0003737
 19 JAF 0003737
 20 JAF 0003737
 21 JAF 0003737
 22 JAF 0003737
 23 JAF 0003737
 24 JAF 0003737
 25 JAF 0003737
 26 JAF 0003737
 27 JAF 0003737
 28 JAF 0003737
 29 JAF 0003737
 30 JAF 0003737
 31 JAF 0003737
 32 JAF 0003737
 33 JAF 0003737
 34 JAF 0003737
 35 JAF 0003737
 36 JAF 0003737
 37 JAF 0003737
 38 JAF 0003737
 39 JAF 0003737
 40 JAF 0003737
 41 JAF 0003737
 42 JAF 0003737
 43 JAF 0003737
 44 JAF 0003737
 45 JAF 0003737
 46 JAF 0003737
 47 JAF 0003737
 48 JAF 0003737
 49 JAF 0003737
 50 JAF 0003737
 51 JAF 0003737
 52 JAF 0003737
 53 JAF 0003737
 54 JAF 0003737
 55 JAF 0003737
 56 JAF 0003737
 57 JAF 0003737
 58 JAF 0003737
 59 JAF 0003737
 60 JAF 0003737
 61 JAF 0003737
 62 JAF 0003737
 63 JAF 0003737
 64 JAF 0003737
 65 JAF 0003737
 66 JAF 0003737
 67 JAF 0003737
 68 JAF 0003737
 69 JAF 0003737
 70 JAF 0003737
 71 JAF 0003737
 72 JAF 0003737
 73 JAF 0003737
 74 JAF 0003737
 75 JAF 0003737
 76 JAF 0003737
 77 JAF 0003737
 78 JAF 0003737
 79 JAF 0003737
 80 JAF 0003737
 81 JAF 0003737
 82 JAF 0003737
 83 JAF 0003737
 84 JAF 0003737
 85 JAF 0003737
 86 JAF 0003737
 87 JAF 0003737
 88 JAF 0003737
 89 JAF 0003737
 90 JAF 0003737
 91 JAF 0003737
 92 JAF 0003737
 93 JAF 0003737
 94 JAF 0003737
 95 JAF 0003737
 96 JAF 0003737
 97 JAF 0003737
 98 JAF 0003737
 99 JAF 0003737
 100 JAF 0003737

THIS DRAWING COVERS A PROPRIETARY ITEM AND IS THE PROPERTY OF MICRO SWITCH, A DIVISION OF HONEYWELL. THIS DRAWING IS NOT TO BE COPIED OR USED WITHOUT THE APPROVAL OF MICRO SWITCH. FED. MFG. CODE 91929 MICRO SWITCH a Honeywell Division		CATALOG LISTING SWITCH - DOOR INTERLOCK GK SERIES CHART 2	THIRD ANGLE PROJECTION SCALE FULL DO NOT SCALE PRINT TOLERANCES APPLY TO DESIGN UNITS. CONVERSIONS ARE ONLY FOR REFERENCE, UNLESS NOTED. TOLERANCES ARE: DIM. METRIC DIM. INCH NO. PLACES DEC. PLACES TWO PLACES 0.01 0.0005 THREE PLACES 0.001 0.0001 ANGLES 0.1 0.0001 DESIGN UNITS SI METRIC <input checked="" type="checkbox"/> US CUSTOMARY <input type="checkbox"/> WEIGHT 2,3 kg / 5 LB MAX
--	--	---	---



BODY / INDICATOR CODES - L OR R
 TYPE / OVER-RIDE CODES - S OR T
 DIAGRAMS SHOWN WITH KEY INSERTED AND LOCKED

PTC/CAD DRAWN SAV 120 OCT 98 check JAF 120 OCT 98 check CMH
 DRAWING NUMBER 13 OF 14
 RELEASE NO. CO-93702
 MICRO SWITCH
 a Honeywell Division
 FEDERAL MANUFACTURING CODE 91929
 CATALOG LISTING
 SWITCH - DOOR INTERLOCK
 GK SERIES CHART 2
 DESIGN UNITS SI METRIC [X]
 WEIGHT 2,3 kg / 5 LB MAX

THIRD ANGLE PROJECTION			
SCALE	NONE		
DO NOT SCALE PRINT			
TOLERANCES			
APPLY TO DESIGN UNITS. CONVERSIONS ARE ONLY FOR REFERENCE. UNLESS NOTED, TOLERANCES ARE:			
NO PLACES	2	17, 24	100
ONE PLACE	0, 1	0, 12, 25	0, 12, 25
TWO PLACES	0, 01	0, 012, 25	0, 012, 25
THREE PLACES	0, 001	0, 0012, 25	0, 0012, 25
ANGLES			
DESIGN UNITS	SI METRIC	US CUSTOMARY	
WEIGHT 2,3 kg / 5 LB MAX			

