

HONEYWELL

ADD2721

See full Datasheet below...

onlinecomponents.com
THE ONLINE DISTRIBUTOR OF ELECTRONIC COMPONENTS

BUY NOW

 **MASTER**TM
ELECTRONICS

BUY NOW

masterelectronics.com & onlinecomponents.com
are **authorized** e-commerce distributors
of electronic components.



MICRO SWITCH

FREEPORT, ILLINOIS, U.S.A.
A DIVISION OF HONEYWELL

FED. MFG. CODE 91929

ACTUATOR - SWITCH

CATALOG LISTING

ADD 2721

ADD 2721

M

DRAWING NUMBER

ISSUE 3

REVISIONS

A	C078036
DLT 17 JUN 94	
B	CO 79303
SAD 4 MAR 95	

DCS 13 JUL 89

DCS 14 JUL 89

DCS 17 JUL 89

DCS 18 JUL 89

DCS 19 JUL 89

DCS 20 JUL 89

DCS 21 JUL 89

DCS 22 JUL 89

DCS 23 JUL 89

DCS 24 JUL 89

DCS 25 JUL 89

DCS 26 JUL 89

DCS 27 JUL 89

DCS 28 JUL 89

DCS 29 JUL 89

DCS 30 JUL 89

DCS 31 JUL 89

DCS 32 JUL 89

DCS 33 JUL 89

DCS 34 JUL 89

DCS 35 JUL 89

DCS 36 JUL 89

DCS 37 JUL 89

DCS 38 JUL 89

DCS 39 JUL 89

DCS 40 JUL 89

DCS 41 JUL 89

DCS 42 JUL 89

DCS 43 JUL 89

DCS 44 JUL 89

DCS 45 JUL 89

DCS 46 JUL 89

DCS 47 JUL 89

DCS 48 JUL 89

DCS 49 JUL 89

DCS 50 JUL 89

DCS 51 JUL 89

DCS 52 JUL 89

DCS 53 JUL 89

DCS 54 JUL 89

DCS 55 JUL 89

DCS 56 JUL 89

DCS 57 JUL 89

DCS 58 JUL 89

DCS 59 JUL 89

DCS 60 JUL 89

DCS 61 JUL 89

DCS 62 JUL 89

DCS 63 JUL 89

DCS 64 JUL 89

DCS 65 JUL 89

DCS 66 JUL 89

DCS 67 JUL 89

DCS 68 JUL 89

DCS 69 JUL 89

DCS 70 JUL 89

DCS 71 JUL 89

DCS 72 JUL 89

DCS 73 JUL 89

DCS 74 JUL 89

DCS 75 JUL 89

DCS 76 JUL 89

DCS 77 JUL 89

DCS 78 JUL 89

DCS 79 JUL 89

DCS 80 JUL 89

DCS 81 JUL 89

DCS 82 JUL 89

DCS 83 JUL 89

DCS 84 JUL 89

DCS 85 JUL 89

DCS 86 JUL 89

DCS 87 JUL 89

DCS 88 JUL 89

DCS 89 JUL 89

DCS 90 JUL 89

DCS 91 JUL 89

DCS 92 JUL 89

DCS 93 JUL 89

DCS 94 JUL 89

DCS 95 JUL 89

DCS 96 JUL 89

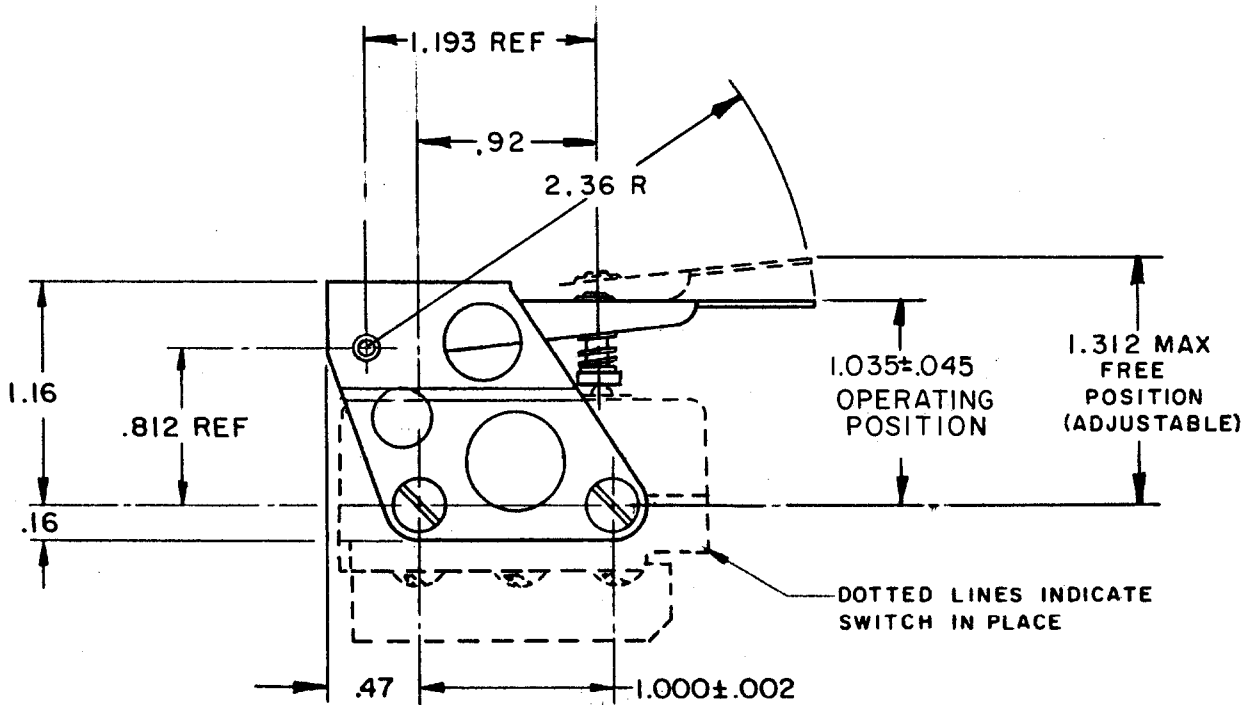
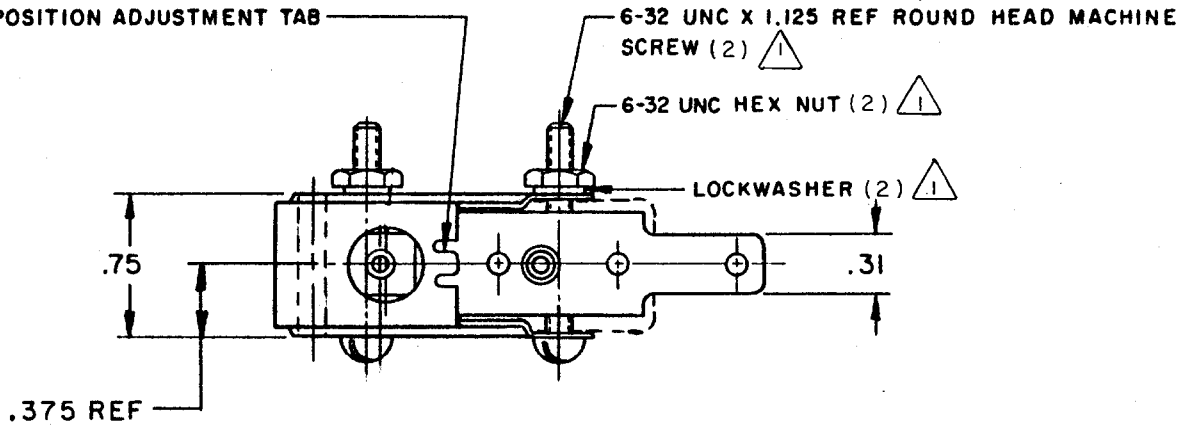
DCS 97 JUL 89

DCS 98 JUL 89

DCS 99 JUL 89

DCS 100 JUL 89

FREE POSITION ADJUSTMENT TAB



NOTE $\triangle 1$ FURNISHED UNASSEMBLED

THIS DRAWING COVERS A PROPRIETARY ITEM AND IS THE PROPERTY OF MICRO SWITCH, A DIVISION OF HONEYWELL. THIS DRAWING IS NOT TO BE COPIED OR USED WITHOUT THE APPROVAL OF MICRO SWITCH.

CHARACTERISTICS WITH DT-2R-A7 BASIC SWITCH INSTALLED	ELECTRICAL DATA	SCALE FULL
OPERATING FORCE — — — 1 1/2 LB MAX	CONTACT ARRANGEMENT	DO NOT SCALE PRINT
RELEASE FORCE — — — 1/4 LB MIN		UNLESS OTHERWISE NOTED
DIFFERENTIAL TRAVEL — — — .141 MAX		DIMENSIONS ARE IN INCHES
OVERTRAVEL — — — .350 APPROX		TOLERANCES ARE:
		ONE PLACE (.0) \pm .030
		TWO PLACE (.00) \pm .015
		THREE PLACE (.000) \pm .005
		ANGLES \pm
		WEIGHT