

M**SR4P3-B10****OPERATING CHARACTERISTICS** $\triangle 1$ $\triangle 5$

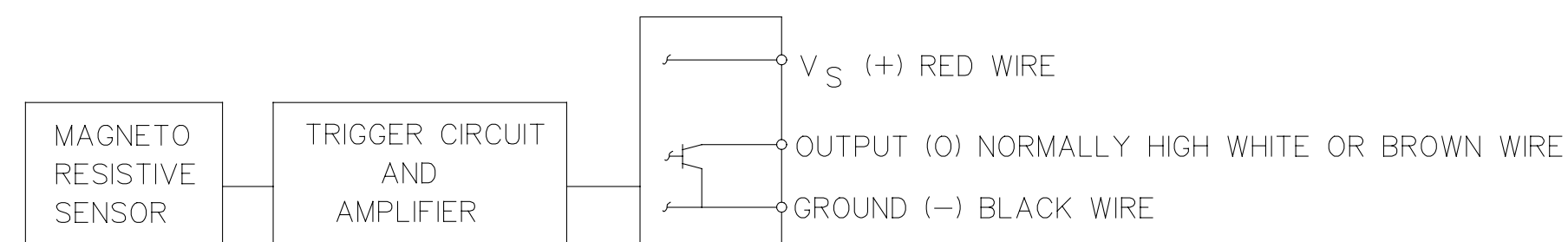
OPERATE MAX	25 GAUSS
RELEASE MIN	5 GAUSS
DIFF MIN	2 GAUSS
(TEMP RANGE -20°C TO 85°C)	

ABSOLUTE MAXIMUM RATINGS

SUPPLY VOLTAGE (V _S) $\triangle 7$	4.5 VDC TO 30 VDC
VOLTAGE EXTERNALLY APPLIED TO OUTPUT	+24 VOLTS DC MAX WITH SWITCH IN "OFF" CONDITION ONLY -0.5 VOLTS MAX WITH SWITCH IN "OFF" OR "ON" CONDITION
OUTPUT CURRENT	20 mA
TEMPERATURE OPERATE AND STORAGE	-40°C TO 85°C
MAGNETIC FLUX	NO LIMIT, THE CIRCUIT CANNOT BE DAMAGED BY MAGNETIC OVERDRIVE

ELECTRICAL CHARACTERISTICS

	MIN	TYP	MAX	REMARKS
SUPPLY CURRENT $\triangle 4$		6.0 mA	13.5 mA	V _S = 6-24 VOLTS $\triangle 7$
OUTPUT VOLTAGE (OPERATED) $\triangle 5$		0.25 V	0.4 V	SINKING 20 mA MAX
OUTPUT LEAKAGE CURRENT (RELEASED) $\triangle 5$			10 μ A	LEAKAGE INTO SWITCH OUTPUT
OUTPUT SWITCHING TIME				
RISE TIME $\triangle 5$		0.2 μ SEC	1.5 μ SEC	10% TO 90%
FALL TIME		0.1 μ SEC	0.5 μ SEC	90% TO 10%

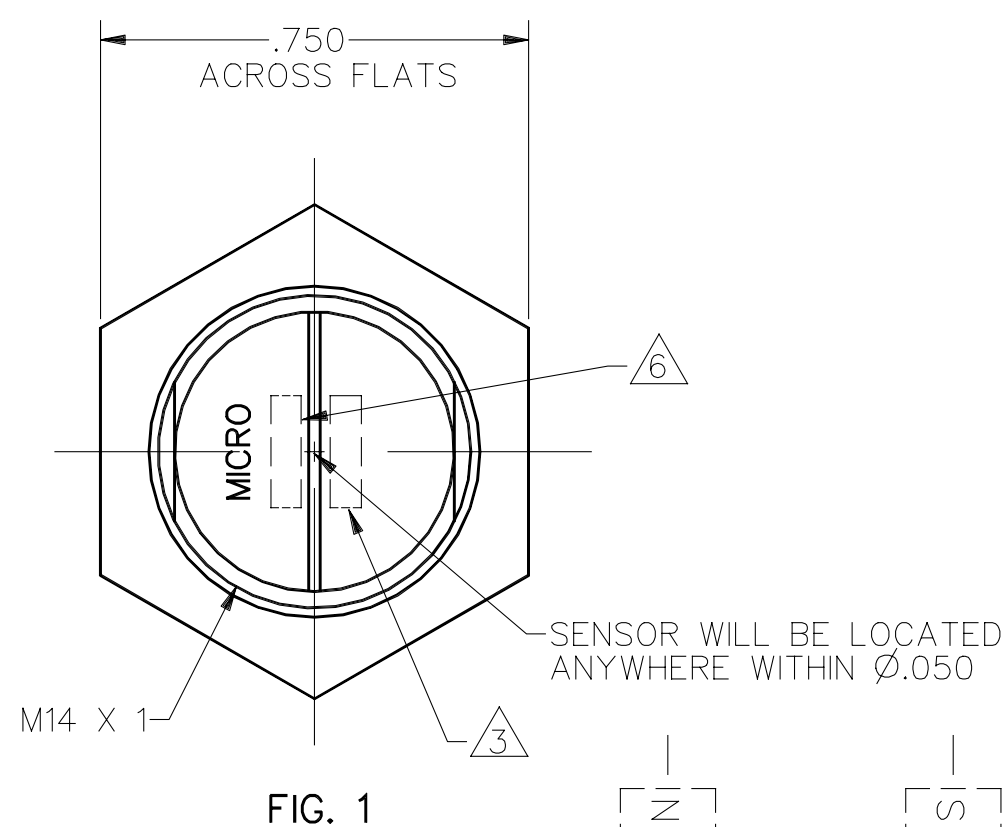
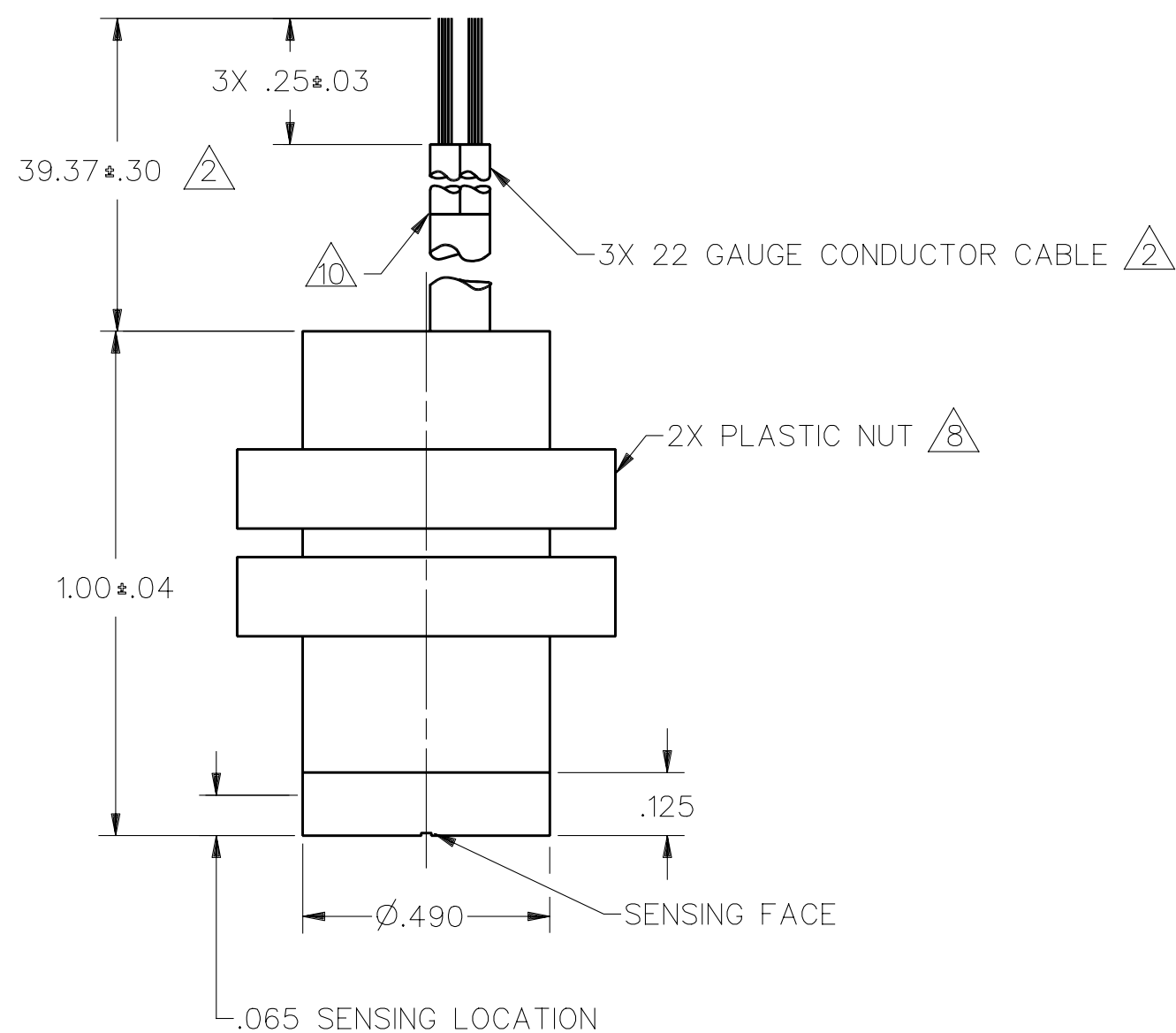
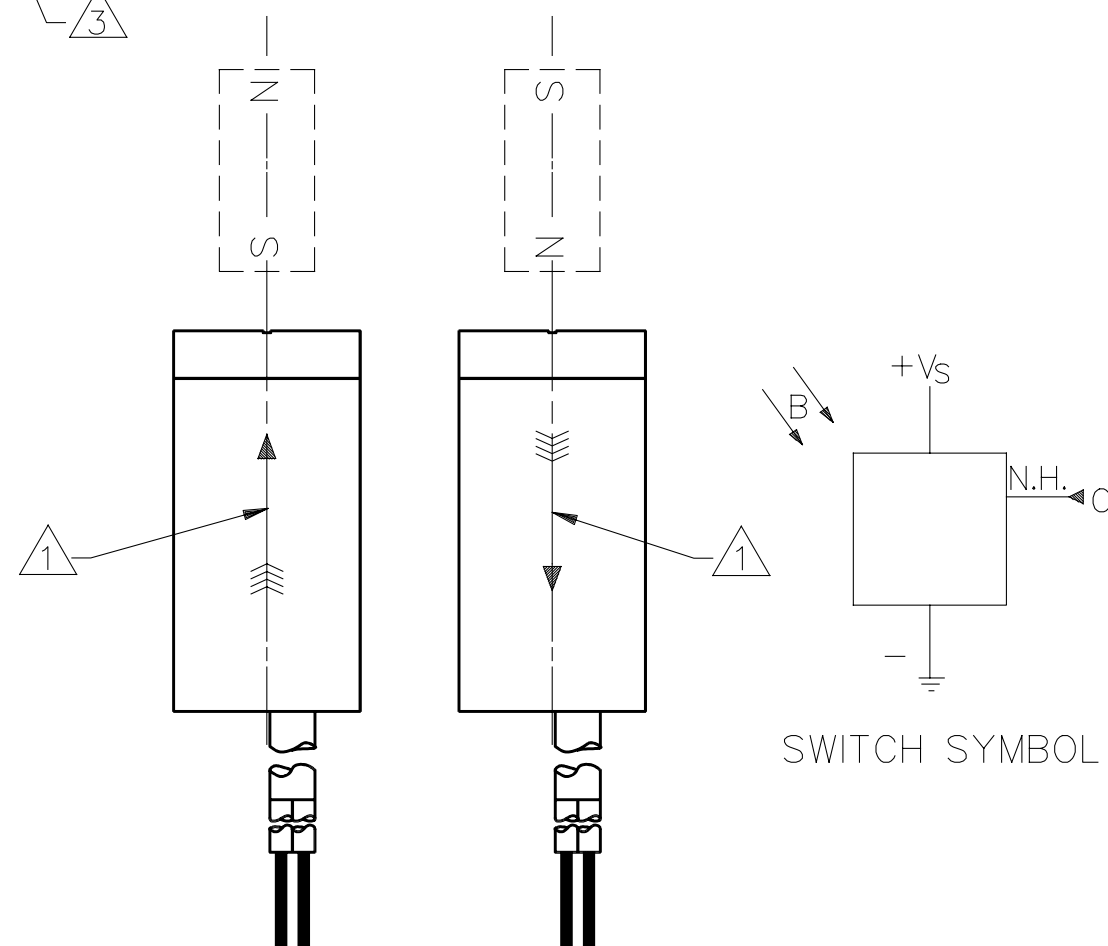
**BLOCK DIAGRAM SHOWING CURRENT SINKING OUTPUTS****NOTES**

- $\triangle 1$ FLUX ENTERING THE SOUTH POLE OR THE NORTH POLE OF THE MAGNET WILL OPERATE THE SENSOR WHEN MAGNET IS POSITIONED AS SHOWN IN FIGURE 2. THIS ASSUMES THE CONVENTION THAT THE DIRECTION OF THE EXTERNAL FLUX OF A MAGNET IS FROM THE NORTH TO THE SOUTH POLE OF THE MAGNET
- $\triangle 2$ 22 GAUGE PVC INSULATED CONDUCTORS WITH MOLDED PVC JACKET
- $\triangle 3$ DATE CODE LOCATED IN THIS AREA
- $\triangle 4$ AT 24 \pm 2°C
- $\triangle 5$ AT SUPPLY VOLTAGE OF 4.5 TO 30 VOLTS AND FULL TEMPERATURE RANGE
- $\triangle 6$ CATALOG LISTING LOCATED IN THIS AREA
- $\triangle 7$ V_S IS THE UNREGULATED SUPPLY VOLTAGE
- $\triangle 8$ TORQUE ON PLASTIC NUTS MUST NOT EXCEED 12 INCH POUNDS
- 9 - THE MAGNETIC CHARACTERISTICS OF THE SWITCH MAY BE AFFECTED BY STRAY MAGNETIC FIELDS
- $\triangle 10$ JACKET IS CUT BACK 1.37 FROM FREE END OF LEADS

THIS DRAWING COVERS A PROPRIETARY ITEM AND IS THE PROPERTY OF MICRO SWITCH, A DIVISION OF HONEYWELL. THIS DRAWING IS NOT TO BE COPIED OR USED WITHOUT THE APPROVAL OF MICRO SWITCH.

MICRO SWITCH a Honeywell Division	MAGNETICALLY OPERATED CYLINDRICAL HALL SWITCH	CATALOG LISTING SR4P3-B10
FED. MFG. CODE 91929		WEIGHT

THIRD ANGLE PROJECTION		
SCALE	3:1	
DO NOT SCALE PRINT		
UNLESS OTHERWISE SPECIFIED TOLERANCES ARE		
ONE PLACE	(.0)	\pm .030
TWO PLACES	(.00)	\pm .015
THREE PLACES	(.000)	\pm .005
ANGLES		\pm
WEIGHT		

**FIG. 1****FIG. 2
OPERATE**

MASTER REDUCED
ANSI Y14.5M-1982 APPLIES

SR4P3-B10DRAWING NUMBER
MISSUE
1

REVISIONS

DRAWN

CHECK

CHECK

CHECK

CHECK

CHECK

CHECK

CHECK

CHECK

CHECK

CHECK

CHECK

CHECK

CHECK

CHECK

CHECK

CHECK

CHECK

CHECK

CHECK

CHECK

CHECK

CHECK

CHECK

CHECK

CHECK

X101472-SR

REPLACES

PR-23085

PAGE 1 OF 1

RELEASE NO.

J A S

J A F 15 JUL 98

J A S

J A S

J A S

J A S

J A S

J A S

J A S

J A S

J A S