

**SERIES:** AMT31 | **DESCRIPTION:** MODULAR COMMUTATION ENCODER

**FEATURES**

- patented capacitive ASIC technology
- low power consumption
- U, V, W commutation phase channels
- 2, 4, 6, 8, 10, 12, 20 motor poles w/ incremental resolutions up to 4096 PPR
- resolutions and poles programmable with AMT Viewpoint™ PC software
- differential line driver versions
- digitally set zero position with AMT One Touch Zero™ module or serial commands
- compact modular package with locking hub for ease of installation
- radial and axial cable connections
- -40~125°C operating temperature


**ELECTRICAL**

| parameter                    | conditions/description       | min     | typ | max | units |
|------------------------------|------------------------------|---------|-----|-----|-------|
| power supply                 | VDD                          | 4.5     | 5   | 5.5 | V     |
| start-up time <sup>1</sup>   |                              |         | 200 |     | ms    |
| current consumption          | with unloaded output         |         | 16  |     | mA    |
| single ended channels        | output high level            | VDD-0.1 |     |     | V     |
|                              | output low level             |         |     | 0.1 | V     |
|                              | output current (per channel) |         |     | 15  | mA    |
|                              | rise/fall time               |         | 8   |     | ns    |
| differential RS-422 channels | output high level            | 3       |     |     | V     |
|                              | output low level             |         |     | 0.1 | V     |
|                              | output current (per channel) |         |     | 20  | mA    |
|                              | rise/fall time               | 7       | 11  | 20  | ns    |

Note: 1. Encoder must be stationary during start-up.

**INCREMENTAL CHARACTERISTICS**

| parameter                                  | conditions/description  | min | typ | max | units   |
|--|---|-----|-----|-----|---------|
| waveform                                   | CMOS voltage square wave  |     |     |     |         |
| phase difference                           | A leads B for CCW rotation (viewed from front)  |     | 90  |     | degrees |
| quadrature resolutions <sup>2</sup>        | 48, 96, 100, 125, 192, 200, 250, 256, 360, 384, 400, 500, 512, 768, 800, 1000, 1024, 1600, 2000, 2048, 2500, 4096 |     |     |     | PPR     |
| index <sup>3</sup>                         | one pulse per 360 degree rotation   |     |     |     |         |
| accuracy                                   |   |     | 0.2 |     | degrees |
| quadrature duty cycle (at each resolution) | 48, 96, 100, 125, 192, 256, 384   | 49  | 50  | 51  | %       |
|  | 200, 250, 360, 400, 768, 800  | 48  | 50  | 52  | %       |
|  | 500, 1000, 1600   | 46  | 50  | 54  | %       |
|  | 512, 1024, 2048, 4096   | 50  | 50  | 50  | %       |
|  | 2000  | 44  | 50  | 56  | %       |
|  | 2500  | 43  | 50  | 57  | %       |

Notes: 2. Resolutions programmed with AMT Viewpoint™ PC software. Default resolution set to 2048 PPR. Listed as pre-quadrature, meaning final number of counts is PPR x 4.  
3. Zero position alignment set with AMT One Touch Zero™ module, AMT Viewpoint™ PC software, or serial commands.

## COMMUTATION CHARACTERISTICS

| parameter                | conditions/description           | min   | typ | max | units              |
|--------------------------|----------------------------------|---|-----|-----|--------------------|
| channels                 | CMOS Voltage [S]                 | A, B, Z, U, V, W  |     |     |                    |
|                          | Quadrature Line Driver [Q]       | A, $\bar{A}$ , B, $\bar{B}$ , Z, $\bar{Z}$ , U, V, W                                    |     |     |                    |
|                          | Commutation Line Driver [C]      | A, B, Z, U, $\bar{U}$ , V, $\bar{V}$ , W, $\bar{W}$                                     |     |     |                    |
|                          | Line Driver [D]                  | A, $\bar{A}$ , B, $\bar{B}$ , Z, $\bar{Z}$ , U, $\bar{U}$ , V, $\bar{V}$ , W, $\bar{W}$ |     |     |                    |
| motor poles <sup>4</sup> | 2, 4, 6, 8, 10, 12, 20           |   |     |     |                    |
| waveform <sup>4</sup>    | CMOS voltage square wave         |   |     |     |                    |
| phase difference         | WYE motor winding configurations |   | 120 |     | electrical degrees |

Notes: <sup>4</sup> Pole counts and waveform direction set via AMT Viewpoint™ PC software. Default poles set to 4 poles and counter-clockwise direction.

## MECHANICAL

| parameter                             | conditions/description  | min | typ           | max  | units |
|---------------------------------------|---|-----|---------------|------|-------|
| motor shaft length                    |   | 9   |               |      | mm    |
| motor shaft tolerance                 |   |     | NOM +0/-0.015 |      | mm    |
| weight                                | weight varies by configuration  |     | 15.7          |      | g     |
| axial play                            |   |     |               | ±0.3 | mm    |
| rotational speed [at each resolution] | 48, 96, 100, 125, 192, 200, 250, 256, 384, 400, 500, 512, 800, 1000, 1024, 2048 |     |               | 8000 | RPM   |
|                                       | 360, 768, 1600, 2000, 4096  |     |               | 4000 | RPM   |
|                                       | 2500  |     |               | 2500 | RPM   |

## ENVIRONMENTAL

| parameter             | conditions/description                         | min | typ | max | units |
|-----------------------|--|-----|-----|-----|-------|
| operating temperature |  | -40 |     | 125 | °C    |
| humidity              | non-condensing                                 |     |     | 85  | %     |
| vibration             | 10~500 Hz, 5 minute sweep, 2 hours on each XYZ |     |     | 5   | G     |
| shock                 | 3 pulses, 6 ms, 3 on each XYZ                  |     |     | 200 | G     |
| RoHS                  | yes  |     |     |     |       |

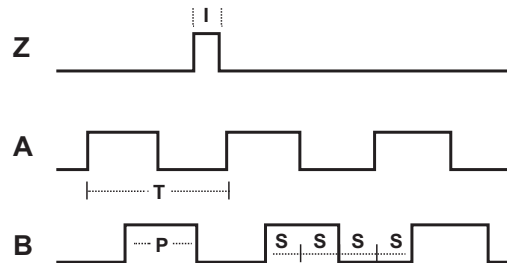
## SERIAL INTERFACE

| parameter  | conditions/description   | min | typ    | max | units |
|------------|--|-----|--------|-----|-------|
| protocol   | serial UART  |     |        |     |       |
| controller | driven by onboard Microchip PIC18F25K80. See Microchip documentation for additional details. |     |        |     |       |
| data rate  | 8 data bits, no parity, 1 stop bit, least significant bit first                              |     | 115200 |     | baud  |

## WAVEFORMS

**Figure 1**

Quadrature signals with index showing counter-clockwise rotation



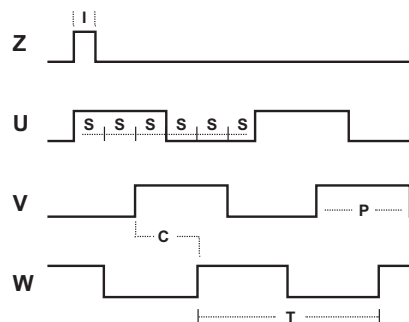
The following parameters are defined by the resolution selected for each encoder. The encoders resolution is listed as Pulses Per Revolution (PPR), which is the number of periods (or high pulses) over the encoders revolution.

| Parameter | Description     | Expression     | Units                 | Notes  |
|-----------|-----------------|----------------|-----------------------|--|
| PPR       | resolution      |                | Pulses Per Revolution | This is the user selected value and the format all resolutions are listed in |
| CPR       | counts          | $PPR \times 4$ | Counts Per Revolution | This is the number of quadrature counts the encoder has                      |
| T         | period          | $360/R$        | mechanical degrees    |  |
| P         | pulse width     | $T/2$          | mechanical degrees    |  |
| S         | A/B state width | $T/4$          | mechanical degrees    | This is the width of a quadrature state                                      |
| I         | index width     | $T/4$          | mechanical degrees    | The width of a once per turn index is the state width for A & B lines        |

Note: For more information regarding PPR, CPR, or LPR (Lines Per Revolution) view <https://www.cuidevices.com/blog/what-is-encoder-ppr-cpr-and-lpr>

**Figure 2**

Commutation signals with index [The programmable direction setting dictates in which direction of rotation U will lead V, and V will lead W]



The following parameters are defined by the resolution and pole count selected for each encoder, where PPR = resolution and M = motor poles.

| Parameter | Description       | Expression           | Units              |
|-----------|-------------------|----------------------|--------------------|
| T         | period            | $360/M$              | mechanical degrees |
| P         | pulse width       | $T/2$                | mechanical degrees |
| I         | index width       | $360/(PPR \times 4)$ | mechanical degrees |
| S         | U/V/W state width | 60                   | electrical degrees |
|           |                   | $T/6$                | mechanical degrees |
| C         | phase spacing     | 120                  | electrical degrees |
|           |                   | $T/3$                | mechanical degrees |

## PART NUMBER KEY

For customers that prefer a specific AMT31 configuration, please reference the custom configuration key below.

### AMT31XX - XXXX - XXXX - XX - XX - X

Base Number

Orientation:  
2 = Radial  
3 = Axial

Output Signals:  
S = CMOS Voltage  
Q = Quadrature Line Driver  
C\* = Commutation Line Driver  
D\* = Line Driver

\*Radial orientation only.

Quadrature

Resolution (PPR):

|      |      |
|------|------|
| 0048 | 0500 |
| 0096 | 0512 |
| 0100 | 0768 |
| 0125 | 0800 |
| 0192 | 1000 |
| 0200 | 1024 |
| 0250 | 1600 |
| 0256 | 2000 |
| 0360 | 2048 |
| 0384 | 2500 |
| 0400 | 4096 |

Sleeve Bore Diameter:

|      |                   |
|------|-------------------|
| 2000 | = 2 mm            |
| 3000 | = 3 mm            |
| 3175 | = 3.175 mm [1/8"] |
| 4000 | = 4 mm            |
| 4760 | = 4.76 mm [3/16"] |
| 5000 | = 5 mm            |
| 6000 | = 6 mm            |
| 6350 | = 6.35 mm [1/4"]  |
| 8000 | = 8 mm            |

Motor Poles:

|    |    |
|----|----|
| 02 | 10 |
| 04 | 12 |
| 06 | 20 |
| 08 |    |

Mounting Base:  
S = Standard  
W = Wide

Direction:  
"blank" = CCW  
CW = clockwise

## AMT31-V KITS

In order to provide maximum flexibility for our customers, the AMT31 series is provided in kit form standard. This allows the user to implement the encoder into a range of applications using one sku#, reducing engineering and inventory costs.



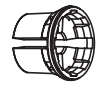
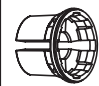

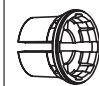

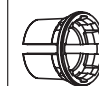
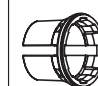
### ORDERING GUIDE






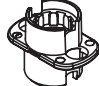
#### AMT31XX-V

Orientation:  
2 = Radial  
3 = Axial

Output Signals:  
S = CMOS Voltage  
Q = Quadrature Line Driver  
C\* = Commutation Line Driver  
D\* = Line Driver

\*Radial orientation only.

| SLEEVES   |   |   |  |   |   |   |   |   |
|---|---|---|--|---|---|---|---|---|
|  |  |  |  |  |  |  |  |  |
| 2mm   | 3mm   | 1/8 inch (3.175mm)  | 4mm  | 3/16 inch (4.76mm)  | 5mm   | 6mm   | 1/4 inch (6.35mm)   | 8mm   |
| Light Sky Blue  | Orange  | Purple  | Gray   | Yellow  | Green   | Red   | Snow  | Blue  |

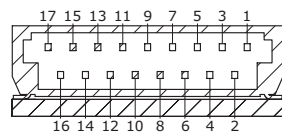
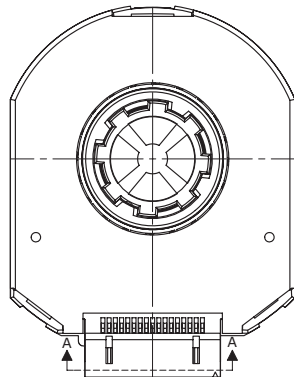
| BASE  | WIDE BASE   | TOP COVER  | SHAFT ADAPTER   | TOOL A  | TOOL C  |
|---|---|--|---|---|---|
|  |  |  |  |  |  |

## ENCODER INTERFACE

| PINOUT CONNECTOR |                  |                  |                  |                  |                  |                  |
|------------------|------------------|------------------|------------------|------------------|------------------|------------------|
| Function         |                  |                  |                  |                  |                  |                  |
| #                | AMT312S          | AMT312Q          | AMT312C          | AMT312D          | AMT313S          | AMT313Q          |
| 1                | TX_ENC+          | TX_ENC+          | TX_ENC+          | TX_ENC+          | RX_ENC+          | RX_ENC+          |
| 2                | RX_ENC+          | RX_ENC+          | RX_ENC+          | RX_ENC+          | TX_ENC+          | TX_ENC+          |
| 3                | U+               | U+               | U+               | U+               | U+               | U+               |
| 4                | GND <sup>1</sup> | GND <sup>1</sup> | GND <sup>1</sup> | GND <sup>1</sup> | GND <sup>1</sup> | GND <sup>1</sup> |
| 5                | W+               | W+               | W+               | W+               | W+               | W+               |
| 6                | +5 V             | +5 V             | +5 V             | +5 V             | +5 V             | +5 V             |
| 7                | V+               | V+               | V+               | V+               | V+               | V+               |
| 8                | B+               | B+               | B+               | B+               | B+               | B+               |
| 9                | N/A              | B-               | N/A              | B-               | N/A              | B-               |
| 10               | A+               | A+               | A+               | A+               | A+               | A+               |
| 11               | N/A              | A-               | N/A              | A-               | N/A              | A-               |
| 12               | Z+               | Z+               | Z+               | Z+               | Z+               | Z+               |
| 13               | N/A              | Z-               | N/A              | Z-               | N/A              | Z-               |
| 14               | MCLR B           | MCLR B           | MCLR B           | MCLR B           | MCLR B           | MCLR B           |
| 15               | N/A              | N/A              | W-               | W-               | N/A              | N/A              |
| 16               | N/A              | N/A              | V-               | V-               | N/A              | N/A              |
| 17               | N/A              | N/A              | U-               | U-               | N/A              | N/A              |

Note: 1. Connect encoder GND to motor chassis as closely as possible. For additional grounding techniques contact CUI Application Support.

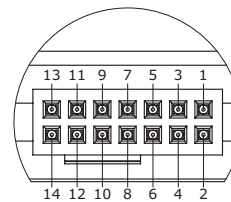
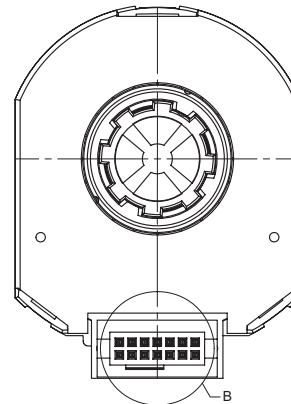
### AMT312S, AMT312Q, AMT312C & AMT312D



SECTION A-A  
SCALE 4 : 1

Mating Connector:  
JAE FI-W17S

### AMT313S & AMT313Q



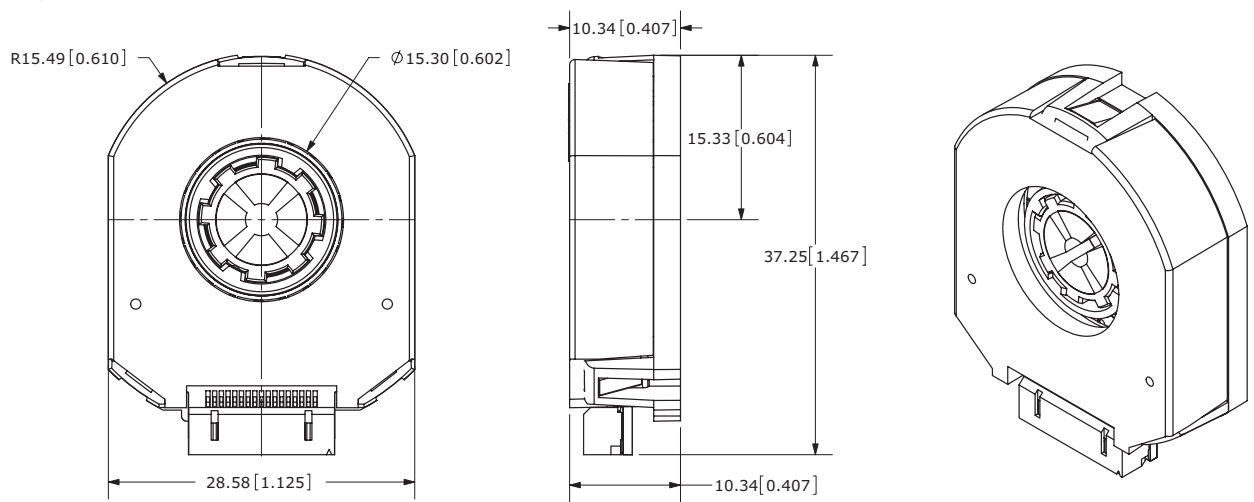
DETAIL B  
SCALE 4 : 1

Mating Connector:  
Samtec ISDF-07-D-L

## MECHANICAL DRAWING

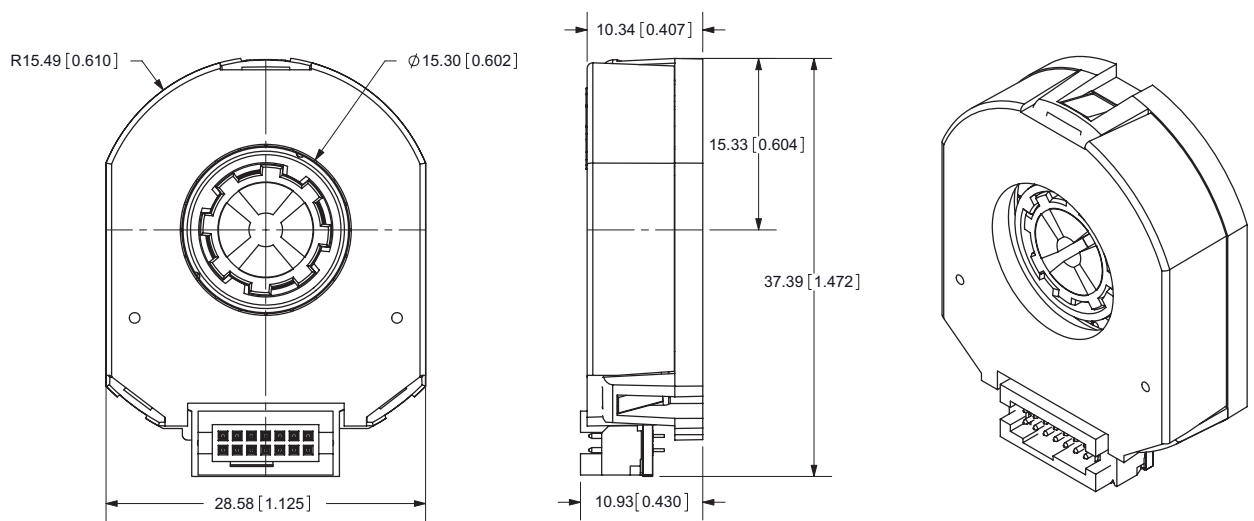
### AMT312S, AMT312Q, AMT312C & AMT312D

units: mm  
tolerance: ±0.1



### AMT313S & AMT313Q

units: mm  
tolerance: ±0.1

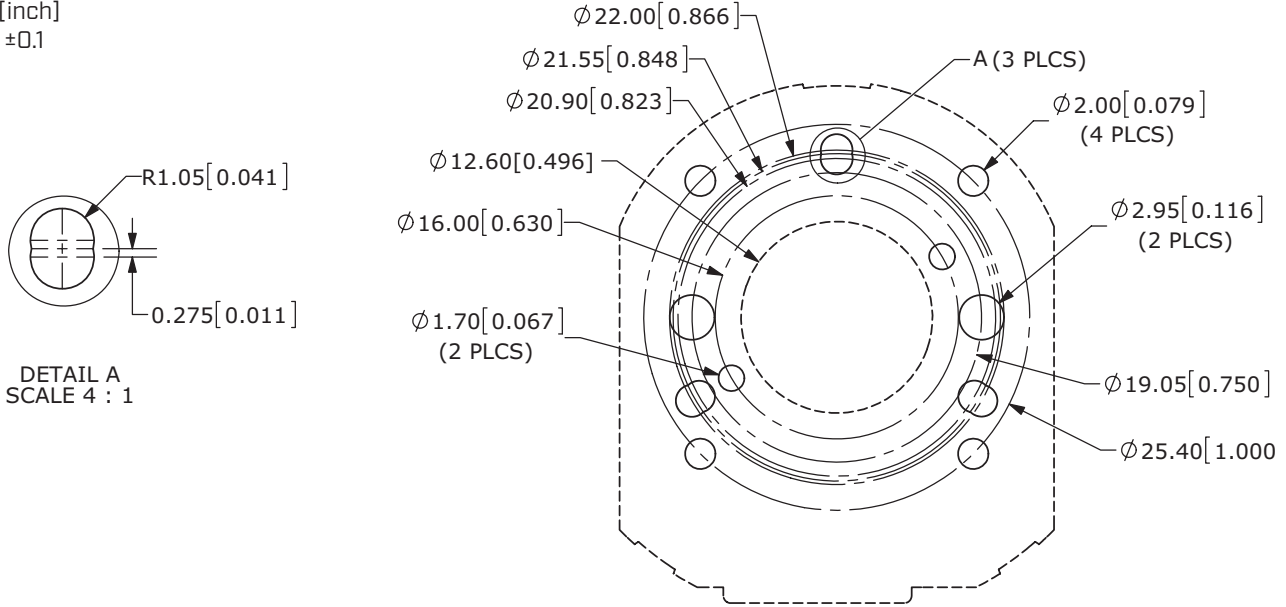


## MECHANICAL DRAWING (CONTINUED)

### MOUNTING HOLE PATTERNS

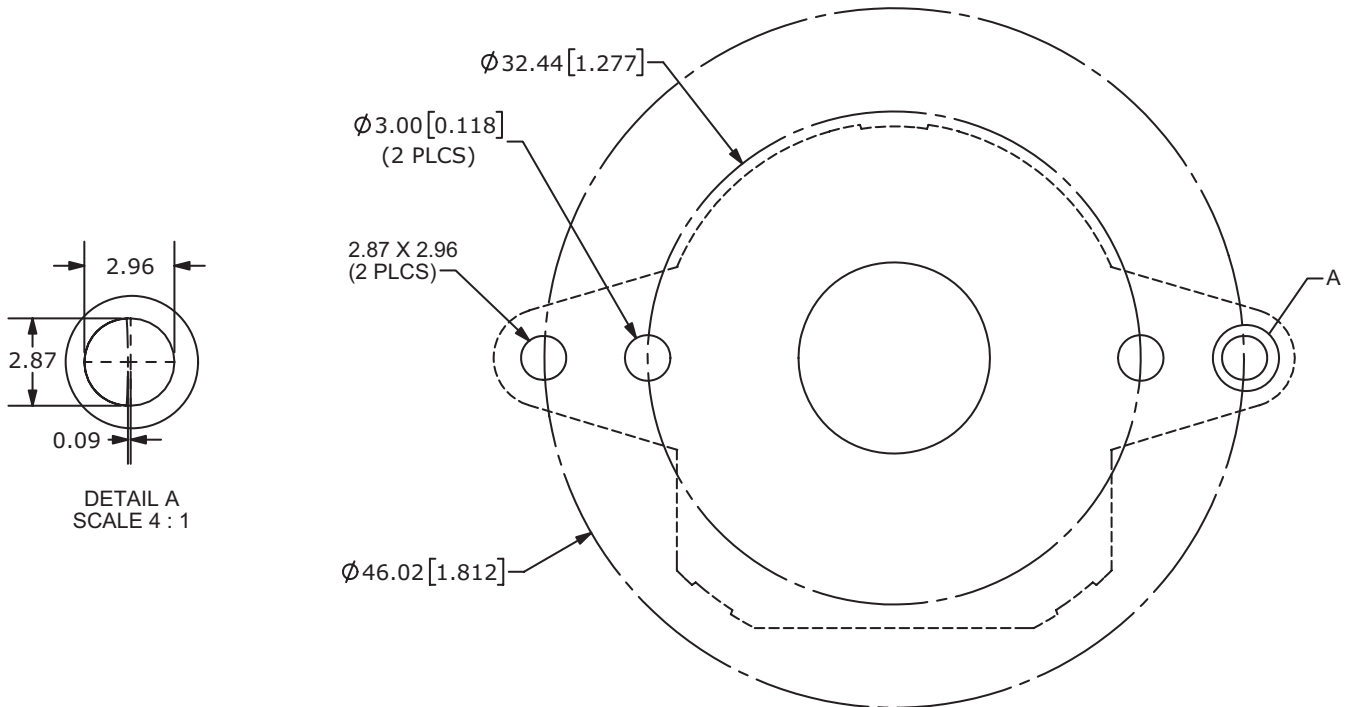
#### STANDARD BASE

units: mm[inch]  
tolerance: ±0.1



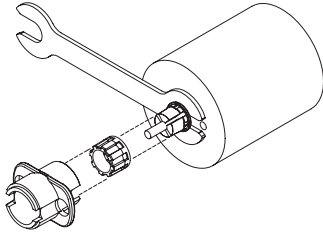
#### WIDE BASE

units: mm[inch]  
tolerance: ±0.1



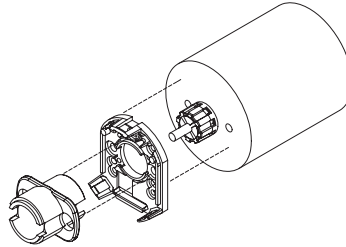
## ASSEMBLY PROCEDURE

### STEP 1



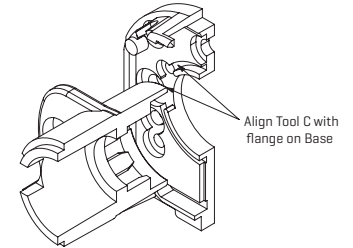
1. Insert Tool A as a spacer that defines the distance to the mounting surface.
2. Slide appropriate sized Sleeve over shaft all the way down to Tool A.
3. Slide Shaft Adaptor over Sleeve.
4. Use Tool C to press Shaft Adaptor over Sleeve [ensure Shaft Adaptor and Tool C spline alignment] until flush with Tool A.

### STEP 2



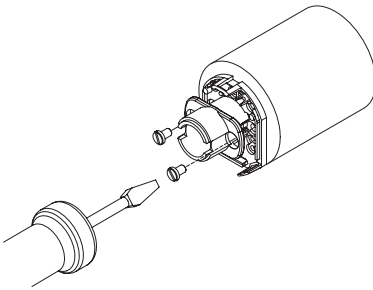
1. Remove Tools A and C.
2. Place Base on motor, with Tool C used as a centering tool.

### STEP 3



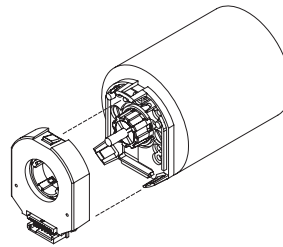
1. Align Tool C with flange on Base.
2. Slide Base and Tool C onto motor, centering onto the Shaft Adaptor.

### STEP 4



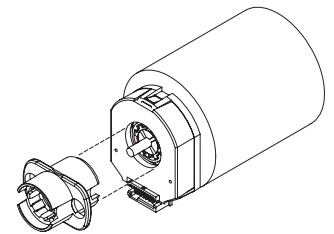
1. Fasten the Base on the motor (Tool C may need to be rotated to allow for some mounting configurations).
2. Remove Tool C.

### STEP 5



1. Snap the Top Cover onto the Base, carefully observing that the teeth of the Shaft Adaptor align with the grooves in the hub. \*
- \* We recommend no more than three cycles of mounting and removal of the AMT top cover base. Multiple cycles of mounting and removing the top cover can cause base fatigue over time and affect encoder performance.

### STEP 6



1. Make sure the snaps are fully engaged by pressing on the Hub with the reverse side of Tool C.
2. When assembly is finished, the Shaft Adaptor, Sleeve and Rotor Hub should all be flush with the Motor Shaft rotating freely.



## APPLICATION NOTES

### SERIAL INTERFACE

The AMT31 series encoder is designed to operate with a serial UART interface. This interface allows the encoder to be configured and programmed by the AMT Viewpoint™ application. Along with programming, the AMT Viewpoint™ application uses the serial interface for diagnostics and motor pole alignment. Below are instructions on how to use the serial interface for position zeroing.

**Table 1**  
Serial Commands

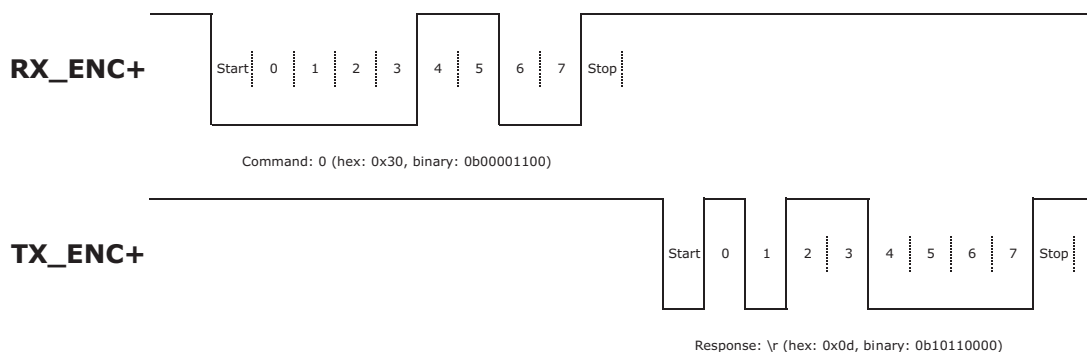
| Command | Action  | Use  |
|---------|---|--|
| 0       | This command sends an ascii '0' [hex value 0x30]. | This zeros the encoder and sets the index at the current angular position along with the rising edge of the commutation channel U. This position is stored in non-volatile memory and will remain present until a zero command is set again or the encoder is reprogrammed via the AMT Viewpoint™ application. |
| Q       | This command sends an ascii 'Q' [hex value 0x51]. | This command restarts the encoder as if it were power cycled.  |

**Table 2**  
Serial Pins

| Pin     | Description  | Connection  |
|---------|--|---|
| TX_ENC+ | This is the pin that the encoder transmits serial data on.   | Connect this pin to the receiver input of your serial/UART interface. |
| RX_ENC+ | This is the pin that the encoder receives serial commands on.  | Connect this pin to your serial/UART interface transmitter output.    |
| MCLRB   | This pin is used to force the encoder into reset for reprogramming via the AMT Viewpoint™ application. | Connection of this pin is not required for the above serial commands. |

The serial interface operates at 115200 baud with 8 data bits, no parity, and 1 stop bit, and 1 start bit. This is the standard UART protocol. Data lines TX\_ENC+ and RX\_ENC+ are high when inactive.

**Figure 3**  
Serial Timing Diagram



## APPLICATION NOTES (CONTINUED)

---

### COMMUTATION ALIGNMENT AND ZERO POSITION

The AMT31 series encoder requires minimal setup time for brushless DC (BLDC) motor applications. Installation can be completed with either a PC with the AMT Viewpoint™ application installed, an AMT-DTZ-1 zero alignment module, or any 5V serial interface. The following steps explain the proper commutation alignment procedure for the AMT31 encoder.

1. Ensure AMT31 encoder is set for correct pole count. To verify or change settings use the AMT Viewpoint™ software.
2. Mount encoder following AMT Assembly procedure.
3. Use the motor manufacturer's documentation to determine the correct motor phase to energize for alignment. Energized phase will coincide with the rising edge of the AMT31 encoders 'U' signal. This typically means energizing phase 1 by applying positive voltage to the wire labeled 'phase 1', and grounding the wire labeled 'phase 2'. The third wire always remains unconnected.
4. Using a power supply, energize the two wires found previously. This will lock the rotor into a fixed position.
5. Connect AMT31 encoder to an AMT-DTZ-1 zero alignment module, the AMT Viewpoint™ application, or any suitable 5V serial interface.
6. Use any of the connected devices to issue an alignment command to the encoder. This will digitally set the rising edge of 'U' and the 'Z' index to the current angular position.
7. Remove power from motor phase windings; connect motor and encoder to proper motor driver.
8. If the above is done correctly your AMT31 encoder is now ready for operation. As a verification of alignment you may power the encoder, and use an oscilloscope to monitor phase 1 of the motor and the 'U' channel of the encoder as you hand spin the motor. If alignment is correct, the square wave generated on the 'U' channel will overlap perfectly with the sine wave generated by phase 1 of the motor. If alignment does not match, recheck motor documentation and retry alignment procedure.

## REVISION HISTORY

| rev. | description  | date       |
|------|--|------------|
| 1.0  | initial release  | 09/30/2014 |
| 1.01 | updated datasheet  | 06/25/2015 |
| 1.02 | updated datasheet  | 10/13/2015 |
| 1.03 | added 360 & 2500 PPR resolutions, increased operating temperature to 125°C | 12/18/2017 |
| 1.04 | changed outer mounting holes to be oblong on wide base version             | 10/10/2018 |
| 1.05 | brand update   | 11/21/2019 |
| 1.06 | updated quadrature duty cycle details                                      | 10/08/2020 |
| 1.07 | added motor shaft tolerance details, updated start-up details              | 09/10/2021 |
| 1.08 | logo, datasheet style update   | 08/05/2022 |

The revision history provided is for informational purposes only and is believed to be accurate.



CUI Devices offers a one (1) year limited warranty. Complete warranty information is listed on our website.

CUI Devices reserves the right to make changes to the product at any time without notice. Information provided by CUI Devices is believed to be accurate and reliable. However, no responsibility is assumed by CUI Devices for its use, nor for any infringements of patents or other rights of third parties which may result from its use.

CUI Devices products are not authorized or warranted for use as critical components in equipment that requires an extremely high level of reliability. A critical component is any component of a life support device or system whose failure to perform can be reasonably expected to cause the failure of the life support device or system, or to affect its safety or effectiveness.

[cuidevices.com](http://cuidevices.com)