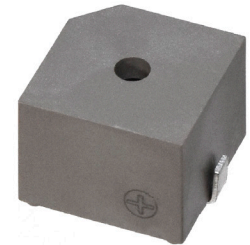


**MODEL:** CMI-1210-90-SMT-TR | **DESCRIPTION:** MAGNETIC BUZZER INDICATOR

**FEATURES**

- surface mount
- 90 dB
- magnetic
- internally driven



**SPECIFICATIONS**

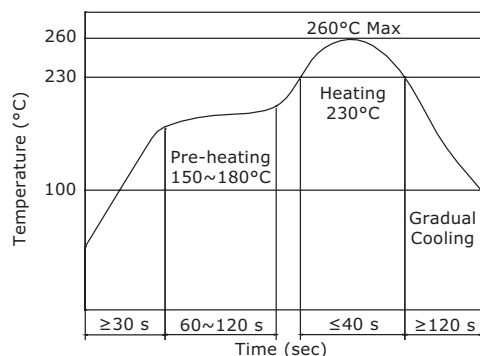
parameter	conditions/description	min	typ	max	units
rated voltage			5		Vdc
operating voltage		3		7	Vdc
current consumption	at rated voltage			30	mA
rated frequency		2,000	2,300	2,600	Hz
sound pressure level	at 10 cm, rated voltage	90			dB
dimensions	12.8 x 12.8 x 10				mm
weight			2.0		g
material	PPS				
terminal	surface mount (brass with tin plating)				
operating temperature		-40		85	°C
storage temperature		-40		85	°C
RoHS	yes				

Notes: 1. All specifications measured at 25±3°C, humidity at 60~70%, under 86-106 kPa pressure, unless otherwise noted.

**SOLDERABILITY**

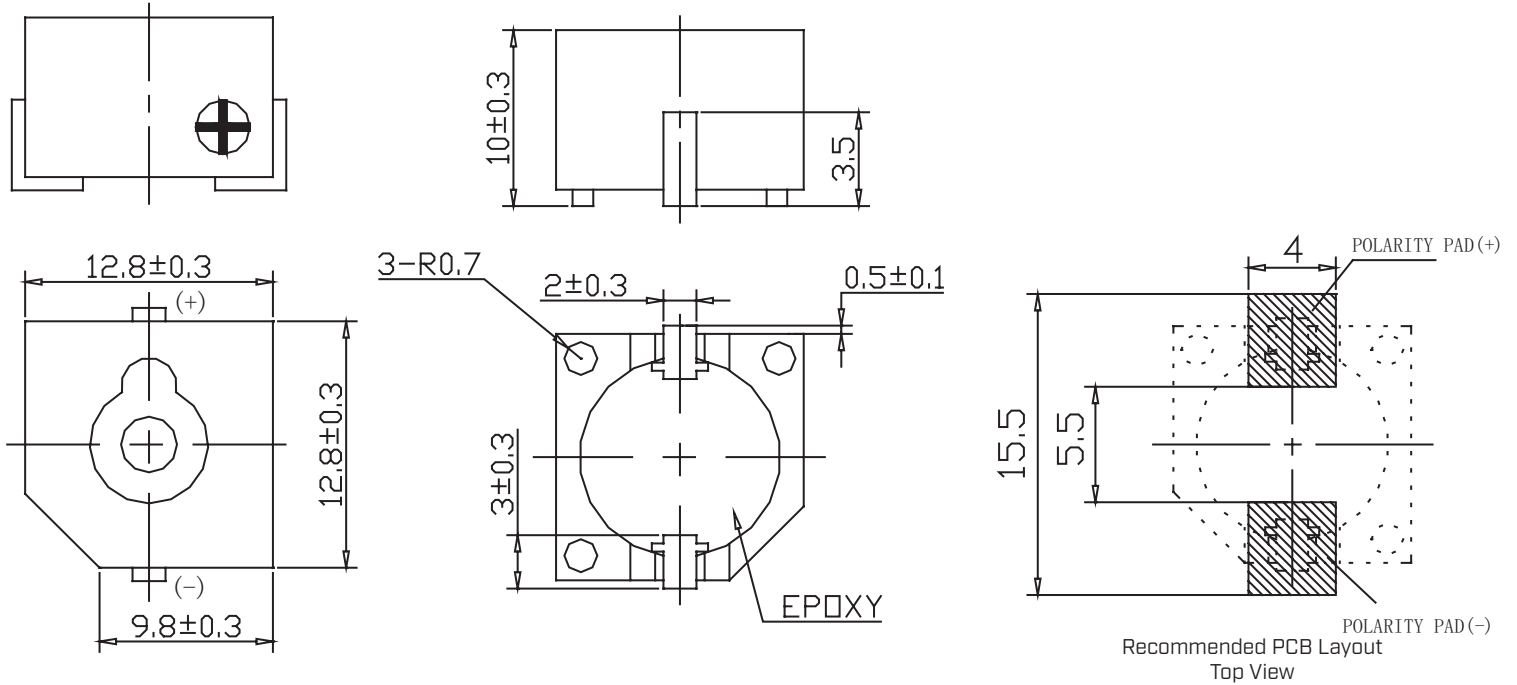
parameter	conditions/description	min	typ	max	units
reel storage	at relative humidity <60%			25	°C
reflow soldering <sup>2</sup>	see recommended reflow soldering profile			260	°C
drying conditions <sup>3</sup>	bake at 40°C for 24 hours				

Note: 2. It is recommended to reflow solder within 48 hours from opening vacuum packaging at a temperature <30°C & relative humidity <60%.  
 3. When out of packaging for more than 48 hours.



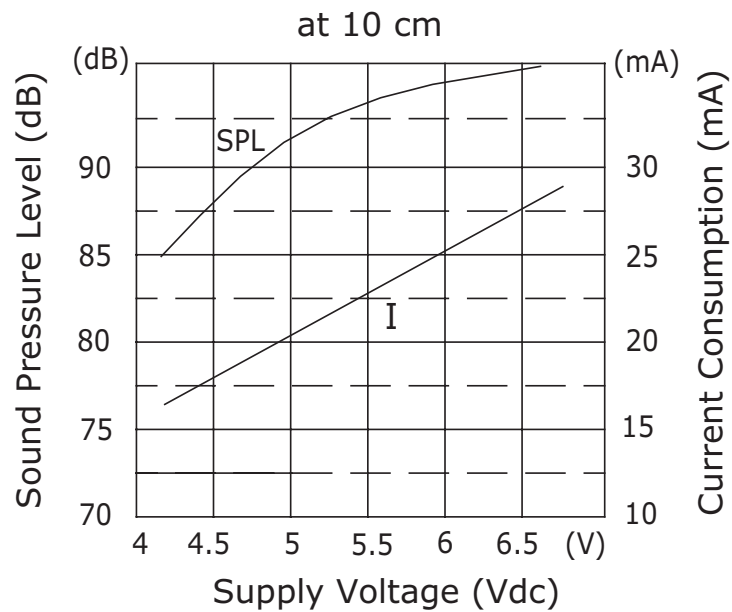
## MECHANICAL DRAWING

units: mm  
tolerance:  $\pm 0.5$  mm



## PERFORMANCE CURVES

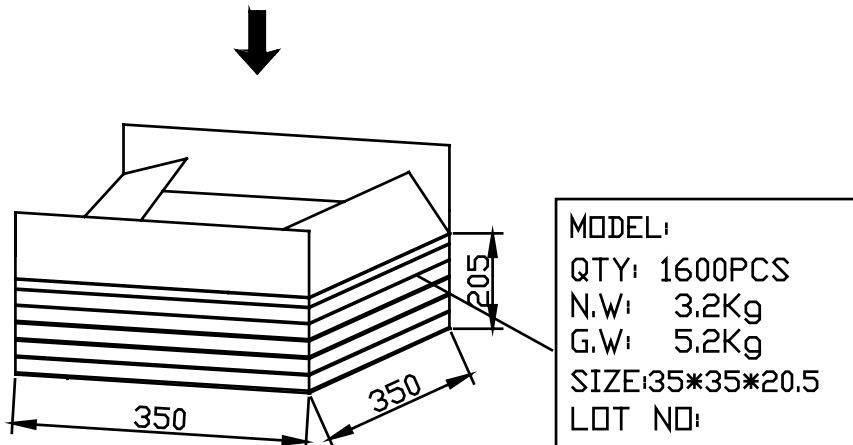
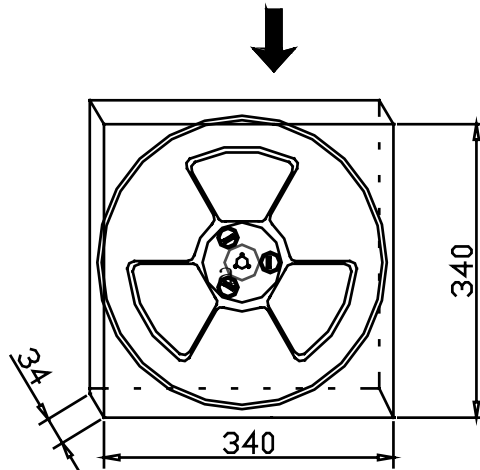
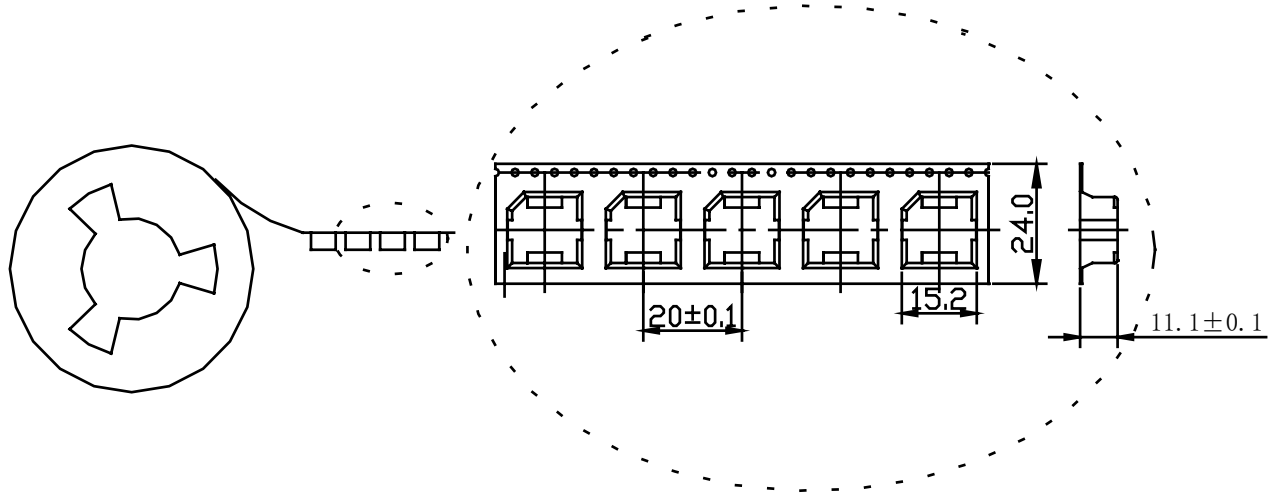
SPL: Voltage vs. Sound Pressure Level  
I: Voltage vs. Current Consumption



## PACKAGING

units: mm

Reel Size:  $\varnothing 330$  mm  
Reel QTY: 320 pcs per reel  
Carton Size: 350 x 350 x 205 mm  
Carton QTY: 1,600 pcs per carton



## REVISION HISTORY

rev.	description	date
1.0	initial release	07/11/2019
1.01	brand update	12/12/2019
1.02	logo, datasheet style update	08/05/2022

The revision history provided is for informational purposes only and is believed to be accurate.



CUI Devices offers a one (1) year limited warranty. Complete warranty information is listed on our website.

CUI Devices reserves the right to make changes to the product at any time without notice. Information provided by CUI Devices is believed to be accurate and reliable. However, no responsibility is assumed by CUI Devices for its use, nor for any infringements of patents or other rights of third parties which may result from its use.

CUI Devices products are not authorized or warranted for use as critical components in equipment that requires an extremely high level of reliability. A critical component is any component of a life support device or system whose failure to perform can be reasonably expected to cause the failure of the life support device or system, or to affect its safety or effectiveness.

[cuidevices.com](http://cuidevices.com)