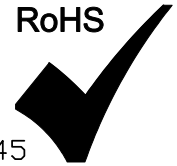


THE INFORMATION CONTAINED HEREIN IS CONSIDERED "PROPRIETARY" TO BEL FUSE INC. AND SHALL NOT BE COPIED, REPRODUCED OR DISCLOSED WITHOUT THE WRITTEN APPROVAL OF BEL FUSE INC.

RoHS



ELECTRICAL CHARACTERISTICS @ 25°C

URNS RATIO

TP1	1CT : 1CT ±2%
TP2	1CT : 1CT ±2%
TP3	1CT : 1CT ±2%
TP4	1CT : 1CT ±2%

CL @ 100kHz/100mVRMS

8mA DC BIAS (0°C - 70°C) 350µH MIN.

INS. LOSS

0.1MHz TO 1MHz	-1.1 dB MAX
1MHz TO 65MHz	-0.5 dB MAX
65MHz TO 100MHz	-0.8 dB MAX
100MHz TO 125MHz	-1.2 dB MAX

RET. LOSS (MIN) @ 100OHMS ±15%

0.5MHz-40MHz	-18 dB
40MHz-100MHz	-12+20LOG(f/80MHz) dB

CM TO CM REJ

100kHz - 100MHz -30 dB MIN

CM TO DM REJ

100kHz - 100MHz -35 dB MIN

HIPOT (Isolation Voltage):

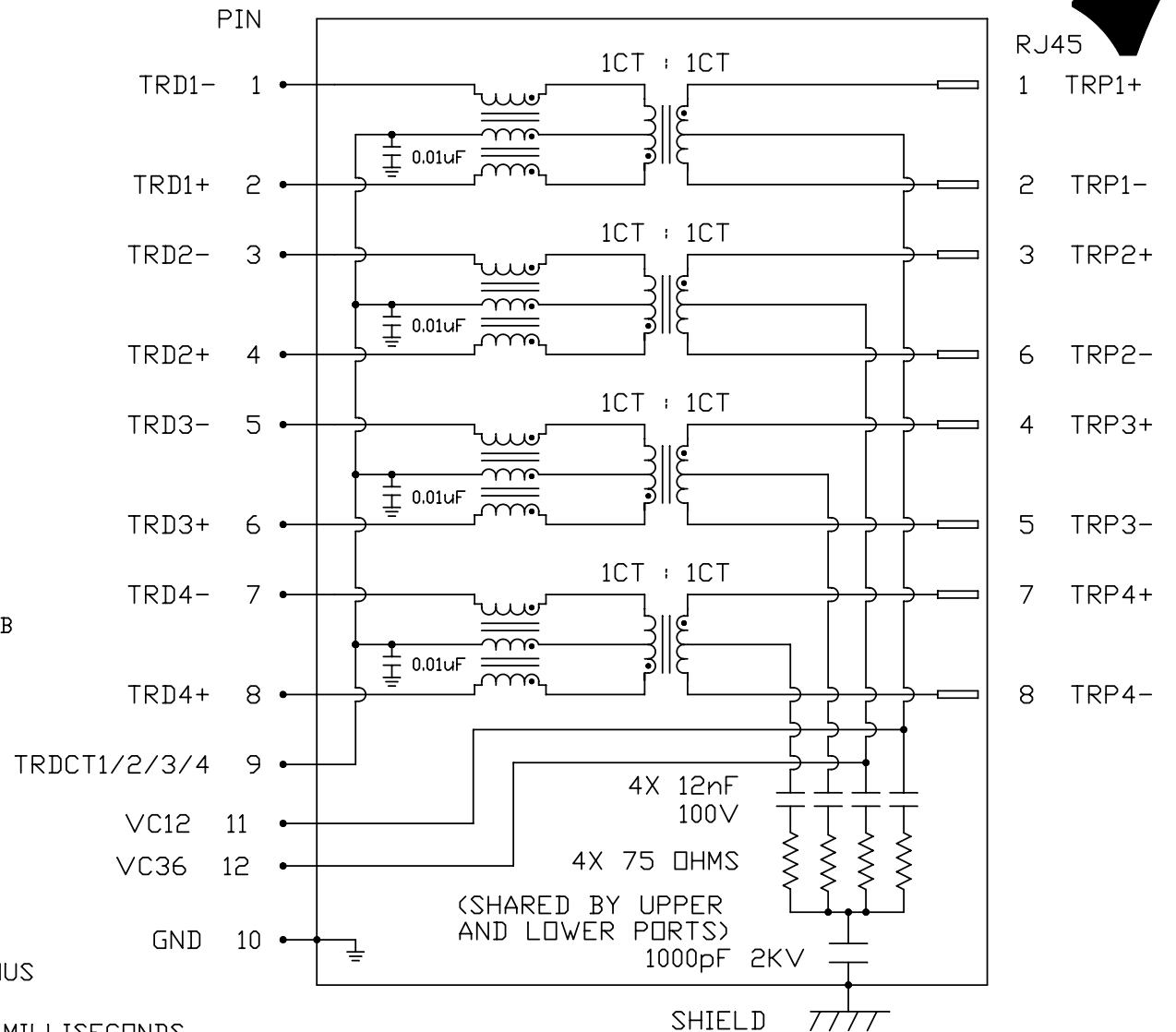
2250 VDC

100% OF PRODUCTION TESTED TO COMPLY WITH IEEE 802.3 ISOLATION REQUIREMENTS.

BALANCED DC LINE CURRENT

350 mA MAX.
@ 57 VDC CONTINUOUS
500 mA MAX.
@ 57 VDC for 200 MILLISECONDS

SCHEMATIC



ORIGINATED BY CHOW WANCHUNG	DATE 2012-07-30
DRAWN BY TAN QIGUANG	DATE 2012-07-30

TITLE 2X6 gigabit MagJack® VOIP
0854-2X6R-66-F PATENTED

PART NO. / DRAWING NO. 08542X6R66-F
FILE NAME 08542X6R66-F_C.DWG

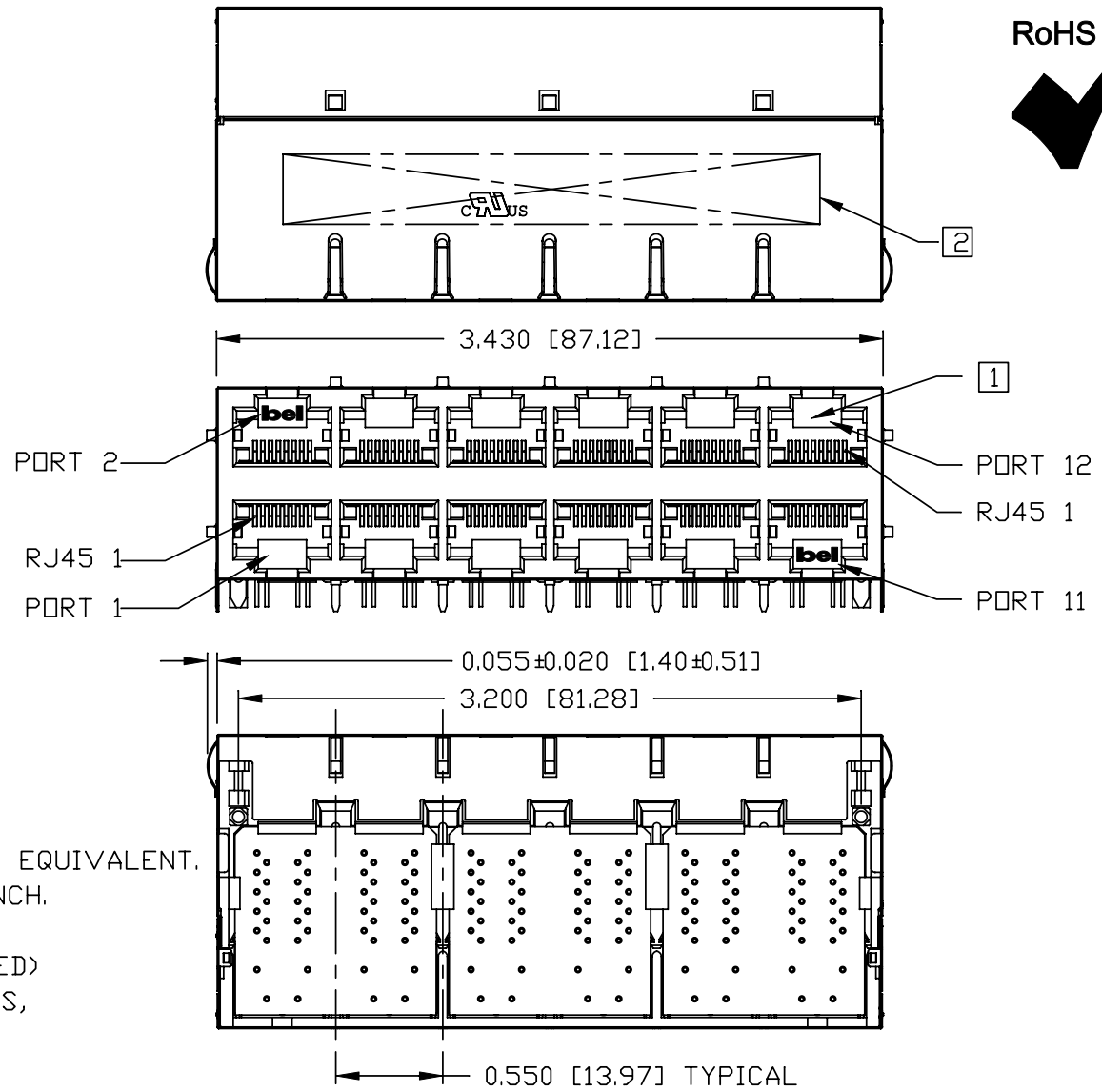
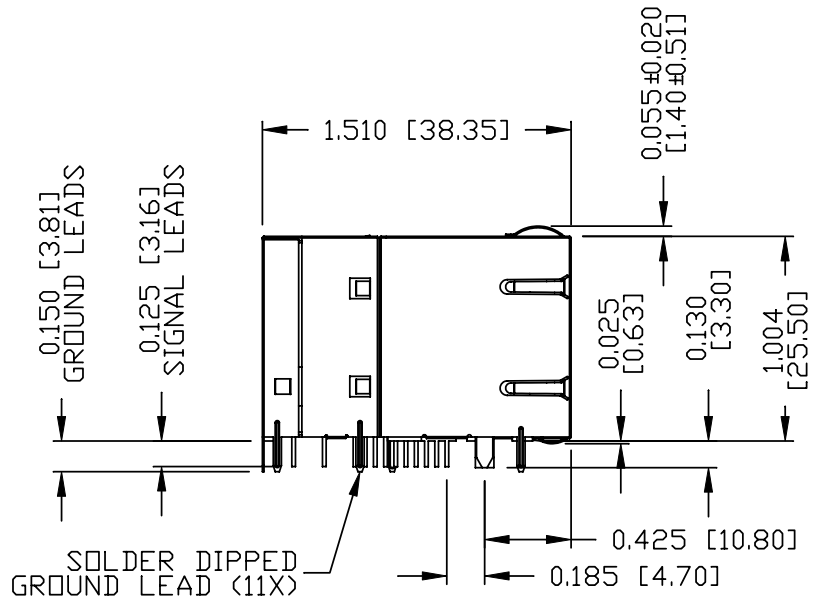
STANDARD DIM. TOL. IN INCH
.X
.XX
.XXX

[] METRIC DIM. AS REFERENCE
UNIT : INCH [mm]
SCALE : N/A
REV. : C
SIZE : A4
PAGE : 2



THE INFORMATION CONTAINED HEREIN IS CONSIDERED "PROPRIETARY" TO BEL FUSE INC. AND SHALL NOT BE COPIED, REPRODUCED OR DISCLOSED WITHOUT THE WRITTEN APPROVAL OF BEL FUSE INC.

RoHS



- NOTES:**
- PLASTIC HOUSING: THERMOPLASTIC PBT
FLAMMABILITY RATING UL 94V-0
 - CONTACT PLATING: 50 MICRO-INCH HARD GOLD PLATING OR EQUIVALENT.
 - OUTPUT PINS: TIN-COATED COPPER WIRE, DIA 0.018 INCH.
 - METAL SHIELD: NICKEL PLATED ON COPPER ALLOY.
(ALL GROUND LEADS ARE SOLDER DIPPED)

- 1. JACK CAVITY CONFORMS TO FCC RULES AND REGULATIONS, PART 68 SUBPART F.
- 2. MARK PART WITH MFG LOGO, PART NUMBER, DATE CODE, MFG NAME AND PATENTED.

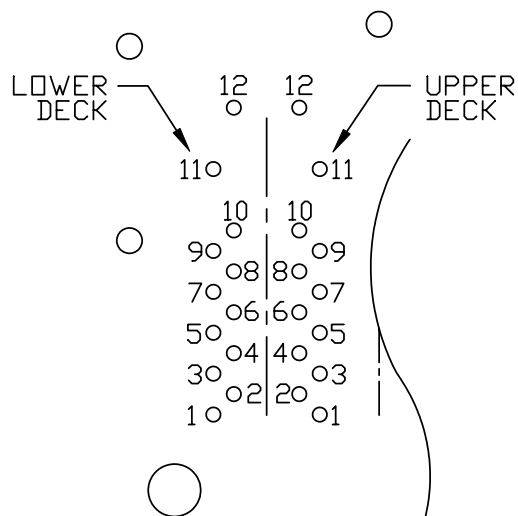
UL RECOGNIZED - FILE #E196366 AND E169987.
3. THE PRODUCT IS RoHS COMPLIANT.

4. THE PRODUCT IS PATENTED. THE PATENT NUMBER ARE U.S. PAT. 5,736,910 AND U.S. PAT. 6,840,817 AND U.S. PAT. 7,123,117.

ORIGINATED BY ANTON LIAO	DATE 2012-07-30	TITLE 2X6 gigabit MagJack® VOIP 0854-2X6R-66-F PATENTED	PART NO. / DRAWING NO. 08542X6R66-F		STANDARD DIM. TOL. IN INCH		[] METRIC DIM. AS REFERENCE		REV. : C	SIZE : A4	PAGE : 3	 COMPONENTS FOR A CONNECTED PLANET
			FILE NAME 08542X6R66-F_C.DWG		.X		UNIT : INCH [mm]	SCALE : N/A				
DRAWN BY HE ZHEN	DATE 2012-07-30				.XX							
					.XXX	±0.010						

THE INFORMATION CONTAINED HEREIN IS CONSIDERED 'PROPRIETARY' TO BEL FUSE INC. AND SHALL NOT BE COPIED, REPRODUCED OR DISCLOSED WITHOUT THE WRITTEN APPROVAL OF BEL FUSE INC.

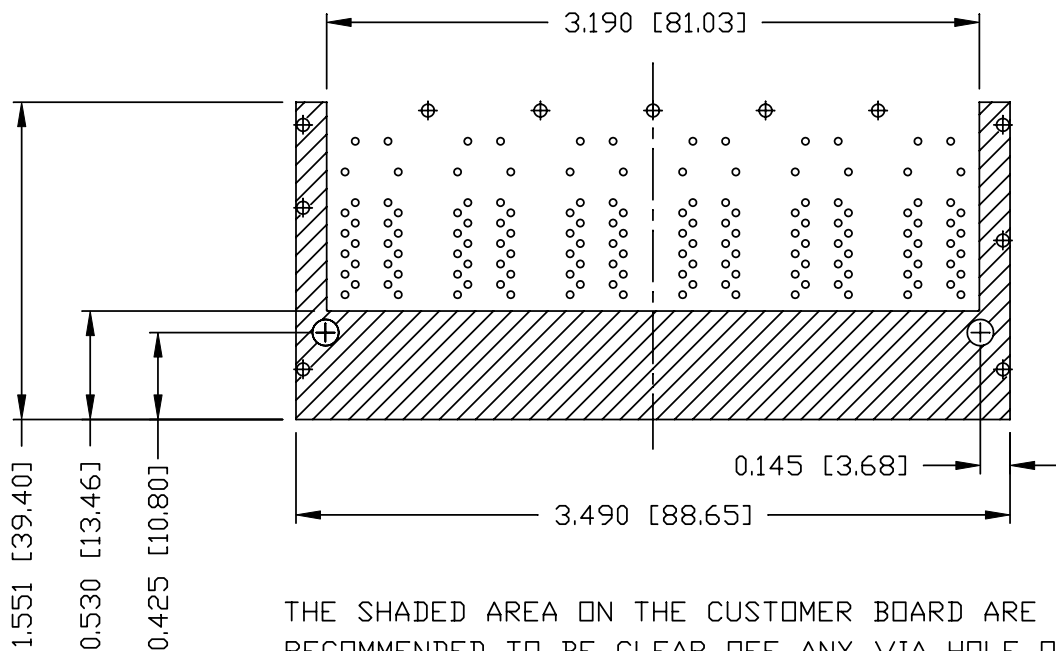
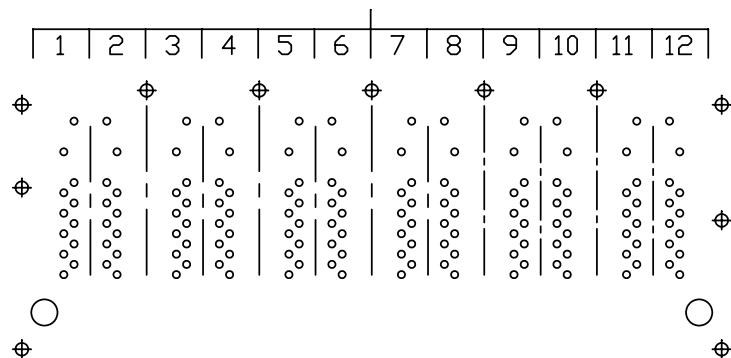
RoHS



PIN-OUT INFORMATION
(COMPONENT SIDE VIEW)

12	VC36
11	VC12
10	GND
9	TRCT1/2/3/4
8	TRD 4+
7	TRD 4-
6	TRD 3+
5	TRD 3-
4	TRD 2+
3	TRD 2-
2	TRD 1+
1	TRD 1-

PORT ASSIGNMENT
(COMPONENT SIDE VIEW)



THE SHADED AREA ON THE CUSTOMER BOARD ARE RECOMMENDED TO BE CLEAR OFF ANY VIA HOLE OR COMPONENT PAD.

ORIGINATED BY ANTON LIAO	DATE 2012-07-30
DRAWN BY HE ZHEN	DATE 2012-07-30

TITLE 2X6 gigabit MagJack® VOIP
0854-2X6R-66-F PATENTED

PART NO. / DRAWING NO. 08542X6R66-F
FILE NAME 08542X6R66-F_C.DWG

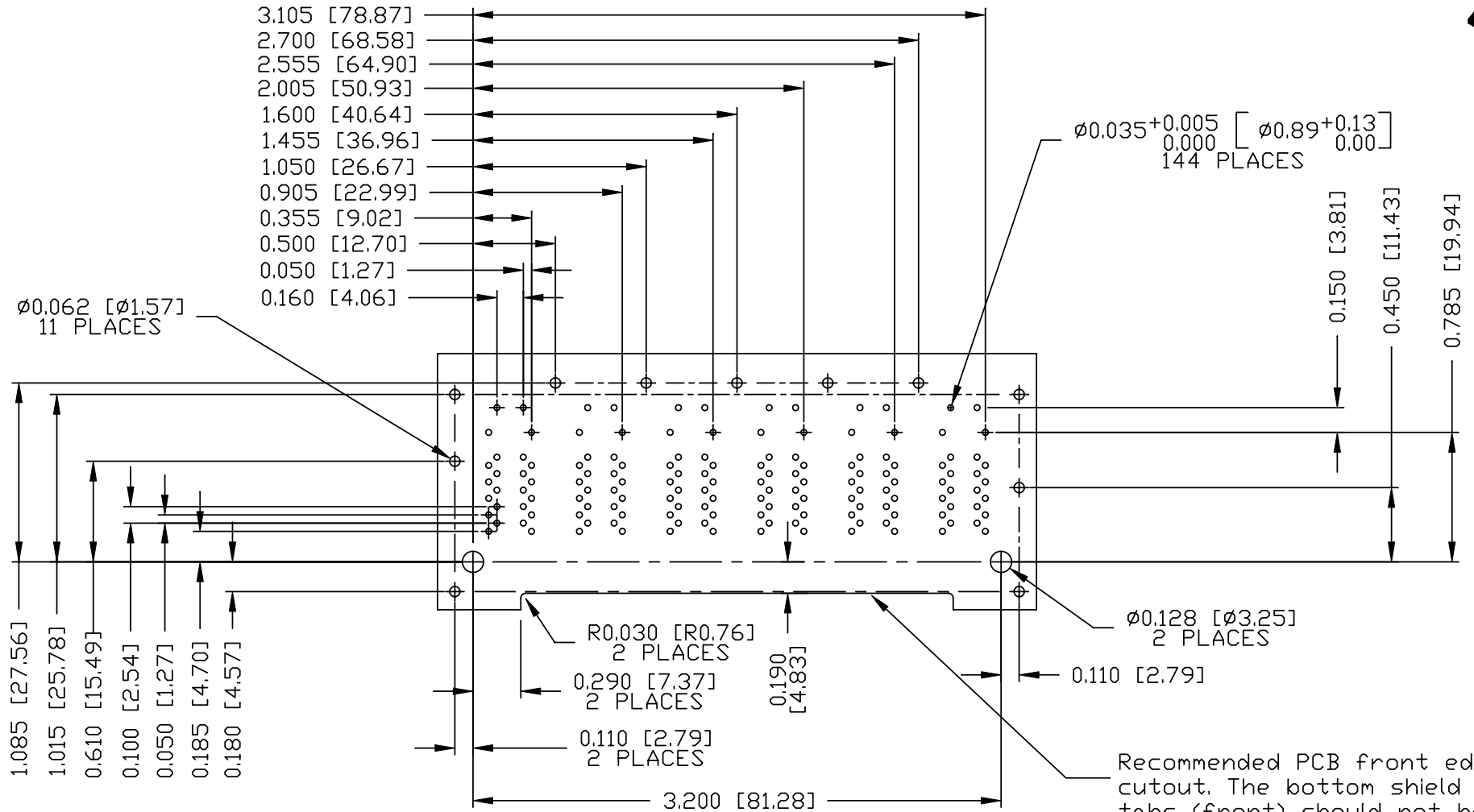
STANDARD DIM. TOL. IN INCH
.X
.XX
.XXX ±0.004

[] METRIC DIM. AS REFERENCE	
UNIT : INCH [mm]	REV. : C
SCALE : N/A	SIZE : A4
	PAGE : 4



THE INFORMATION CONTAINED HEREIN IS CONSIDERED "PROPRIETARY" TO BEL FUSE INC. AND SHALL NOT BE COPIED, REPRODUCED OR DISCLOSED WITHOUT THE WRITTEN APPROVAL OF BEL FUSE INC.

RoHS



SUGGESTED FOOTPRINT
(COMPONENT SIDE VIEW)

Recommended PCB front edge cutout. The bottom shield ground tabs (front) should not be seated on the top of the PCB.

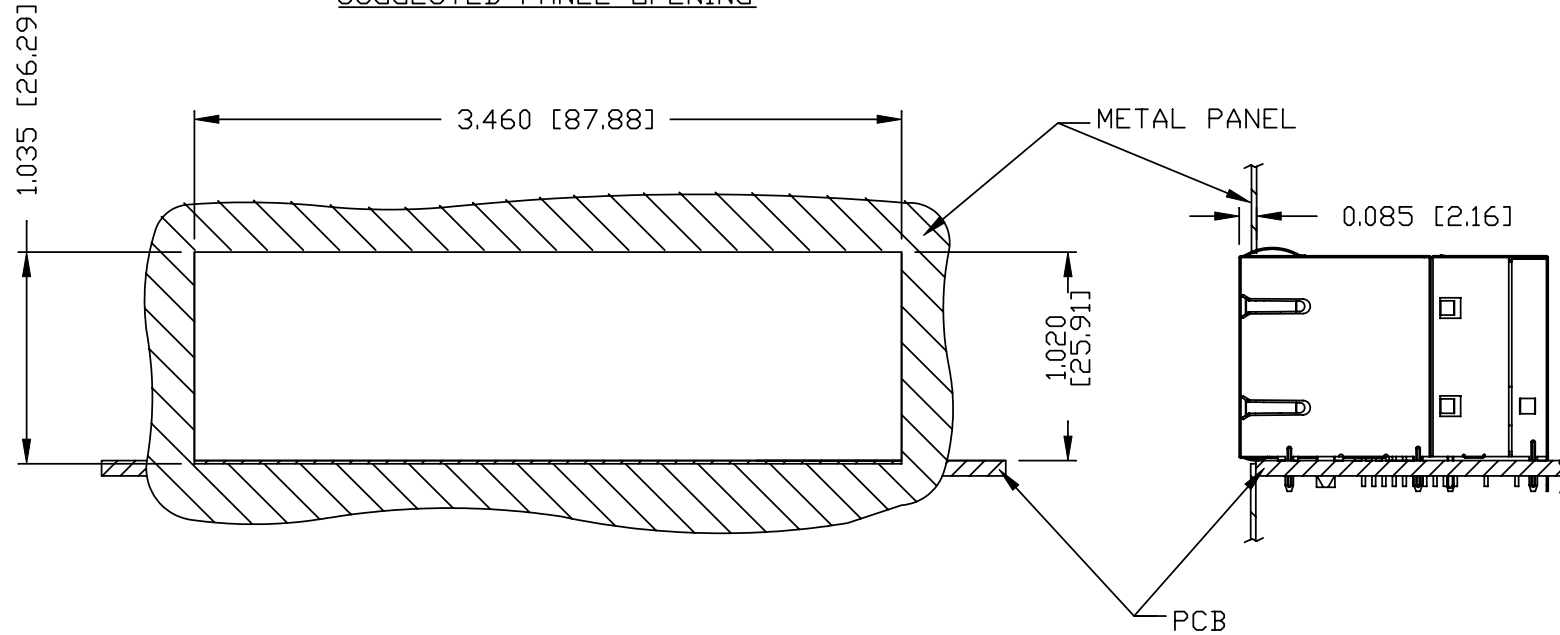
ORIGINATED BY ANTON LIAO	DATE 2012-07-30	TITLE 2X6 gigabit MagJack® VOIP 0854-2X6R-66-F PATENTED	PART NO. / DRAWING NO. 08542X6R66-F		STANDARD DIM. TOL. IN INCH		[] METRIC DIM. AS REFERENCE		bel COMPONENTS ON A CONNECTED PLANET
	DRAWN BY HE ZHEN		DATE 2012-07-30	FILE NAME 08542X6R66-F_C.DWG	.X .XX .XXX	 #0.004	UNIT : INCH [mm] SCALE : N/A	REV. : C SIZE : A4 PAGE : 5	

THE INFORMATION CONTAINED HEREIN IS CONSIDERED "PROPRIETARY" TO BEL FUSE INC. AND SHALL NOT BE COPIED, REPRODUCED OR DISCLOSED WITHOUT THE WRITTEN APPROVAL OF BEL FUSE INC.

RoHS



SUGGESTED PANEL OPENING



NOTE:

THE DISTANCE OF PANEL INSIDE SURFACE RELATIVE TO FRONT SURFACE OF PART IS ONLY A SUGGESTION. IN CASE THIS DISTANCE IS DIFFERENT, THE REQUIRED PANEL OPENING DIMENSIONS CHANGE ACCORDINGLY.

PACKING INFORMATION

PACKING TRAY : 0200-9999-B7 (TOP)
0200-9999-B8 (BOTTOM)

PACKING QUANTITY : 15 PCS FINISHED GOODS PER TRAY.
5 TRAYS (75 PCS FINISHED GOODS) PER CARTON BOX.

NOTE : CARDBOARDS ARE PLACED BETWEEN LAYERS OF PACKING TRAY INSIDE CARTON BOX.
(INCLUDE THE UPPERMOST AND LOWERMOST TRAY)

ORIGINATED BY ANTON LIAO	DATE 2012-07-30	TITLE 2X6 gigabit MagJack® VOIP 0854-2X6R-66-F PATENTED	PART NO. / DRAWING NO. 08542X6R66-F	STANDARD DIM.		[] METRIC DIM. AS REFERENCE		
				TOL. IN INCH		UNIT : INCH [mm]	REV. : C	
DRAWN BY HE ZHEN	DATE 2012-07-30		FILE NAME 08542X6R66-F_C.DWG	.X	/	SCALE : N/A	SIZE : A4	
				.XX			⊕	PAGE : 6
				.XXX				

