

# Wire to Board Terminal Block **multicomp**PRO

**RoHS  
Compliant**

## Specifications

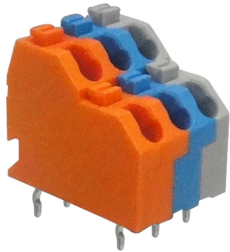
Technical data in accordance to UL/CUL

Current Rating : 10A 300V (UG B/D)  
 Insulation withstands voltage : 1600V AC 1min  
 Insulation Resistance : >2000MΩ 500V DC  
 Wire Range : 14AWG to 22AWG

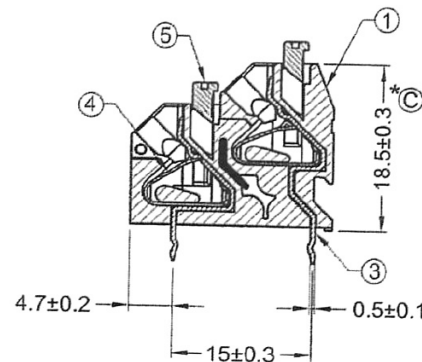
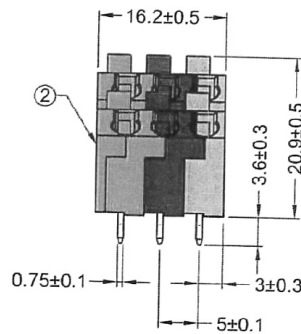
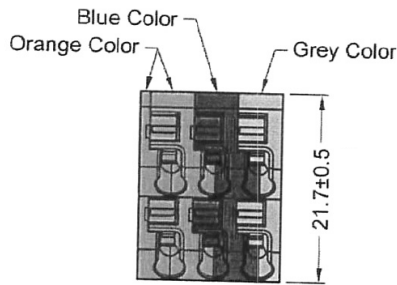
Approval data in accordance to IEC 60998-1/60998/2-2

Rated Insulation Voltage : 300V  
 Rated Current : 10A  
 Wire Range : 0.34mm<sup>2</sup> - 1.5mm<sup>2</sup>  
 2.5mm<sup>2</sup>  
 (rigid solid, flexible)

Operating Temperature : -40°C to +105°C  
 Wire Strip Length : 9mm

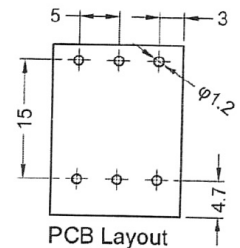


## Diagram



Pitch Spacing : 5mm

No.	Material	Plating/Finish	Remark
1	Insulating body	Polyamide 66(UL94V-0)	-
2	Cover		Orange
3	Terminal	Copper	Tin Plated
4	Spring	Stainless strip Steel	-
5	Lever	Polyamide 66(UL94V-0)	-



## Part Number Table

Description	Part Number
Terminal Block, Pitch 5mm, 6P	MP012680

Dimensions : Millimetres

**Important Notice :** This data sheet and its contents (the "Information") belong to the members of the AVNET group of companies (the "Group") or are licensed to it. No licence is granted for the use of it other than for information purposes in connection with the products to which it relates. No licence of any intellectual property rights is granted. The Information is subject to change without notice and replaces all data sheets previously supplied. The Information supplied is believed to be accurate but the Group assumes no responsibility for its accuracy or completeness, any error in or omission from it or for any use made of it. Users of this data sheet should check for themselves the Information and the suitability of the products for their purpose and not make any assumptions based on information included or omitted. Liability for loss or damage resulting from any reliance on the Information or use of it (including liability resulting from negligence or where the Group was aware of the possibility of such loss or damage arising) is excluded. This will not operate to limit or restrict the Group's liability for death or personal injury resulting from its negligence. Multicomp Pro is the registered trademark of Premier Farnell Limited 2019.

Newark.com/multicomp-pro  
 Farnell.com/multicomp-pro  
 sg.element14.com/b/multicomp-pro

**multicomp**PRO