

Catch our keynote at Computex: NXP CTO Lars Reger unveils our "Brighter Together" approach

ADD TO CALENDAR ([HTTPS://WWW.NXP.COM/DOCS/EN/SUPPORTING-INFORMATION/NXP KEYNOTE AT COMPUTEX LARS REGER CTO - GLOBAL.ICS](https://www.nxp.com/docs/en/supporting-information/nxp-keynote-at-computex-lars-reger-cto-global-ics))

[Overview](#) [Product Details](#) [Documentation](#) [Design Resources](#)  [Support](#)

[BUY OPTIONS](#)

[Home \(/\)](#) / [Design Center \(/design/design-center:DESIGN\)](/design/design-center:DESIGN) / [Software \(/design/design-center/software:SOFTWARE-HOME\)](/design/design-center/software:SOFTWARE-HOME)
/ [QorIQ Developer Resources \(/design/design-center/software/qoriq-developer-resources:QORIQ_SW_DEV\)](/design/design-center/software/qoriq-developer-resources:QORIQ_SW_DEV)
/ [LS1088A-RDB](#) | [LS1088A](#)

Layerscape LS1088A Reference Design Board

LS1088A-RDB [Receive alerts](#) 

QorIQ LS1088A Reference Design Board Overview



Click over video to play

mail/LS1088A
VID.jpg) [pages/en/p
RDB-PR](#)

The LS1088A reference design board provides a comprehensive platform that enables design and evaluation of the product (LS1088A processor). This RDB comes pre-loaded with a board support package (BSP) based on a standard Linux kernel.

- Enables network intelligence with the next generation Datapath (DPPA2) which provides differentiated offload and a rich set of IO
- Simplifies programming with C based libraries of common networking protocols
- Delivers unprecedented efficiency and new virtualized networks
- Supports designs in enterprise SDN switching Virtual CPE, Wireless Access Point to meet the required performance and stay within a strict power budget



DESIGN FILES

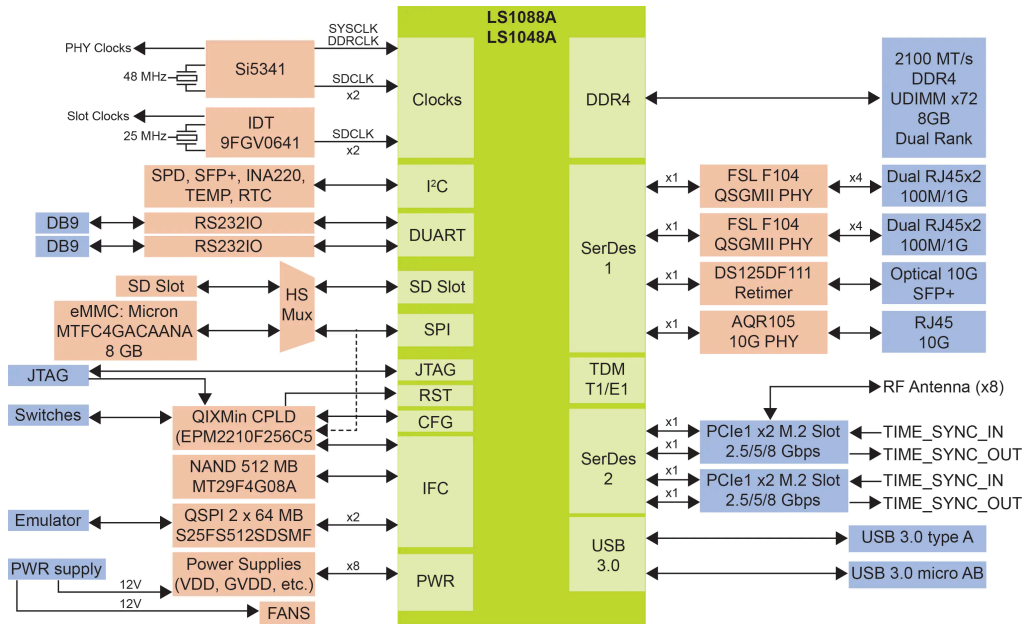
SOFTWARE

Product Details

Block Diagram | Supported Devices | Features

Block Diagram

Layerscape LS1088A



Supported Devices

[Overview](#) [Product Details](#) [Documentation](#) [Design Resources](#) ⓘ [Support](#)

[BUY OPTIONS](#)

Processors and Microcontrollers

Layerscape Processors

- **LS1088A** (/products/processors-and-microcontrollers/arm-processors/layerscape-processors/layerscape-1088a-and-1048a-processor:LS1088A): Layerscape® 1088A and 1048A Processor

Features

Processor

- LS1088A eight-core processor based on Arm® Cortex®-A53
- Speed up to 1.8GHz
- 2MB L2 Cache
- Neon SIMD

Memory

- SDRAM Supporting dual ranked DIMM slot
- One x DDR4 uDIMM/RDIMM x72, 2.1 GT/s data rate, ECC enable
- 2GB NAND flash with ECC support
- QSPI Support
 - 2 devices up to 64 MB
- SD slots supporting:
 - External cards
 - UHS-1 modes: SDR12, SDR25, SDR50, SDR104, DDR50
- On-board eMMC supporting:
 - 8GB memory
 - HS-200 + DDR modes

Ethernet

- Support for up to 4-ports of 1 GbE, (4xRJ45), SFP+
- Support 1-port of 10GbE (1xRJ45))

Basic Peripherals and Interconnect

- PCI Express
 - One standard slot x1 PCIe connector supporting PCIe Gen3
 - Two mini PCIe slots (PCIe Gen3) supporting horizontal and vertical configuration
- USB 3.0
 - Two USB 3.0 ports with one type A connector and one type micro-AB connector on the front panel connected to a USB PHY supporting Host Mode and OTG Mode
- SATA
 - 1xSATA connector

