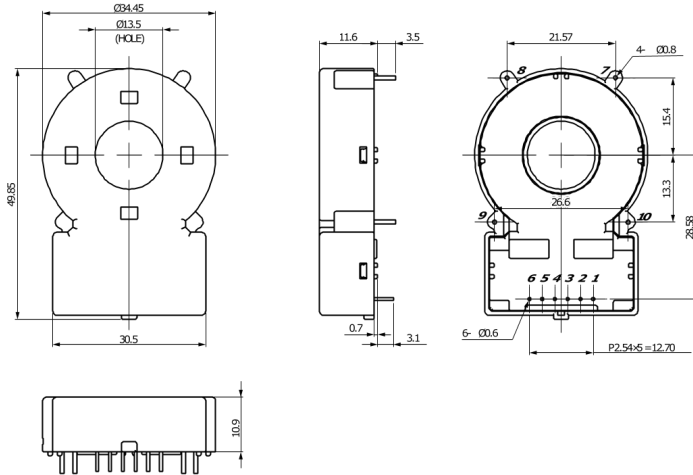


FG-R01-4GA

Aliases (USETR014GAA000)

KEMET, FG-R01, Current, Through-Hole, Residual, Open-loop, Fluxgate-Based Current Detection, PCB Mounting



Click [here](#) for the 3D model.

Dimensions

D	34.45mm NOM
L	30.5mm MAX
W	49.85mm MAX
T	10.9mm MAX
LL	3.5mm MAX

Packaging Specifications

Packaging	Tray, Box
Packaging Quantity	300
Typical Component Weight	20 g

General Information

Series	FG-R01
Type	Current
Style	Through-Hole
Description	Fluxgate-Based Residual Current Sensor
Features	Open-loop, Fluxgate-Based Current Detection, PCB Mounting
Lead	6 Pin
RoHS	Yes
REACH	Yes
Qualifications	UL

Specifications

Temperature Range	-40/+105°C
Voltage DC	2.25 V (PIN3, Analog Output; typical)
Power Supply Voltage	5 V +/- 5%
Current	6 mA (MAX, 60 Hz; CCID5 Detection), 20 mArms (MAX, 60 Hz; CCID20 Detection)
Sensitivity	40 V/A (PIN3, AOUT; typical)
Frequency Range	150 Hz MAX (at -3 dB; PIN3 AOUT)
Measuring Range	+/-50 mA
AC Alarm Response Time	200 maximum (ms, @20 mArms); 20 maximum (ms, @150 mArms); 10 maximum (ms, @264 mArms)
DC Alarm Response Time	200 maximum (ms, @6 mA); 100 maximum (ms, @20 mA); 20 maximum (ms, @150 mA); 10 maximum (ms, @264 mA)