

Description: 1608 Diplexer
PART NUMBER: DPX1608LKEDR2460L
Features:

- Compact Size
- Low loss
- High Soldering Heat Resistance

Applications:

- WiFi

ELECTRICAL SPECIFICATIONS
Low-Band

Item	Frequency Range(MHz)	Min.	Typ.	Max.
Insertion Loss (dB)	2400~2500	-	0.53	0.7
Return Loss (dB)	2400~2500	12	22.4	-
Attenuation (dB)	3300~4800	2	4.7	-
	4800~5000	33	36.7	-
	5170~7125	28	37.0	-
	7200~7500	30	43.8	-
	9600~10000	24	28.8	-
	12000~12500	17	20.4	-

In the effort to improve our products, we reserve the right to make changes judged to be necessary.

CONFIDENTIAL AND PROPRIETARY INFORMATION

This document contains confidential and proprietary information of Pulse Electronics, Inc. (Pulse) and is protected by copyright, trade secret and other state and federal laws. Its receipt or possession does not convey any rights to reproduce, disclose its contents, or to manufacture, use or sell anything it may describe. Reproduction, disclosure or use without specific written authorization of Pulse is strictly forbidden.

For more information:

Pulse Worldwide Headquarters
 15255 Innovation Drive #100
 San Diego, CA 92128
 USA
 Tel:1-858-674-8100

Pulse/Larsen Antennas
 18110 SE 34th St Bldg 2 Suite 250
 Vancouver, WA 98683
 USA
 Tel: 1-360-944-7551

Europe Headquarters
 Pulse GmbH & Do, KG
 Zeppelinstrasse 15
 Herrenberg, Germany
 Tel: 49 7032 7806 0

Pulse (Suzhou) Wireless Products Co, Inc.
 99 Huo Ju Road(#29 Bldg,4th Phase
 Suzhou New District
 Jiangsu Province, Suzhou 215009 PR China
 Tel: 86 512 6807 9998



Description: 1608 Diplexer

PART NUMBER: DPX1608LKEDR2460L

ELECTRICAL SPECIFICATIONS

High-Band

Item	Frequency Range(MHz)	Min.	Typ.	Max.
Insertion Loss (dB)	5170~7125	-	0.77	0.9
Return Loss (dB)	5170~7125	10	17.7	-
Attenuation (dB)	70~108	40	50.0	-
	700~915	35	41.0	-
	915~960	35	41.4	-
	1425~1470	35	44.8	-
	1470~1557	35	44.9	-
	1557~1607	35	46.9	-
	1710~1785	35	48.9	-
	1805~1850	35	49.8	-
	1850~1910	35	49.1	-
	1910~2020	35	47.6	-
	2110~2200	30	40.8	-
	2300~2400	26	35.0	-
	2400~2500	25	32.5	-
	2500~2690	20	28.9	-
	3400~3800	10	16.1	-
	10340~14250	25	27.3	-
15510~16500	27	33.1	-	
16500~21375	-	-	12.5	-

Common

Item	Frequency Range(MHz)	Min.	Typ.	Max.
Return Loss (dB)	2400~2500	10	17.6	-
	5170~7125	10	19.6	-

Operating Temperature Range : -40~85°C

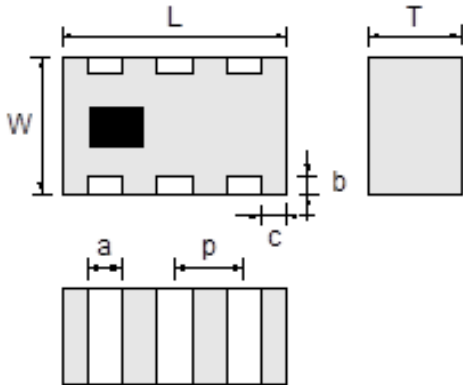
Power Capacity : 3W max.

Description: 1608 Diplexer

PART NUMBER: DPX1608LKEDR2460L

MECHANICAL DIMENSION

Outline



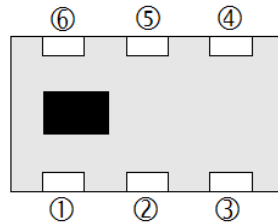
Dimension

L	W	T	a
1.60±0.15	0.80±0.10	0.60±0.10	0.20±0.10
b	c	p	
0.15±0.10	0.20±0.10	0.50±0.05	

NOTE : Dimensions in mm.

Termination

Top View

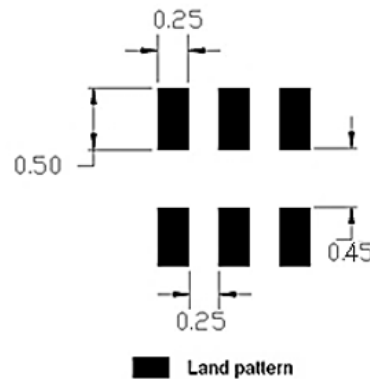
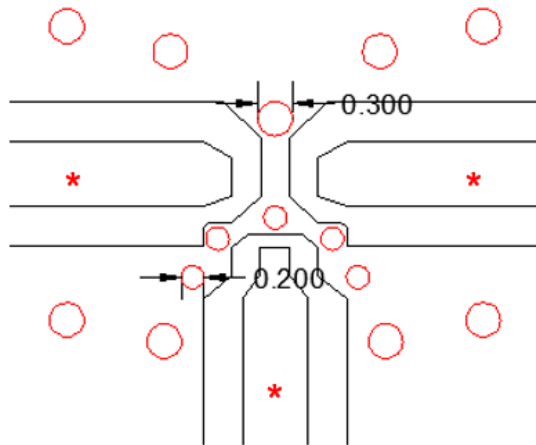


Terminal name

Function

1	GND
2	Common
3	GND
4	High band
5	GND
6	Low band

Reference design of EVB



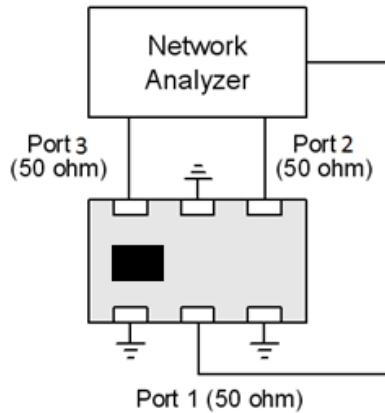
Unit : mm

*Line width should be designed to match 50Ω characteristic impedance, depending on PCB material and thickness.

Description: 1608 Diplexer

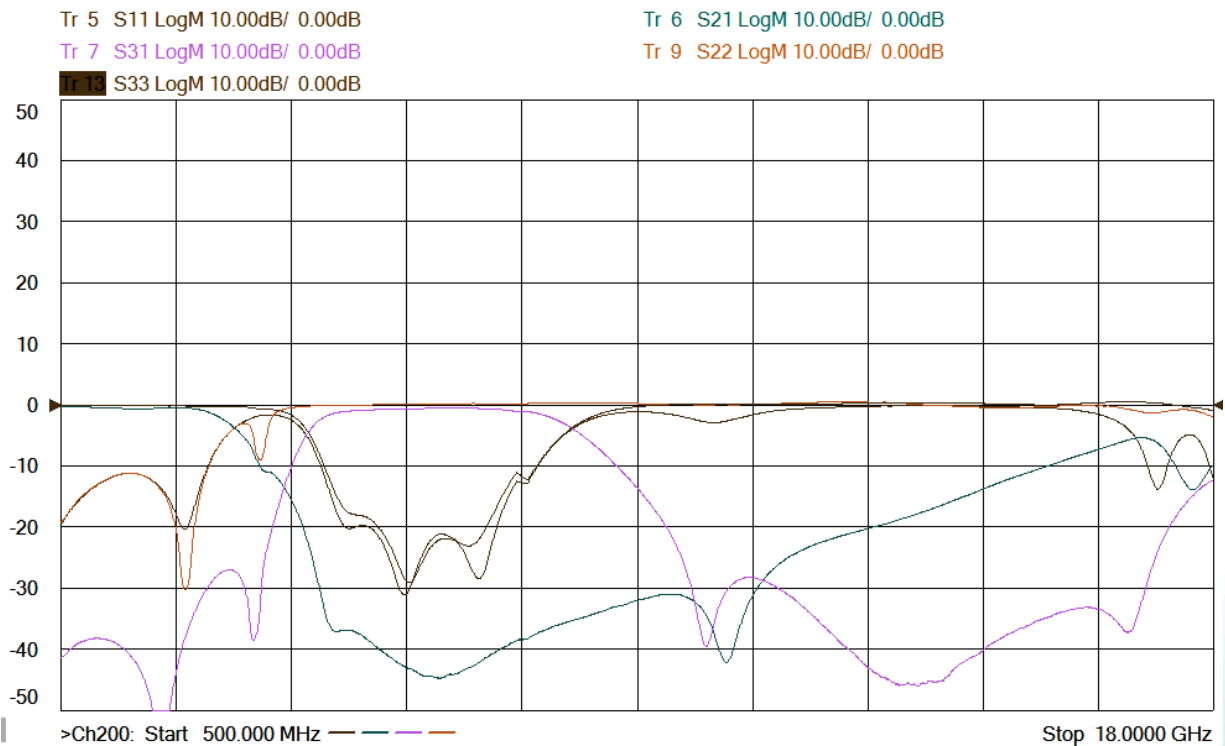
PART NUMBER: DPX1608LKEDR2460L

MEASURING DIAGRAM



Test Instrument :
Agilent E5071C Network Analyzer or equivalent.

ELECTRICAL PERFORMANCES



In the effort to improve our products, we reserve the right to make changes judged to be necessary.

CONFIDENTIAL AND PROPRIETARY INFORMATION

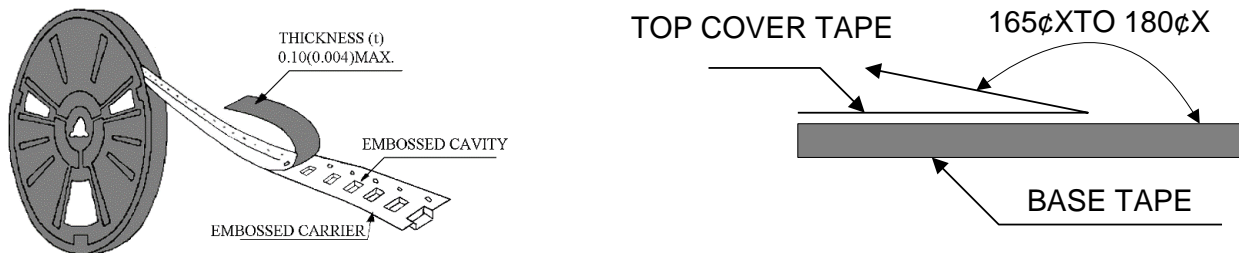
This document contains confidential and proprietary information of Pulse Electronics, Inc. (Pulse) and is protected by copyright, trade secret and other state and federal laws. Its receipt or possession does not convey any rights to reproduce, disclose its contents, or to manufacture, use or sell anything it may describe. Reproduction, disclosure or use without specific written authorization of Pulse is strictly forbidden.

Description: 1608 Diplexer

PART NUMBER: DPX1608LKEDR2460L

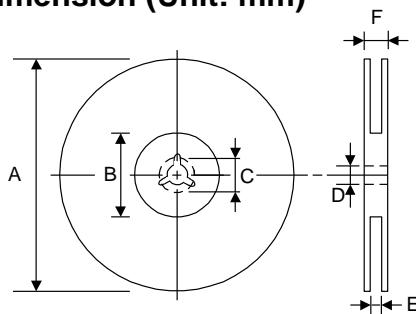
PACKING SPECIFICATION

Peel-off force



The force for peeling of cover tape is 10 grams in the arrow direction.

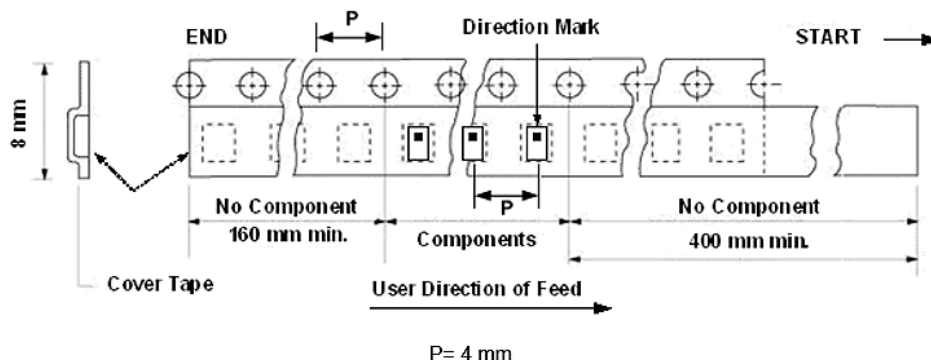
Dimension (Unit: mm)



TYPE	A	B	C	D	E	F
8 mm	178±1	60+0.5 -0	-	13±0.2	9±0.5	12±0.5
12 mm	178±0.3	60±0.2	19.3±0.1	13.5±0.1	13.6±0.1	-

Taping quantity

SERIES	5824 5724	5320 5220	4532	4516	3225	3216 2520	2012 1608	1005 0605
PCS/Reel	5000	3000	1000	2000	2500	3000	4000	10000



Carrier material : PC

In the effort to improve our products, we reserve the right to make changes judged to be necessary.
CONFIDENTIAL AND PROPRIETARY INFORMATION

This document contains confidential and proprietary information of Pulse Electronics, Inc. (Pulse) and is protected by copyright, trade secret and other state and federal laws. Its receipt or possession does not convey any rights to reproduce, disclose its contents, or to manufacture, use or sell anything it may describe. Reproduction, disclosure or use without specific written authorization of Pulse is strictly forbidden.

Description: 1608 Diplexer**PART NUMBER: DPX1608LKEDR2460L****REVISION HISTORY**

Revision	Date	Description
Version 1	Apr. 13, 2022	- New issue