

2378100-1 ✓ ACTIVE

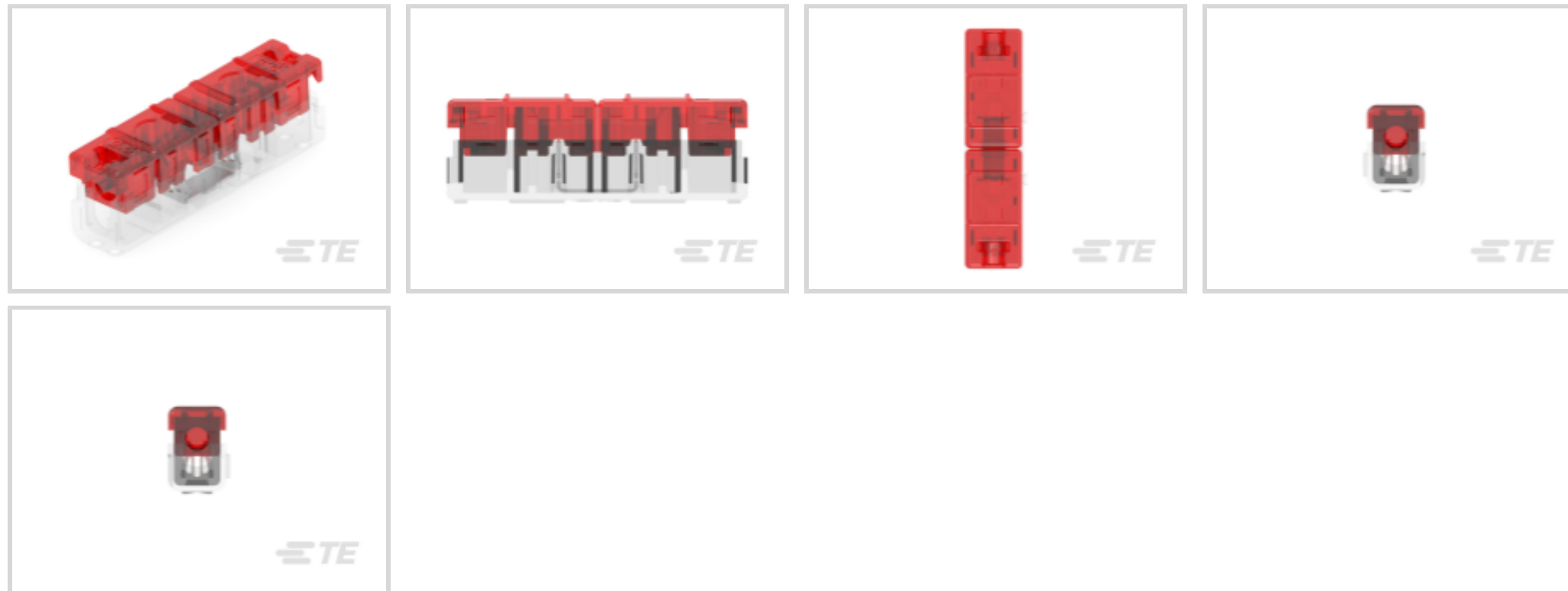
TE Internal #: 2378100-1

Splices, 12 - 14 AWG Wire Size, 2.5 mm² Wire Size, Sealable, Splice Capacity 2, Copper-Nickel-Silicon, Length 1.77 in [45 mm], Box & Carton

[View on TE.com >](#)



Terminals & Splices > Splices



Wire Size: 2.5 mm²

Sealable: **Yes**

Splice Capacity: 2

Compatible Insulation Diameter Range: 4.1 mm [.161 in]

Features

Product Type Features

Sealable	Yes
Compatible With Discrete Wire Type	Stranded
Wire Insulation Support Retention Type	Insulation Support

Configuration Features

Splice Capacity	2
Compatible With Wire & Cable Type	Discrete Wire

Electrical Characteristics

Current Rating	20 A
Operating Voltage	600 V

Body Features

Button Color	Red
Product Weight	4.755 g

Contact Features

Contact Base Material	Copper-Nickel-Silicon
-----------------------	-----------------------

Mechanical Attachment



Wire Insulation Support	With
-------------------------	------

Dimensions

Wire Size	2.5 mm ²
Compatible Insulation Diameter Range	4.1 mm[.161 in]
Product Length	45 mm[1.77 in]

Usage Conditions

Insulation Option	Fully Insulated
Operating Temperature Range	-40 - 105 °C[-40 - 221 °F]

Operation/Application

Compatible With Wire Base Material	Copper
------------------------------------	--------

Industry Standards

Compatible With Agency/Standards Products	UL
Compatible With Approved Standards Products	UL 486C
UL Flammability Rating	UL 94V-0

Packaging Features

Packaging Method	Box & Carton
------------------	--------------

Product Compliance

[For compliance documentation, visit the product page on TE.com>](#)

EU RoHS Directive 2011/65/EU	Compliant
EU ELV Directive 2000/53/EC	Compliant
China RoHS 2 Directive MIIT Order No 32, 2016	No Restricted Materials Above Threshold
EU REACH Regulation (EC) No. 1907/2006	Current ECHA Candidate List: JAN 2024 (240) Candidate List Declared Against: JUNE 2023 (235) Does not contain REACH SVHC
Halogen Content	Low Halogen - Br, Cl, F, I < 900 ppm per homogenous material. Also BFR/CFR/PVC Free
Solder Process Capability	Not reviewed for solder process capability

Product Compliance Disclaimer

This information is provided based on reasonable inquiry of our suppliers and represents our current actual knowledge based on the information they provided. This information is subject to change. The part numbers that TE has identified as EU RoHS compliant have a maximum concentration of 0.1% by weight in homogenous materials for lead, hexavalent

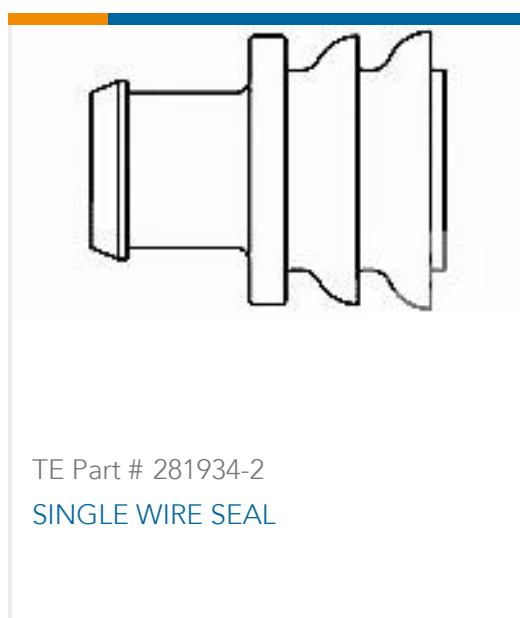


chromium, mercury, PBB, PBDE, DBP, BBP, DEHP, DIBP, and 0.01% for cadmium, or qualify for an exemption to these limits as defined in the Annexes of Directive 2011/65/EU (RoHS2). Finished electrical and electronic equipment products will be CE marked as required by Directive 2011/65/EU. Components may not be CE marked. Additionally, the part numbers that TE has identified as EU ELV compliant have a maximum concentration of 0.1% by weight in homogenous materials for lead, hexavalent chromium, and mercury, and 0.01% for cadmium, or qualify for an exemption to these limits as defined in the Annexes of Directive 2000/53/EC (ELV). Regarding the REACH Regulations, TE's information on SVHC in articles for this part number is still based on the European Chemical Agency (ECHA) 'Guidance on requirements for substances in articles' (Version: 2, April 2011), applying the 0.1% weight on weight concentration threshold at the finished product level. TE is aware of the European Court of Justice ruling of September 10th, 2015 also known as O5A (Once An Article Always An Article) stating that, in case of 'complex object', the threshold for a SVHC must be applied to both the product as a whole and simultaneously to each of the articles forming part of its composition. TE has evaluated this ruling based on the new ECHA "Guidance on requirements for substances in articles" (June 2017, version 4.0) and will be updating its statements accordingly.

Compatible Parts



Customers Also Bought



Documents

Product Drawings

[COMPACT SEAL SPLICE 12/14AWG,SEAL](#)

English

CAD Files



Customer View Model

[ENG_CVM_CVM_2378100-1_7.3d_igs.zip](#)

English

Customer View Model

[ENG_CVM_CVM_2378100-1_7.3d_stp.zip](#)

English

[3D PDF](#)

3D

Customer View Model

[ENG_CVM_CVM_2378100-1_7.2d_dxf.zip](#)

English

By downloading the CAD file I accept and agree to the [Terms and Conditions](#) of use.

Product Specifications

[Application Specification](#)

English

Instruction Sheets

[Instruction Sheet \(U.S.\)](#)

[Instruction Sheet \(U.S.\)](#)

English