



PNE650150EJ-Q

650 V, 15 A hyperfast recovery rectifier

3 May 2024

Product data sheet

1. General description

High power density, hyperfast switching recovery rectifier with high-efficiency planar technology, encapsulated in D2PAK Real-2-Pin (SOT8018).

2. Features and benefits

- Reverse voltage $V_R \leq 650$ V
- Forward current $I_F \leq 15$ A
- Typical switching time t_{tr} of 20 ns
- Pt doped life time control
- Low inductance
- Planar die design
- Qualified according to AEC-Q101 and recommended for use in automotive applications

3. Applications

- On board charger
- DC/DC converter
- AC/DC converter
- Battery heating/cooling
- Inverter
- Freewheeling applications

4. Quick reference data

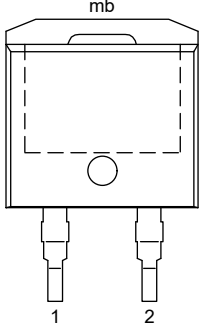
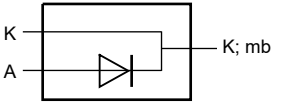
Table 1. Quick reference data

Symbol	Parameter	Conditions		Min	Typ	Max	Unit
$I_{F(AV)}$	average forward current	$\delta = 0.5$; $f = 20$ kHz; square wave; $T_c \leq 128$ °C		-	-	15	A
V_{RRM}	repetitive peak reverse voltage	$T_j = 25$ °C		-	-	650	V
V_R	reverse voltage			-	-	650	V
V_F	forward voltage	$I_F = 15$ A; pulsed; $T_j = 25$ °C	[1]	-	1.6	2.4	V
		$I_F = 15$ A; pulsed; $T_j = 125$ °C	[1]	-	1.3	1.93	V
		$I_F = 15$ A; pulsed; $T_j = 175$ °C	[1]	-	1.23	-	V
I_R	reverse current	$V_R = 650$ V; pulsed; $T_j = 25$ °C	[1]	-	-	5	μ A
		$V_R = 650$ V; pulsed; $T_j = 125$ °C	[1]	-	3.87	50	μ A
		$V_R = 650$ V; pulsed; $T_j = 175$ °C	[1]	-	87	-	μ A

[1] Very short pulse, in order to maintain a stable junction temperature.

5. Pinning information

Table 2. Pinning information

Pin	Symbol	Description	Simplified outline	Graphic symbol
1	K	cathode	 <p>D2PAK R2P (SOT8018)</p>	 <p>aaa-037872</p>
2	A	anode		
mb	K	mounting base; connected to cathode, also referred to as the case		

6. Ordering information

Table 3. Ordering information

Type number	Package		
	Name	Description	Version
PNE650150EJ-Q	D2PAK R2P	Plastic, single-ended surface-mounted package (D2PAK R2P); Real-2-Pin configuration; 5.08 mm pitch; 8.8 mm x 10.35 mm x 4.46 mm body	SOT8018

7. Marking

Table 4. Marking codes

Type number	Marking code
PNE650150EJ-Q	E65015Q

8. Limiting values

Table 5. Limiting values

In accordance with the Absolute Maximum Rating System (IEC 601134).

Symbol	Parameter	Conditions		Min	Max	Unit
V_{RRM}	repetitive peak reverse voltage	$T_j = 25\text{ °C}$		-	650	V
V_R	reverse voltage			-	650	V
V_{RMS}	RMS voltage			-	460	V
I_F	forward current	$\delta = 1; T_c \leq 117\text{ °C}$		-	21	A
$I_{F(AV)}$	average forward current	$\delta = 0.5; f = 20\text{ kHz};$ square wave; $T_c \leq 128\text{ °C}$		-	15	A
I_{FSM}	non-repetitive peak forward current	$t_p = 8.3\text{ ms};$ single half sine wave (applied at rated load condition); $T_{j(\text{init})} = 25\text{ °C}$		-	140	A
		$t_p = 10\text{ ms};$ square wave; $T_{j(\text{init})} = 25\text{ °C}$		-	120	A
P_{tot}	total power dissipation	$T_c \leq 25\text{ °C}$	[1]	-	2.5	W
			[2]	-	4.2	W
T_j	junction temperature			-	175	°C
T_{amb}	ambient temperature			-55	175	°C
T_{stg}	storage temperature			-65	175	°C

[1] Device mounted on an FR4 PCB, single-sided copper, tin-plated and standard footprint.

[2] Device mounted on an FR4 PCB, single-sided copper, tin-plated, mounting pad for cathode 6 cm².

9. Thermal characteristics

Table 6. Thermal characteristics

Symbol	Parameter	Conditions		Min	Typ	Max	Unit
$R_{th(j-a)}$	thermal resistance from junction to ambient	in free air	[1]	-	-	61	K/W
			[2]	-	-	36	K/W
$R_{th(j-c)}$	thermal resistance from junction to case		[3]	-	-	1.7	K/W

- [1] Device mounted on an FR4 PCB, single-sided copper, tin-plated and standard footprint.
- [2] Device mounted on an FR4 PCB, single-sided copper, tin-plated, mounting pad for cathode 6 cm².
- [3] Soldering point of cathode tab.

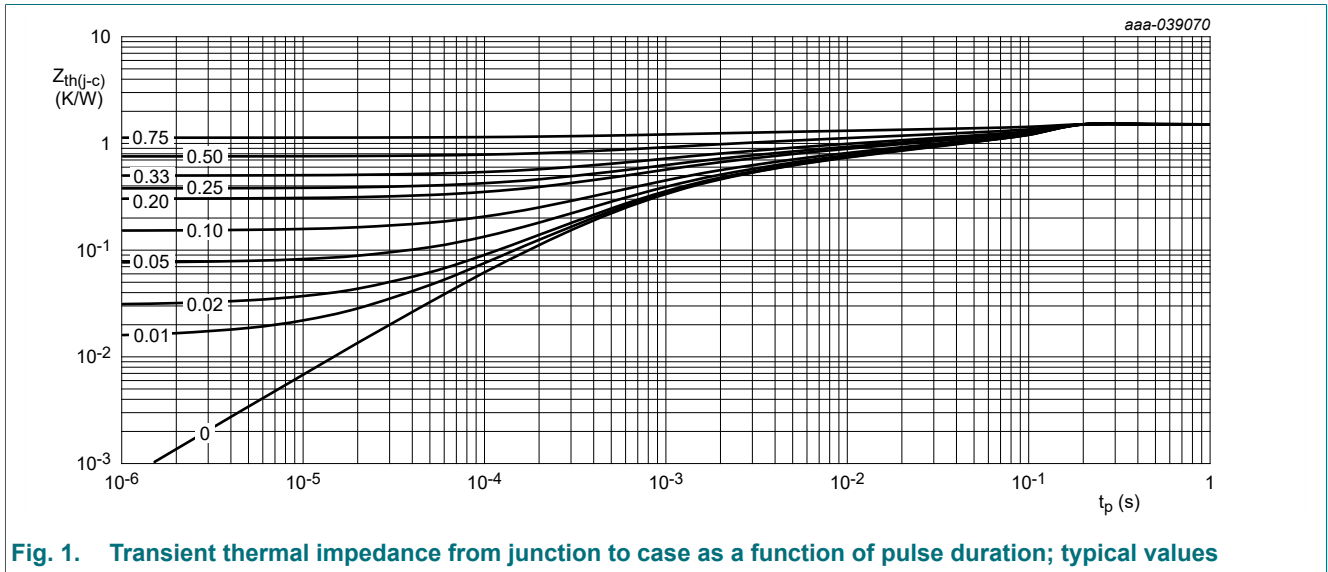


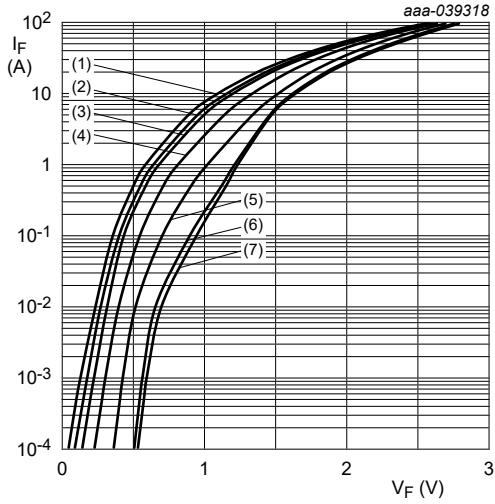
Fig. 1. Transient thermal impedance from junction to case as a function of pulse duration; typical values

10. Characteristics

Table 7. Characteristics

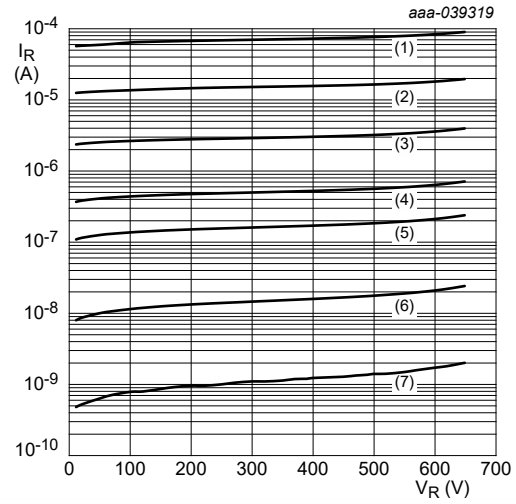
Symbol	Parameter	Conditions		Min	Typ	Max	Unit
$V_{(BR)R}$	reverse breakdown voltage	$I_R = 100 \mu\text{A}$; pulsed; $T_j = 25 \text{ }^\circ\text{C}$	[1]	650	-	-	V
V_F	forward voltage	$I_F = 15 \text{ A}$; pulsed; $T_j = 25 \text{ }^\circ\text{C}$	[1]	-	1.6	2.4	V
		$I_F = 15 \text{ A}$; pulsed; $T_j = 125 \text{ }^\circ\text{C}$	[1]	-	1.3	1.93	V
		$I_F = 15 \text{ A}$; pulsed; $T_j = 175 \text{ }^\circ\text{C}$	[1]	-	1.23	-	V
I_R	reverse current	$V_R = 650 \text{ V}$; pulsed; $T_j = 25 \text{ }^\circ\text{C}$	[1]	-	-	5	μA
		$V_R = 650 \text{ V}$; pulsed; $T_j = 125 \text{ }^\circ\text{C}$	[1]	-	3.87	50	μA
		$V_R = 650 \text{ V}$; pulsed; $T_j = 175 \text{ }^\circ\text{C}$	[1]	-	87	-	μA
C_d	diode capacitance	$V_R = 400 \text{ V}$; $f = 1 \text{ MHz}$; $T_j = 25 \text{ }^\circ\text{C}$		-	11	-	pF
t_{rr}	reverse recovery time ; step recovery	$I_F = 0.5 \text{ A}$; $I_R = 1 \text{ A}$; $I_{R(\text{meas})} = 0.25 \text{ A}$; $T_j = 25 \text{ }^\circ\text{C}$		-	20	30	ns
	reverse recovery time ; ramp recovery	$I_F = 15 \text{ A}$; $di_F/dt = -200 \text{ A}/\mu\text{s}$; $V_R = 400 \text{ V}$; $T_j = 25 \text{ }^\circ\text{C}$		-	80	-	ns
		$I_F = 15 \text{ A}$; $di_F/dt = -1000 \text{ A}/\mu\text{s}$; $V_R = 400 \text{ V}$; $T_j = 25 \text{ }^\circ\text{C}$		-	46	-	ns
		$I_F = 15 \text{ A}$; $di_F/dt = -200 \text{ A}/\mu\text{s}$; $V_R = 400 \text{ V}$; $T_j = 125 \text{ }^\circ\text{C}$		-	131	-	ns
		$I_F = 15 \text{ A}$; $di_F/dt = -1000 \text{ A}/\mu\text{s}$; $V_R = 400 \text{ V}$; $T_j = 125 \text{ }^\circ\text{C}$		-	73	-	ns
I_{RM}	peak reverse recovery current	$I_F = 15 \text{ A}$; $di_F/dt = -200 \text{ A}/\mu\text{s}$; $V_R = 400 \text{ V}$; $T_j = 25 \text{ }^\circ\text{C}$		-	3.3	-	A
		$I_F = 15 \text{ A}$; $di_F/dt = -1000 \text{ A}/\mu\text{s}$; $V_R = 400 \text{ V}$; $T_j = 25 \text{ }^\circ\text{C}$		-	13.1	-	A
		$I_F = 15 \text{ A}$; $di_F/dt = -200 \text{ A}/\mu\text{s}$; $V_R = 400 \text{ V}$; $T_j = 125 \text{ }^\circ\text{C}$		-	7.6	-	A
		$I_F = 15 \text{ A}$; $di_F/dt = -1000 \text{ A}/\mu\text{s}$; $V_R = 400 \text{ V}$; $T_j = 125 \text{ }^\circ\text{C}$		-	20.7	-	A
Q_{rr}	reverse recovery charge	$I_F = 15 \text{ A}$; $di_F/dt = -200 \text{ A}/\mu\text{s}$; $V_R = 400 \text{ V}$; $T_j = 25 \text{ }^\circ\text{C}$		-	151	-	nC
		$I_F = 15 \text{ A}$; $di_F/dt = -1000 \text{ A}/\mu\text{s}$; $V_R = 400 \text{ V}$; $T_j = 25 \text{ }^\circ\text{C}$		-	340	-	nC
		$I_F = 15 \text{ A}$; $di_F/dt = -200 \text{ A}/\mu\text{s}$; $V_R = 400 \text{ V}$; $T_j = 125 \text{ }^\circ\text{C}$		-	577	-	nC
		$I_F = 15 \text{ A}$; $di_F/dt = -1000 \text{ A}/\mu\text{s}$; $V_R = 400 \text{ V}$; $T_j = 125 \text{ }^\circ\text{C}$		-	909	-	nC

[1] Very short pulse, in order to maintain a stable junction temperature.



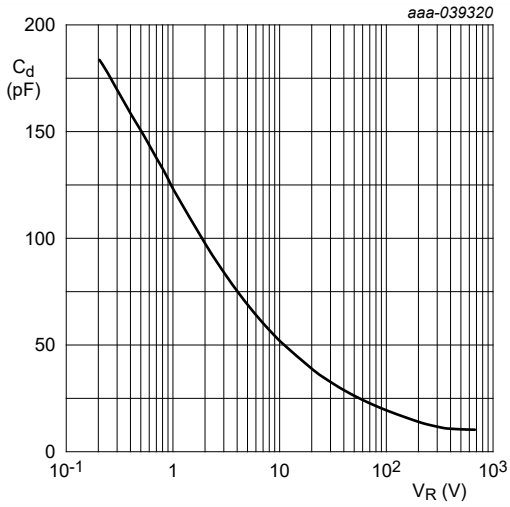
pulsed condition
 (1) $T_j = 175\text{ °C}$
 (2) $T_j = 150\text{ °C}$
 (3) $T_j = 125\text{ °C}$
 (4) $T_j = 85\text{ °C}$
 (5) $T_j = 25\text{ °C}$
 (6) $T_j = -40\text{ °C}$
 (7) $T_j = -55\text{ °C}$

Fig. 2. Forward current as a function of forward voltage; typical values



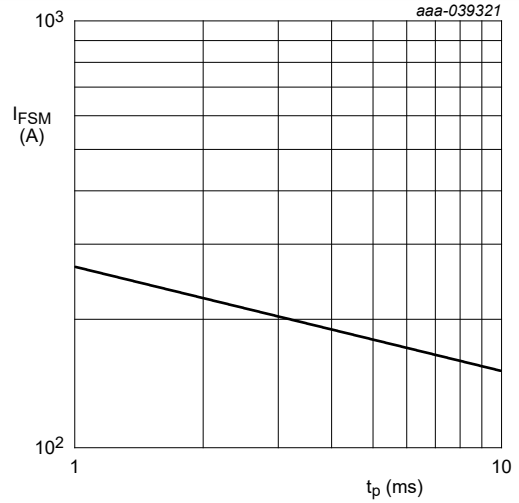
pulsed condition
 (1) $T_j = 175\text{ °C}$
 (2) $T_j = 150\text{ °C}$
 (3) $T_j = 125\text{ °C}$
 (4) $T_j = 100\text{ °C}$
 (5) $T_j = 85\text{ °C}$
 (6) $T_j = 55\text{ °C}$
 (7) $T_j = 25\text{ °C}$

Fig. 3. Reverse current as a function of reverse voltage; typical values



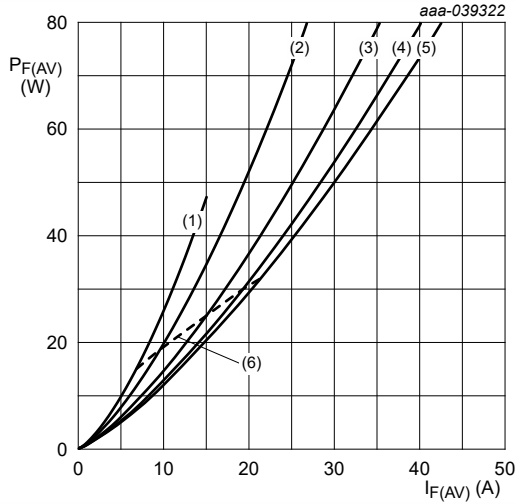
$f = 1\text{ MHz}; T_{amb} = 25\text{ °C}$

Fig. 4. Diode capacitance as a function of reverse voltage; typical values



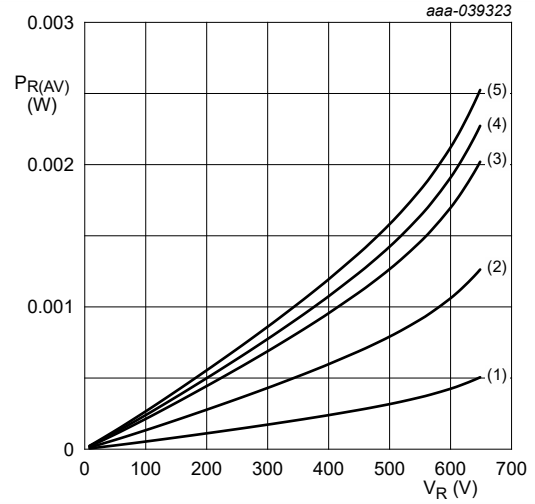
square wave; $T_{amb} = 25\text{ °C}$

Fig. 5. Non-repetitive peak forward current as a function of pulse duration; typical values



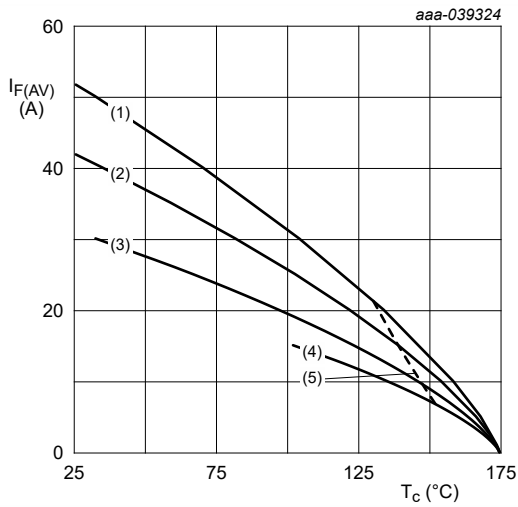
$T_j = 125\text{ }^\circ\text{C}$
 (1) $\delta = 0.1$
 (2) $\delta = 0.2$
 (3) $\delta = 0.5$
 (4) $\delta = 0.8$
 (5) $\delta = 1$ (DC)
 (6) RMS limit

Fig. 6. Average forward power dissipation as a function of average forward current; typical values



$T_j = 125\text{ }^\circ\text{C}$
 (1) $\delta = 0.2$
 (2) $\delta = 0.5$
 (3) $\delta = 0.8$
 (4) $\delta = 0.9$
 (5) $\delta = 1$ (DC)

Fig. 7. Average reverse power dissipation as a function of reverse voltage; typical values



$T_j = 175\text{ }^\circ\text{C}$
 (1) $\delta = 1$; DC
 (2) $\delta = 0.5$; $f = 20\text{ kHz}$
 (3) $\delta = 0.2$; $f = 20\text{ kHz}$
 (4) $\delta = 0.1$; $f = 20\text{ kHz}$
 (5) RMS limit

Fig. 8. Average forward current as a function of case temperature; typical values

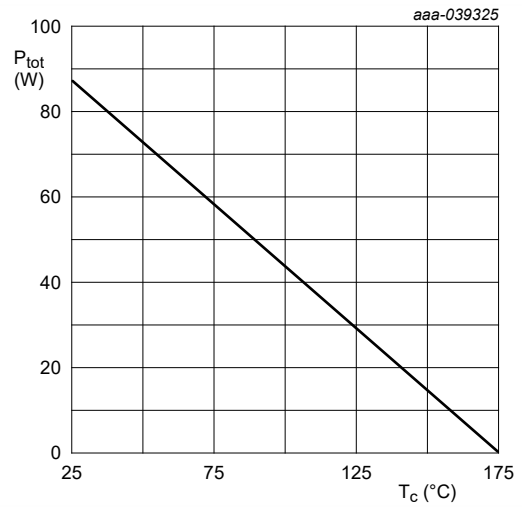
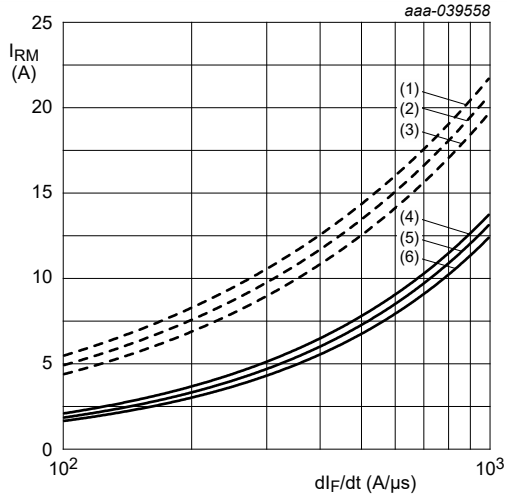
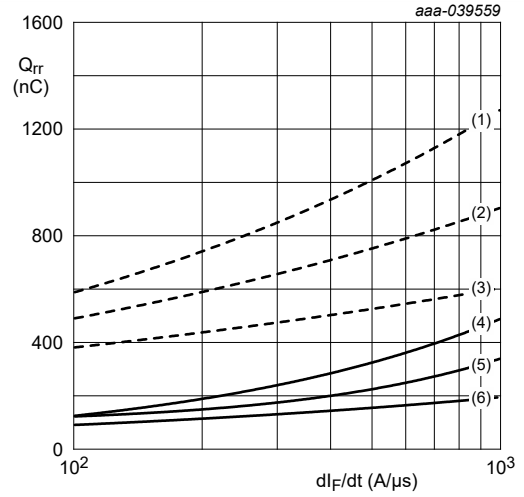


Fig. 9. Power dissipation as a function of case temperature; maximum values



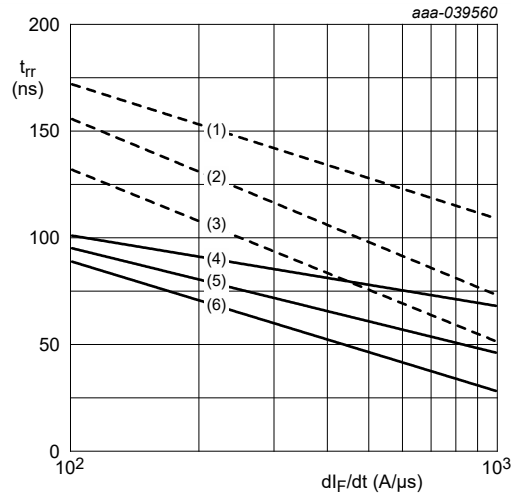
- $V_R = 400\text{ V}$
- (1) $I_F = 30\text{ A}; T_j = 125\text{ °C}$
 - (2) $I_F = 15\text{ A}; T_j = 125\text{ °C}$
 - (3) $I_F = 7.5\text{ A}; T_j = 125\text{ °C}$
 - (4) $I_F = 30\text{ A}; T_j = 25\text{ °C}$
 - (5) $I_F = 15\text{ A}; T_j = 25\text{ °C}$
 - (6) $I_F = 7.5\text{ A}; T_j = 25\text{ °C}$

Fig. 10. Peak reverse recovery current as a function of ramp rate; typical values



- $V_R = 400\text{ V}$
- (1) $I_F = 30\text{ A}; T_j = 125\text{ °C}$
 - (2) $I_F = 15\text{ A}; T_j = 125\text{ °C}$
 - (3) $I_F = 7.5\text{ A}; T_j = 125\text{ °C}$
 - (4) $I_F = 30\text{ A}; T_j = 25\text{ °C}$
 - (5) $I_F = 15\text{ A}; T_j = 25\text{ °C}$
 - (6) $I_F = 7.5\text{ A}; T_j = 25\text{ °C}$

Fig. 11. Reverse recovery charge as a function of ramp rate; typical values



- $V_R = 400\text{ V}$
- (1) $I_F = 30\text{ A}; T_j = 125\text{ °C}$
 - (2) $I_F = 15\text{ A}; T_j = 125\text{ °C}$
 - (3) $I_F = 7.5\text{ A}; T_j = 125\text{ °C}$
 - (4) $I_F = 30\text{ A}; T_j = 25\text{ °C}$
 - (5) $I_F = 15\text{ A}; T_j = 25\text{ °C}$
 - (6) $I_F = 7.5\text{ A}; T_j = 25\text{ °C}$

Fig. 12. Reverse recovery time as a function of ramp rate; typical values

11. Test information

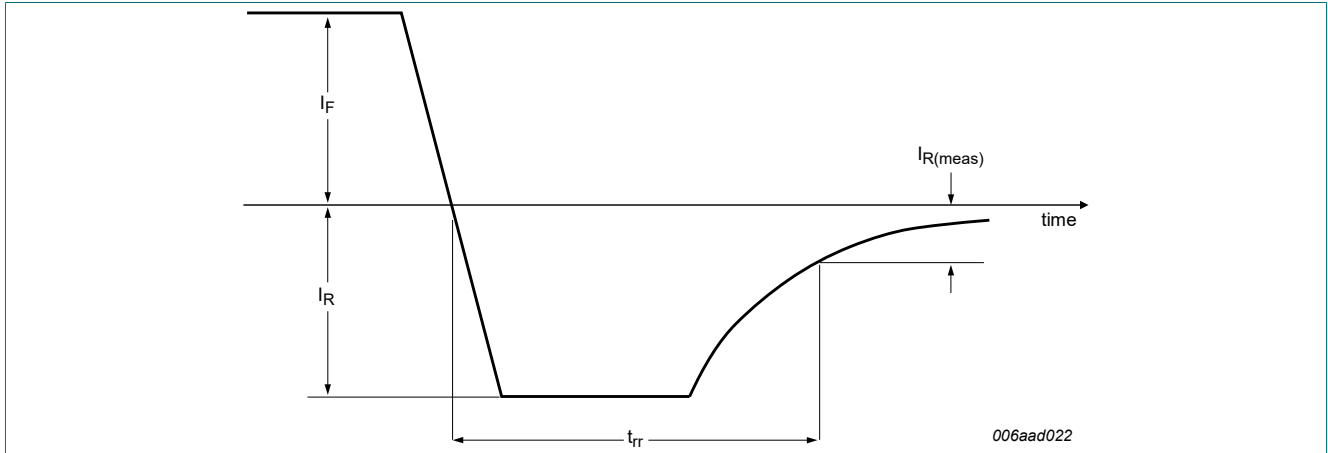


Fig. 13. Reverse recovery definition; step recovery

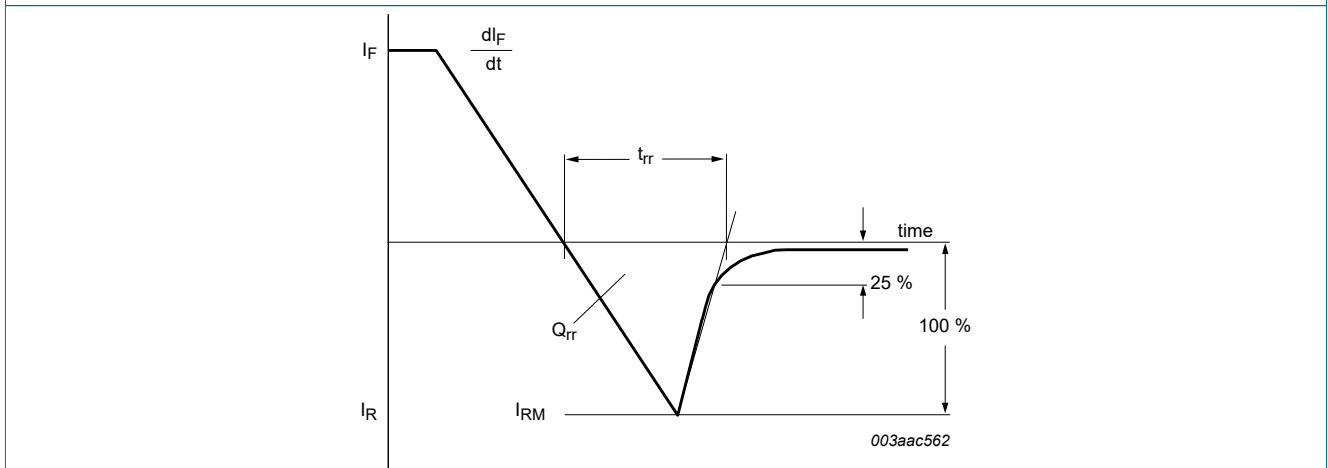


Fig. 14. Reverse recovery definition; ramp recovery

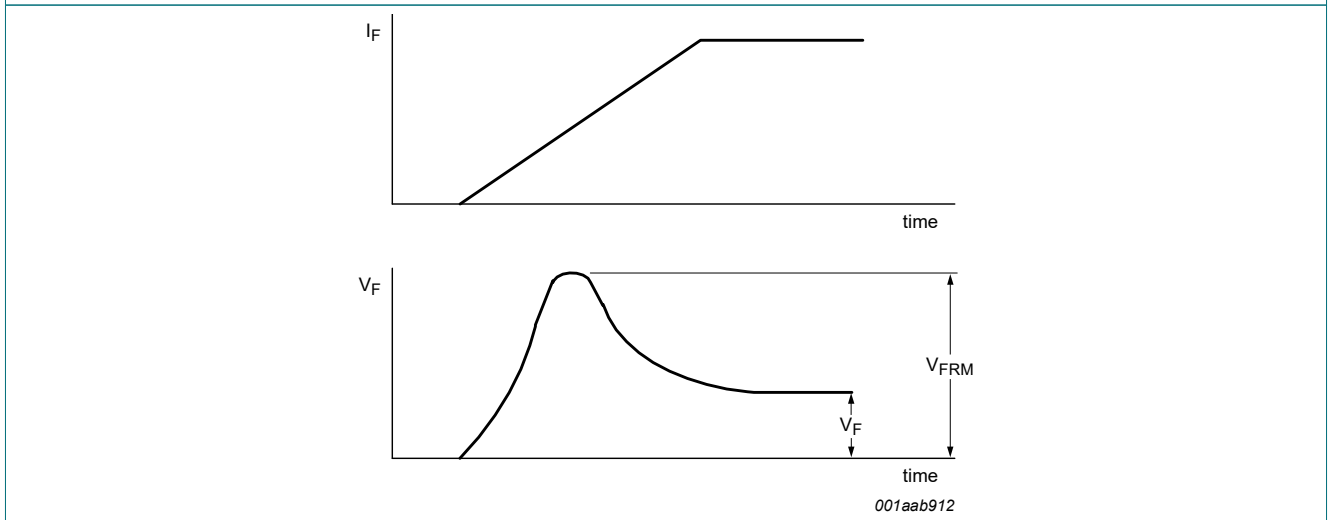


Fig. 15. Forward recovery definition

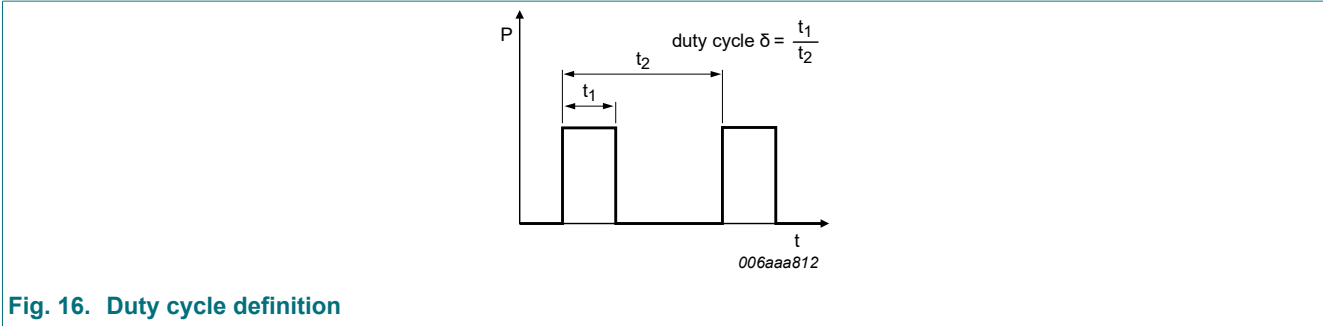


Fig. 16. Duty cycle definition

The current ratings for the typical waveforms are calculated according to the equations:

$$I_{F(AV)} = I_M \times \delta$$

with I_M defined as peak current

$$I_{RMS} = I_{F(AV)} \text{ at DC, and } I_{RMS} = I_M \times \sqrt{\delta}$$

with I_{RMS} defined as RMS current.

Quality information

This product has been qualified in accordance with the Automotive Electronics Council (AEC) standard Q101 - Stress test qualification for discrete semiconductors, and is suitable for use in automotive applications.

12. Package outline

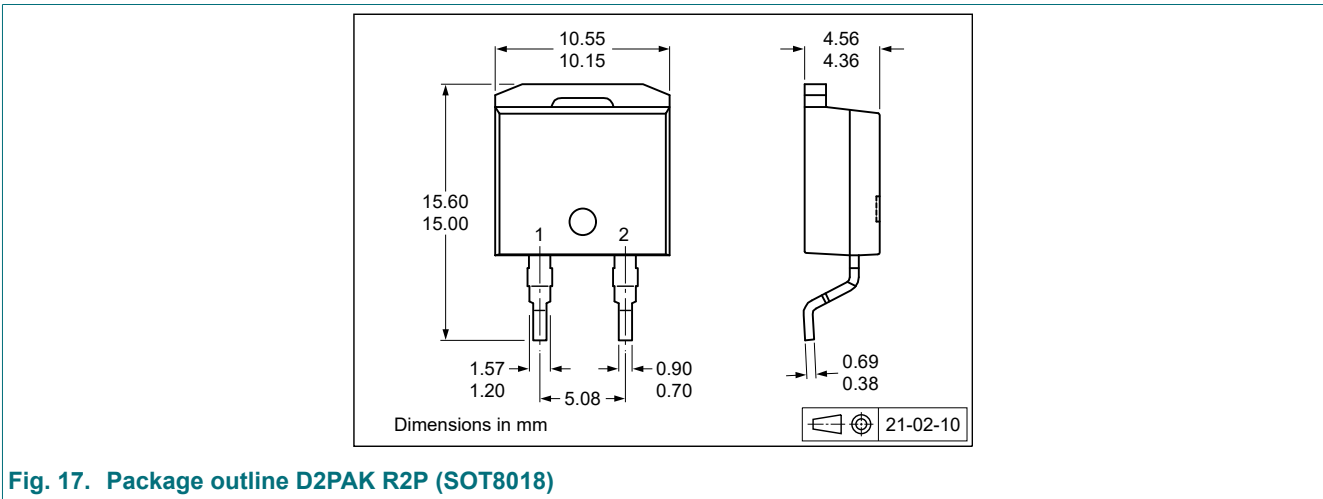


Fig. 17. Package outline D2PAK R2P (SOT8018)

13. Soldering

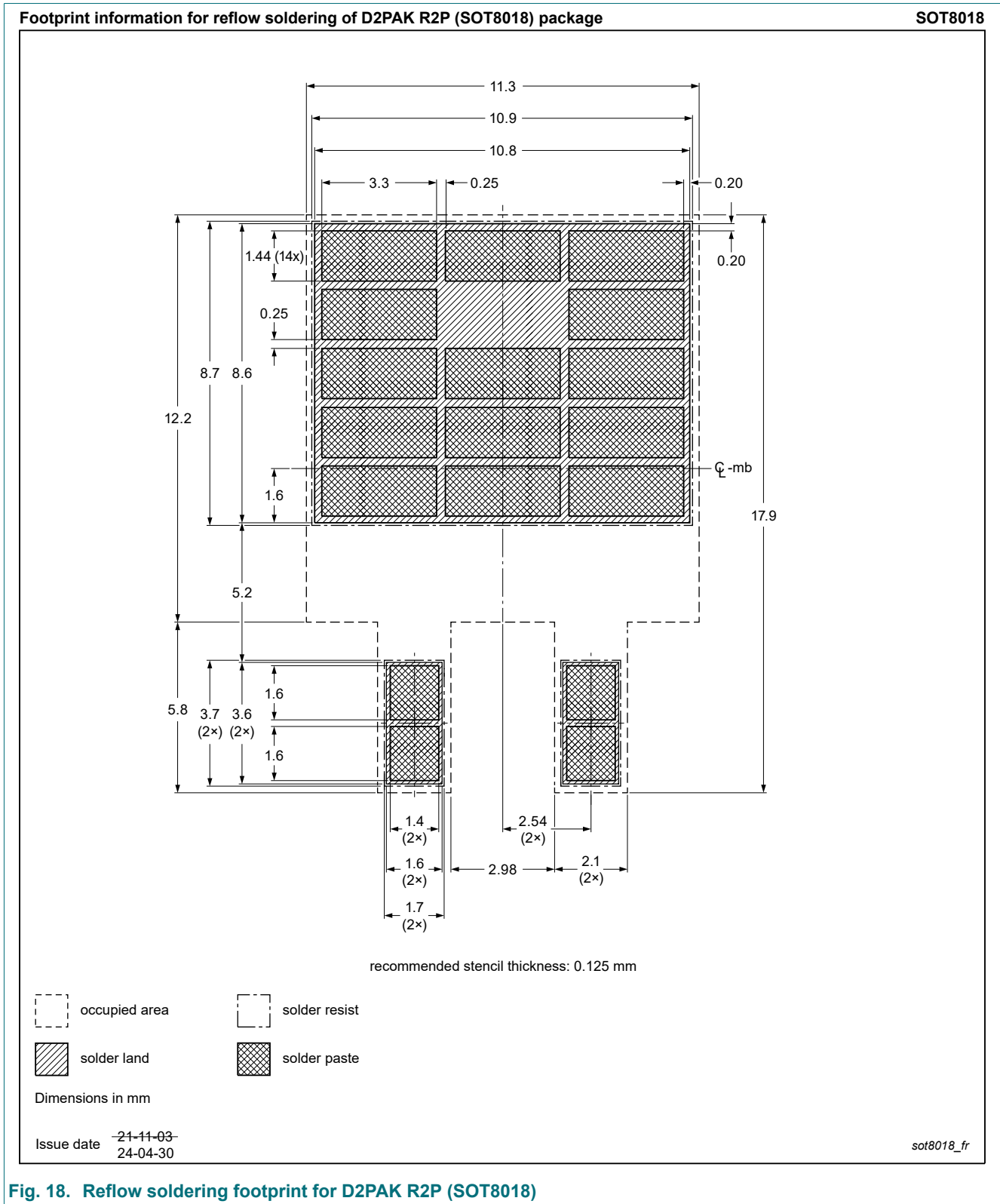


Fig. 18. Reflow soldering footprint for D2PAK R2P (SOT8018)

14. Revision history

Table 8. Revision history

Data sheet ID	Release date	Data sheet status	Change notice	Supersedes
PNE650150EJ-Q v.1	20240503	Product data sheet	-	-

15. Legal information

Data sheet status

Document status [1][2]	Product status [3]	Definition
Objective [short] data sheet	Development	This document contains data from the objective specification for product development.
Preliminary [short] data sheet	Qualification	This document contains data from the preliminary specification.
Product [short] data sheet	Production	This document contains the product specification.

- [1] Please consult the most recently issued document before initiating or completing a design.
- [2] The term 'short data sheet' is explained in section "Definitions".
- [3] The product status of device(s) described in this document may have changed since this document was published and may differ in case of multiple devices. The latest product status information is available on the internet at <https://www.nexperia.com>.

Definitions

Draft — The document is a draft version only. The content is still under internal review and subject to formal approval, which may result in modifications or additions. Nexperia does not give any representations or warranties as to the accuracy or completeness of information included herein and shall have no liability for the consequences of use of such information.

Short data sheet — A short data sheet is an extract from a full data sheet with the same product type number(s) and title. A short data sheet is intended for quick reference only and should not be relied upon to contain detailed and full information. For detailed and full information see the relevant full data sheet, which is available on request via the local Nexperia sales office. In case of any inconsistency or conflict with the short data sheet, the full data sheet shall prevail.

Product specification — The information and data provided in a Product data sheet shall define the specification of the product as agreed between Nexperia and its customer, unless Nexperia and customer have explicitly agreed otherwise in writing. In no event however, shall an agreement be valid in which the Nexperia product is deemed to offer functions and qualities beyond those described in the Product data sheet.

Disclaimers

Limited warranty and liability — Information in this document is believed to be accurate and reliable. However, Nexperia does not give any representations or warranties, expressed or implied, as to the accuracy or completeness of such information and shall have no liability for the consequences of use of such information. Nexperia takes no responsibility for the content in this document if provided by an information source outside of Nexperia.

In no event shall Nexperia be liable for any indirect, incidental, punitive, special or consequential damages (including - without limitation - lost profits, lost savings, business interruption, costs related to the removal or replacement of any products or rework charges) whether or not such damages are based on tort (including negligence), warranty, breach of contract or any other legal theory.

Notwithstanding any damages that customer might incur for any reason whatsoever, Nexperia's aggregate and cumulative liability towards customer for the products described herein shall be limited in accordance with the Terms and conditions of commercial sale of Nexperia.

Right to make changes — Nexperia reserves the right to make changes to information published in this document, including without limitation specifications and product descriptions, at any time and without notice. This document supersedes and replaces all information supplied prior to the publication hereof.

Suitability for use in automotive applications — This Nexperia product has been qualified for use in automotive applications. Unless otherwise agreed in writing, the product is not designed, authorized or warranted to be suitable for use in life support, life-critical or safety-critical systems or

equipment, nor in applications where failure or malfunction of an Nexperia product can reasonably be expected to result in personal injury, death or severe property or environmental damage. Nexperia and its suppliers accept no liability for inclusion and/or use of Nexperia products in such equipment or applications and therefore such inclusion and/or use is at the customer's own risk.

Quick reference data — The Quick reference data is an extract of the product data given in the Limiting values and Characteristics sections of this document, and as such is not complete, exhaustive or legally binding.

Applications — Applications that are described herein for any of these products are for illustrative purposes only. Nexperia makes no representation or warranty that such applications will be suitable for the specified use without further testing or modification.

Customers are responsible for the design and operation of their applications and products using Nexperia products, and Nexperia accepts no liability for any assistance with applications or customer product design. It is customer's sole responsibility to determine whether the Nexperia product is suitable and fit for the customer's applications and products planned, as well as for the planned application and use of customer's third party customer(s). Customers should provide appropriate design and operating safeguards to minimize the risks associated with their applications and products.

Nexperia does not accept any liability related to any default, damage, costs or problem which is based on any weakness or default in the customer's applications or products, or the application or use by customer's third party customer(s). Customer is responsible for doing all necessary testing for the customer's applications and products using Nexperia products in order to avoid a default of the applications and the products or of the application or use by customer's third party customer(s). Nexperia does not accept any liability in this respect.

Limiting values — Stress above one or more limiting values (as defined in the Absolute Maximum Ratings System of IEC 60134) will cause permanent damage to the device. Limiting values are stress ratings only and (proper) operation of the device at these or any other conditions above those given in the Recommended operating conditions section (if present) or the Characteristics sections of this document is not warranted. Constant or repeated exposure to limiting values will permanently and irreversibly affect the quality and reliability of the device.

Terms and conditions of commercial sale — Nexperia products are sold subject to the general terms and conditions of commercial sale, as published at <http://www.nexperia.com/profile/terms>, unless otherwise agreed in a valid written individual agreement. In case an individual agreement is concluded only the terms and conditions of the respective agreement shall apply. Nexperia hereby expressly objects to applying the customer's general terms and conditions with regard to the purchase of Nexperia products by customer.

No offer to sell or license — Nothing in this document may be interpreted or construed as an offer to sell products that is open for acceptance or the grant, conveyance or implication of any license under any copyrights, patents or other industrial or intellectual property rights.

Export control — This document as well as the item(s) described herein may be subject to export control regulations. Export might require a prior authorization from competent authorities.

Translations — A non-English (translated) version of a document is for reference only. The English version shall prevail in case of any discrepancy between the translated and English versions.

Trademarks

Notice: All referenced brands, product names, service names and trademarks are the property of their respective owners.

Contents

1. General description.....	1
2. Features and benefits.....	1
3. Applications.....	1
4. Quick reference data.....	1
5. Pinning information.....	2
6. Ordering information.....	2
7. Marking.....	2
8. Limiting values.....	3
9. Thermal characteristics.....	4
10. Characteristics.....	5
11. Test information.....	9
12. Package outline.....	10
13. Soldering.....	11
14. Revision history.....	12
15. Legal information.....	13

© Nexperia B.V. 2024. All rights reserved

For more information, please visit: <http://www.nexperia.com>
For sales office addresses, please send an email to: salesaddresses@nexperia.com
Date of release: 3 May 2024
