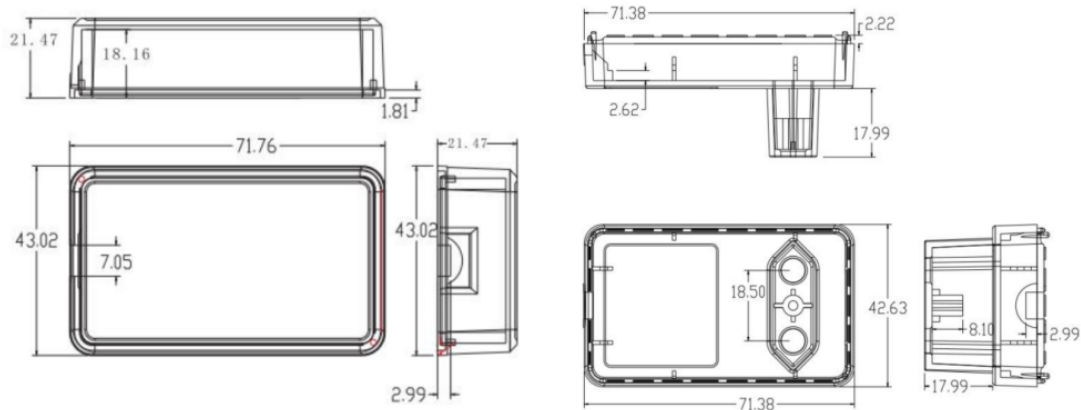


INTRODUCTION

This is a power adapter suitable for [Raspberry Pi 5](#), which can provide a stable and continuous output of up to 5V/5A. It supplies stable power to ensure optimal performance of the Raspberry Pi 5. It features short circuit and over-current protection, which will stop working in the event of a short circuit or over-current. After the short circuit or over-current issue is resolved, it will automatically resume normal operation. This ensures both stable power supply and safety. Additionally, the product has obtained CE certification, guaranteeing its safety and reliability.



Raspberry Pi 5 5V/5A USB Power Supply Dimension Diagram (Unit: mm)

FEATURES

- Stable Power Supply
- Short circuit and over-current protection
- CE Certification

APPLICATIONS

- Educational Projects
- Home Automation Systems
- Professional Development
- Retro gaming device

SPECIFICATION

- Input Voltage: 100~240Vac
- Output Voltage: 5Vdc/5A
- Power Output: 25W
- Protection Function: Short circuit protection, Over Current Protection
- Operating Temperature: 0~+40
- Storage Temperature: 0~+60

- Relative Humidity: 5%~90%
- Certification: CE
- Wire length: 5m
- The power supply size: 72*43*22 mm

SHIPPING LIST

- 5V/5A Power Supply(EU)×1