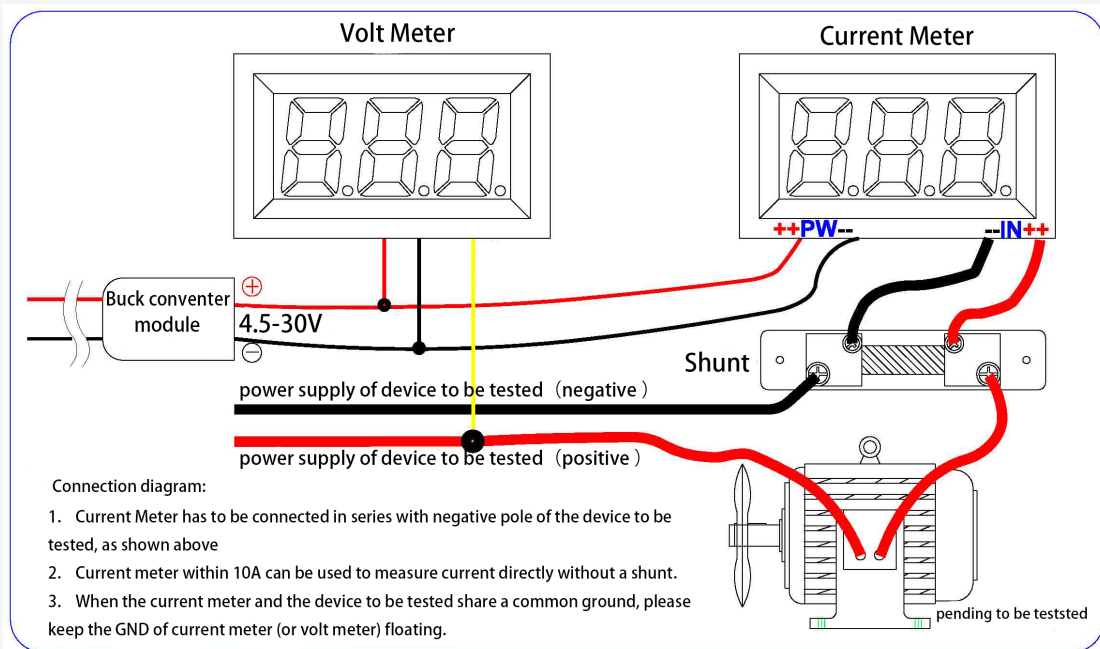


INTRODUCTION

This is a standard LED Current Meter 50A. The biggest feature is that the LED Current Meter have reversed connection protection to prevent from being burnt out. It measures 0-50A with 2% error. Best suitable for current display in the circuit. Just apply four wires without any extra circuit or components, you will get the readings displayed straight away. Easy to use, and good company with robot applications. It has two color LED display to select, green/red.

Warnings: Please carefully follow the instructions for wiring. The power supply terminal and measurement terminal of this Current Meter are using the same common-ground connect. So, the measurement terminal of current meter must be cascaded after load. The measurement terminal must be link to the ground side, Do NOT link it to positive side, it will damage the meter permently.



Connection Diagram

APPLICATIONS

- Various circuits

SPECIFICATION

- Measure Current: 0-50A DC
- Power supply voltage: 4-30V DC

- Display mode: 3-bit 0.56 Led digital tube
- Accuracy:2%
- Opening dimension: 45.5mm*26.5mm (1.79"*1.04")
- Dimension: 48mm*29mm*21mm (1.89"*1.14"*0.83")

DOCUMENTS

- [Wiki Doc](#)

SHIPPING LIST

- LED Current Meter 50A x1
- shunt x1