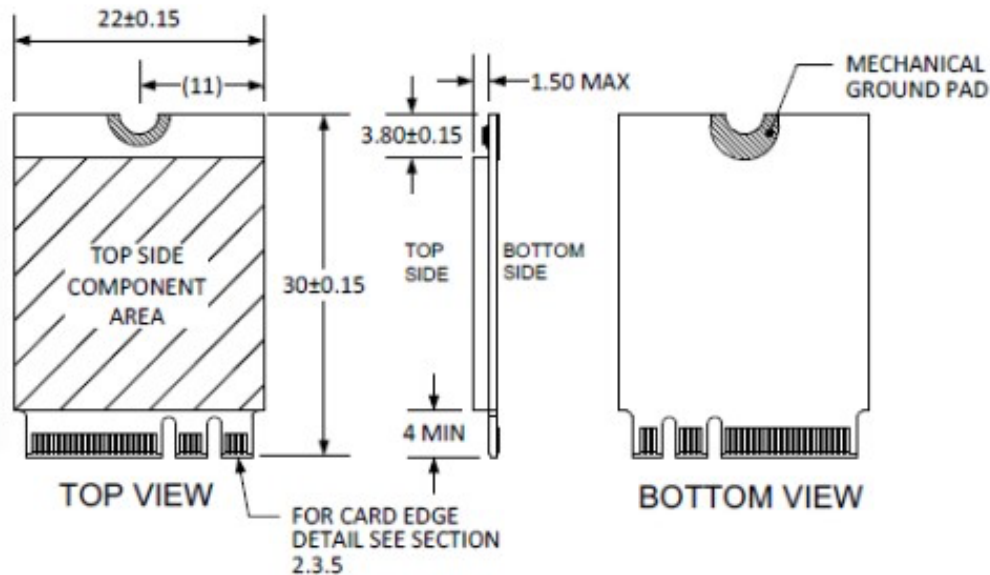


INTRODUCTION

M.2 (A+E Key) to Gigabit Ethernet Module compatible for [LattePanda Alpha](#) and [Delta](#).

This M.2 Gigabit Ethernet Adapter can switch out an RJ45 Gigabit Ethernet port through the M.2 slot of the main controller. It is a high-performance 10/100/1000 BASE-T Ethernet LAN controller that supports both IEEE 802.3u standard 10/100Mbps Ethernet and IEEE 802.3ab standard 1000Mbps Ethernet. Integrated with an automatic auxiliary power detection function, this adapter can automatically configure the relevant bits of the PCI power supply management register in the PCI configuration space. You can easily implement a gigabit network to your desktop with this module. It's an excellent choice for improving network performance.



Using Realtek RTL8111F as the main chip, this module has a higher data transmission rate and lower power consumption, as well as better stability and compatibility. The transmission rate of the M.2 interface is 2.5Gb/s, and the gigabit network interface supports 10/100/1000Mbps self-adaptive data rate. It has the characteristics of plug-and-play, fast data transmission rate, and convenient connection, which is very suitable for LattePanda users to convert the M.2 slot on the main controller into a Gigabit Ethernet RJ45 interface or to realize function such as network port expansion and soft routing.

SPECIFICATION

- Applicable Network Type: Fast Ethernet
- Interface: NGFF (M2) Key A +E

- Transmission Rate: 10/100/1000Mbps, self-adaptive
- Network Interface: RJ45
- Chip: Realtek RTL8111F
- System Support: Windows*(32,64), Linux, FreeBSD, VMware ESXI
- Network Standards: IEEE 802.1p, IEEE 802.1Q, IEEE 802.2, IEEE 802.3ac, IEEE 802.3az, IEEE 802.3x, IEEE 802.3z, IEEE 802.3ad
- Size: 30*22*1.5mm / 1.81*0.87*0.06 inch

SHIPPING LIST

- M.2(A+E Key) to Gigabit Ethernet Module x1