



TAOGLAS®



Datasheet

Part No:
MB.A.MA32X

Description

Screw Mount Bracket for Comet MA32X Series

Features:

- Screw Mount Bracket
- Robust ABS Material
- Mounting Hole Dimensions: 5.05mm
- Dimensions: 120 x 15.5mm
- RoHS & REACH Compliant

1.	Introduction	2
2.	Specification	3
3.	Mechanical Drawing	4
4.	Packaging	5
<hr/>		
	Changelog	6

Taoglas makes no warranties based on the accuracy or completeness of the contents of this document and reserves the right to make changes to specifications and product descriptions at any time without notice. Taoglas reserves all rights to this document and the information contained herein. Reproduction, use or disclosure to third parties without express permission is strictly prohibited.



1. Introduction



The Taoglas MB.A.MA32X is a robust screw mount bracket, designed for secure installation of the Comet Magnetic Mount Series of products where a bracket is the preferred method of mounting the antenna. All variants of the Comet MA32X and AA.250 Series can be used with this bracket allowing it to be permanently mounted on surfaces.

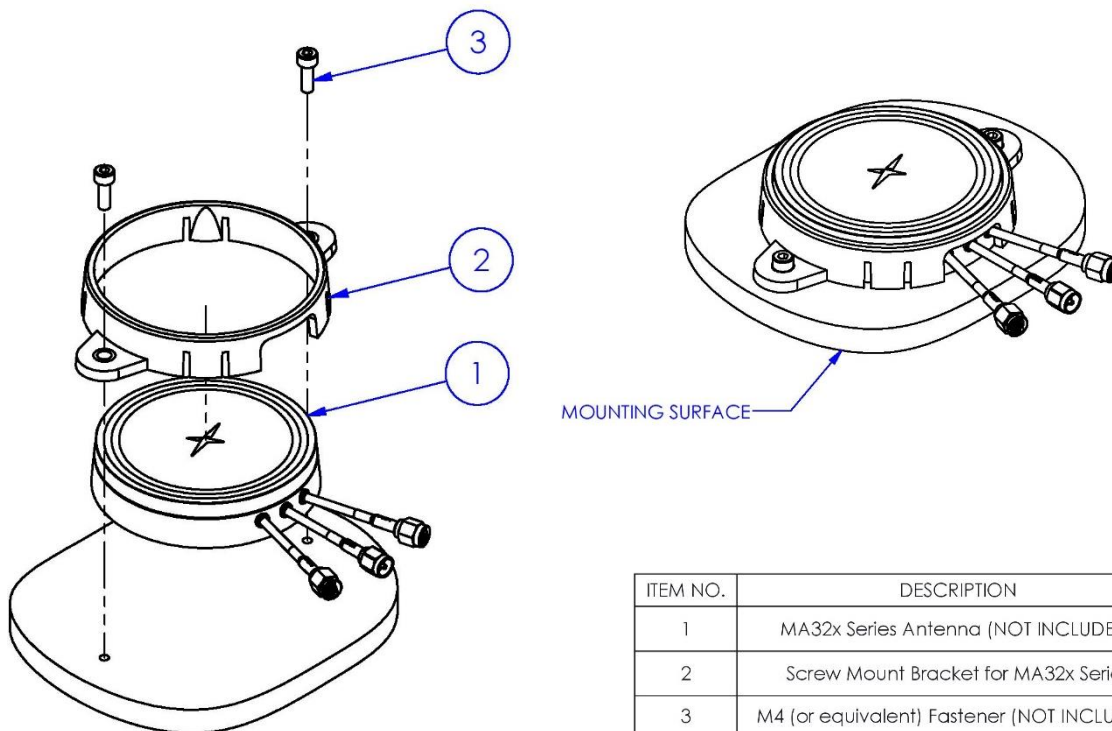
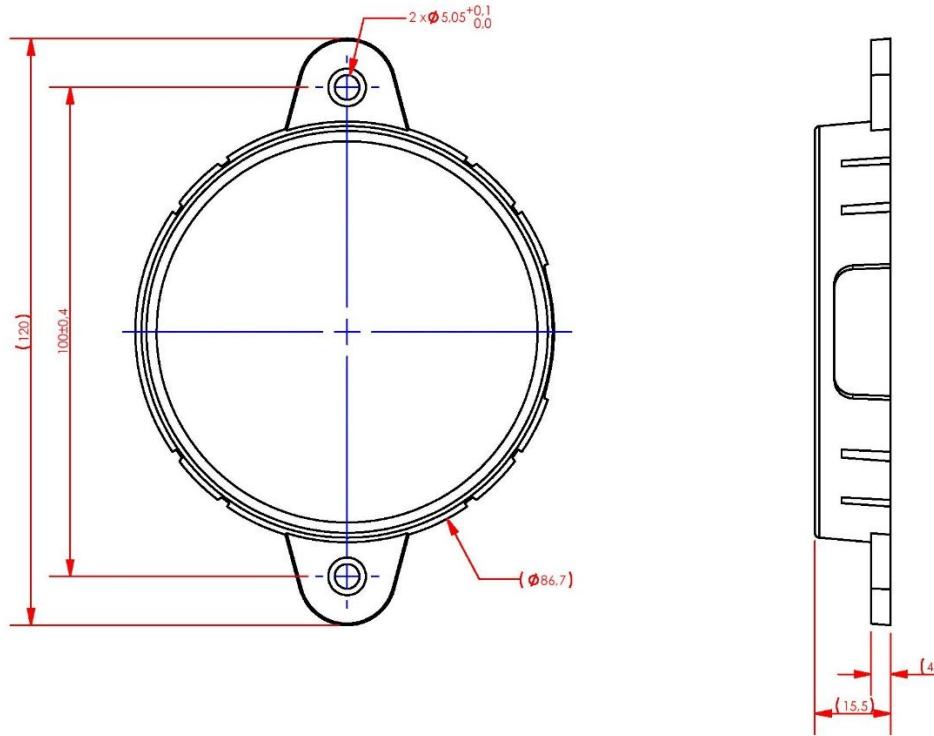
Contact your regional Taoglas customer support team for further information.

2. Specification

Mechanical	
Dimensions	120 x 15.5 mm
Material	Bracket : ABS 777B Compression Limiters: Nickel Plated Brass
Bracket weight	13g

Environmental	
Operation Temperature	-40°C ~ +85°C
Storage Temperature	-40°C ~ +85°C

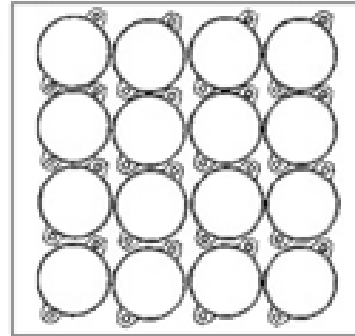
3. Mechanical Drawing



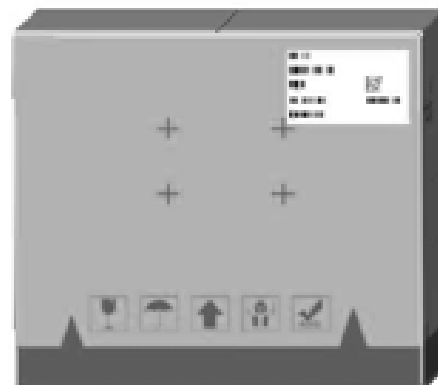
ITEM NO.	DESCRIPTION	QTY.
1	MA32x Series Antenna (NOT INCLUDED)	1
2	Screw Mount Bracket for MA32x Series	1
3	M4 (or equivalent) Fastener (NOT INCLUDED)	2

4. Packaging

16pcs MB.A.MA32X per Clapboard



192 pcs per carton
 Carton dimensions – 370x370x300mm
 Weight – 3.7Kg



Changelog for the datasheet

SPE-24-8-067 – MB.A.MA32X

Revision: A (Initial Release)

Date:	2024-03-27
Changes:	Initial Release
Changes Made by:	Gary West

Previous Revisions



www.taoglas.com

