



L000684-0X

2400-2500 / 4900-5900 / 6000-7125 MHz

Assembly and Installation Instructions

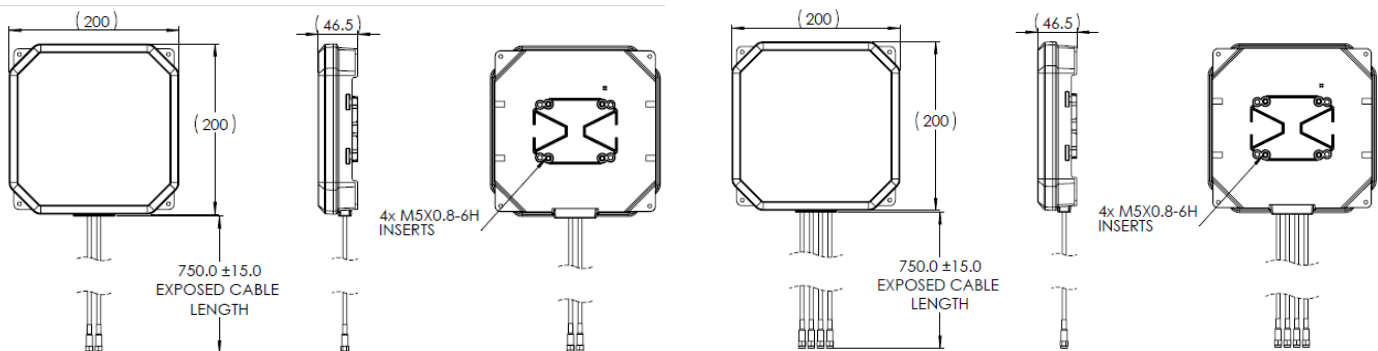
L000684-03 - Tri-band 2-Port Directional Antenna

L000684-04 - Tri-band 4-Port Directional Antenna

SPECIFICATIONS

Operating Frequency (GHz)	2.4 - 2.5	4.9 - 5.9	6.0 - 7.125
GAIN (dBi)	6.1	6.1	5.4
AZIMUTH BEAMWIDTH, H	79°	83°	80°
ELEVATION BEAMWIDTH, V	79°	79°	78°
PORT ISOLATION	20 dB	25 dB	23 dB
IMPEDANCE	50 Ω		
MAX INPUT POWER	33dBm (2 Watts)		
VSWR	< 2:1		
DIMENSIONS - mm (in.)	200 x 200 x 46.5 mm (7.87 x 7.87 x 1.83)		
WEIGHT – kg (lbs.)	2-Port: 0.5 (1.10) 4-Port: 0.6 (1.32)		
RADOME	Material: ASA, Luran S 788T, UV Color: White		
CABLE LENGTH/ CONNECTOR	75±1.5 cm PLENUM RATED RG58LL/ RP-SMA-MALE		
CABLE LENGTH(CM)	75 ± 1.5		
TEMPERATURE RANGE (°C)	-50 TO 85		
IP RATING	IP67		

MECHANICAL DRAWINGS



2 Port

4 Port

SAFETY

The antenna and all associated equipment should be installed in accordance with all applicable local and national electrical code guidelines to ensure safe operation.

LOCATION

This antenna can be mounted in indoor or outdoor locations. For the best results, mount the antenna near the center of the coverage area. A line-of-sight path between the antenna and active floor locations generally works best. Although signals penetrate cubical dividers and interior walls with little attenuation, reinforced block walls, banks of metal cabinets, or steel shelving may attenuate signals or cause multipath, a condition where reflected signals interfere with the primary signal path. Avoid mounting next to a column or vertical support that could create a 'shadow zone' of reduced coverage to one portion of the room.

APPLICATION

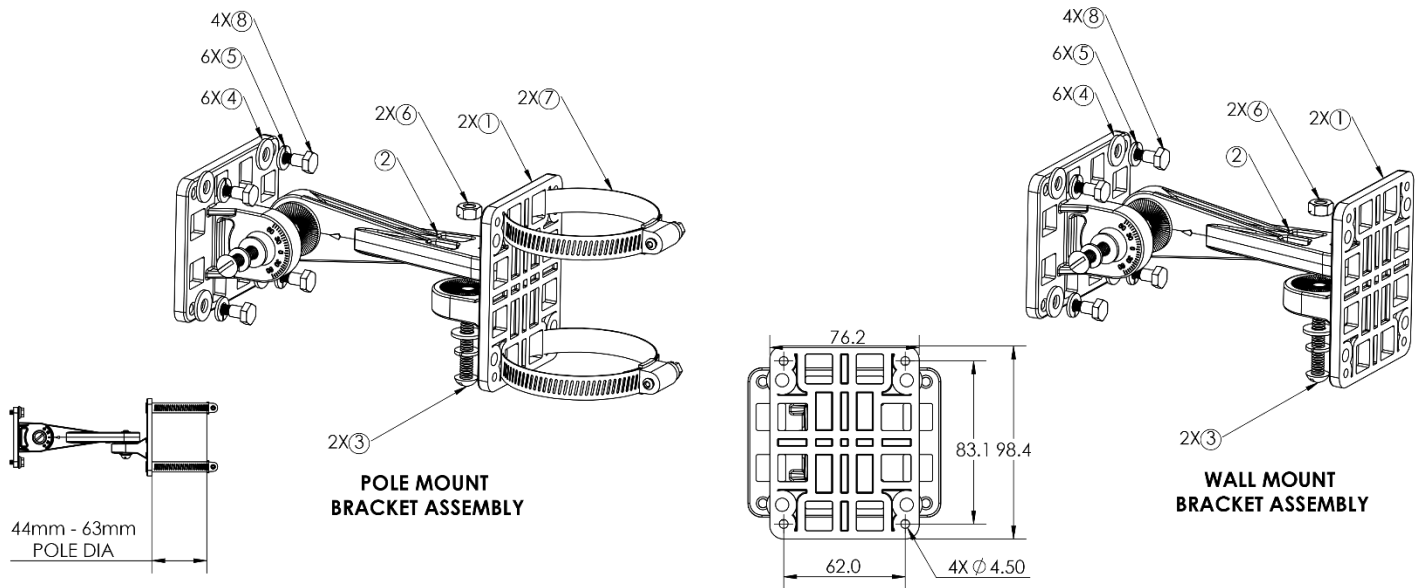
The antenna is designed and optimized for WLAN MIMO system requirements covering a wide range of operation frequency. The covered frequency range includes the band of 2400-2500/ 4900-5900/ 6000-7125. The antenna offers low cross correlation between the radiation elements making it suitable for MIMO operations.

STANDARD MOUNTING

A nylon articulating mount (L000868-01) is included with L000684-0X antennas, providing two mast clamps. See back of manual for assembly of pole & wall mounted option.

ITEM NO	PART NUMBER	DESCRIPTION	QTY
1	120-00244	INJMOLD, ARTICULATING MNT, FLANGE	2
2	120-00243	INJMOLD, ARTICULATING MNT, ARM	1
3	010083	SCR, SRH,1/4-20x1-1/4in, SS, PA	2
4	010104	WASH, FLAT, 1/4in, SS, PA	6
5	010084	WASH, S LOC,1/4in, SS, PA	6
6	010085	NUT, HEX,1/4-20, SS, PA	2
7	101-00120	CLAMP, WMGR, 50mm-135mm, SS, PA	2
8	101-00218	BOLT, M5X0.8X14.2mm	4

MOUNTING OPTIONS



TE TECHNICAL SUPPORT CENTER

USA:	+1 (800) 522-6752
Canada:	+1 (905) 475-6222
Mexico:	+52 (0) 55-1106-0800
Latin/S. America:	+54 (0) 11-4733-2200
Germany:	+49 (0) 6251-133-1999
UK:	+44 (0) 800-267666
France:	+33 (0) 1-3420-8686
Netherlands:	+31 (0) 73-6246-999
China:	+86 (0) 400-820-6015

te.com

TE, TE Connectivity, TE Connectivity (logo) and Every Connection Counts are trademarks. All other logos, products and/or company names referred to herein might be trademarks of their respective owners.

The information given herein, including drawings, illustrations and schematics which are intended for illustration purposes only, is believed to be reliable.

However, TE Connectivity makes no warranties as to its accuracy or completeness and disclaims any liability in connection with its use. TE Connectivity's obligations shall only be as set forth in TE Connectivity's Standard Terms and Conditions of Sale for this product and in no case will TE Connectivity be liable for any incidental, indirect or consequential damages arising out of the sale, resale, use or misuse of the product. Users of TE Connectivity products should make their own evaluation to determine the suitability of each such product for the specific application.

©2023 TE Connectivity. All Rights Reserved.

11/23 Original