



pui audio™ inc
a projects unlimited company

AI-1440-TWT-12V-R 14mm Indicator

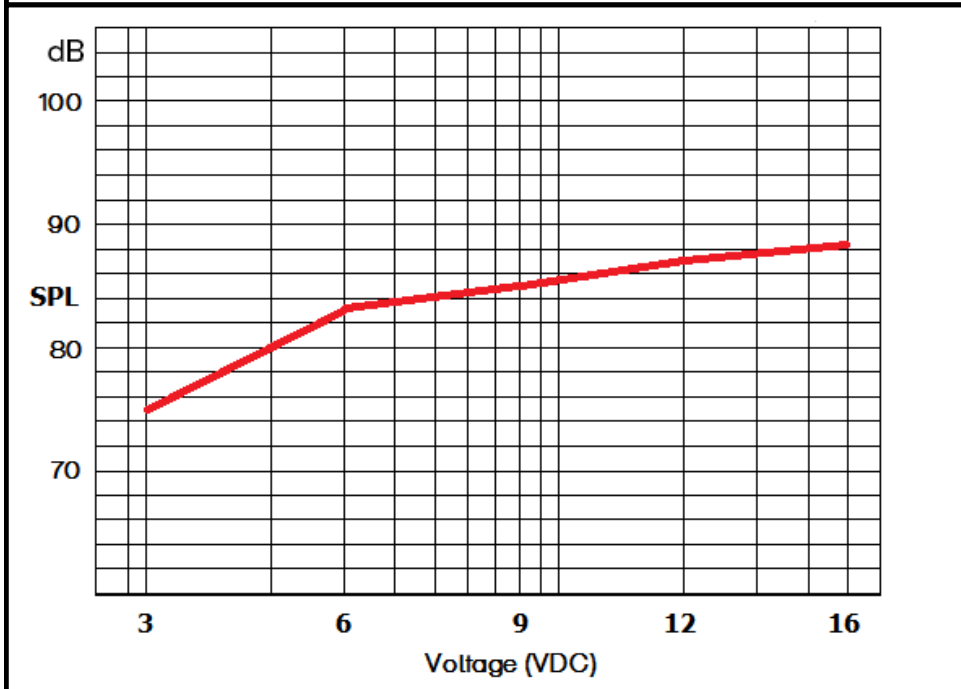
3541 Stop Eight Road • Dayton, Ohio 45414

Product Overview

- 14mm diameter, 3-16 VDC self-drive indicator
- 80 dBA minimum output (12 VDC @ 10 cm) and 4 kHz continuous tone
- Noryl™ housing withstands Wave soldering temperatures
- Removable wash tag preserves performance

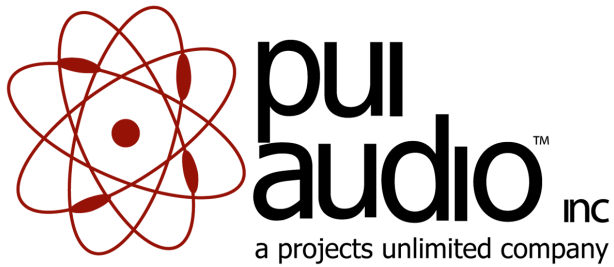


SPL vs Voltage (measured @ 10 cm)



An Institute of the EICC and GeSI

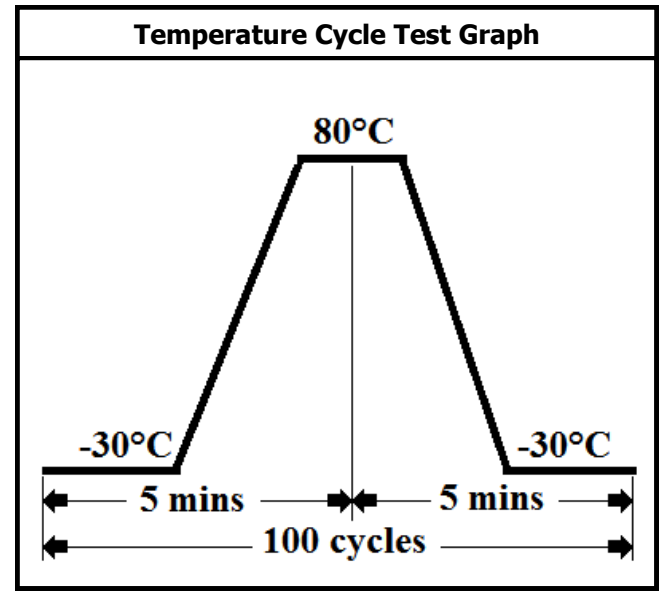
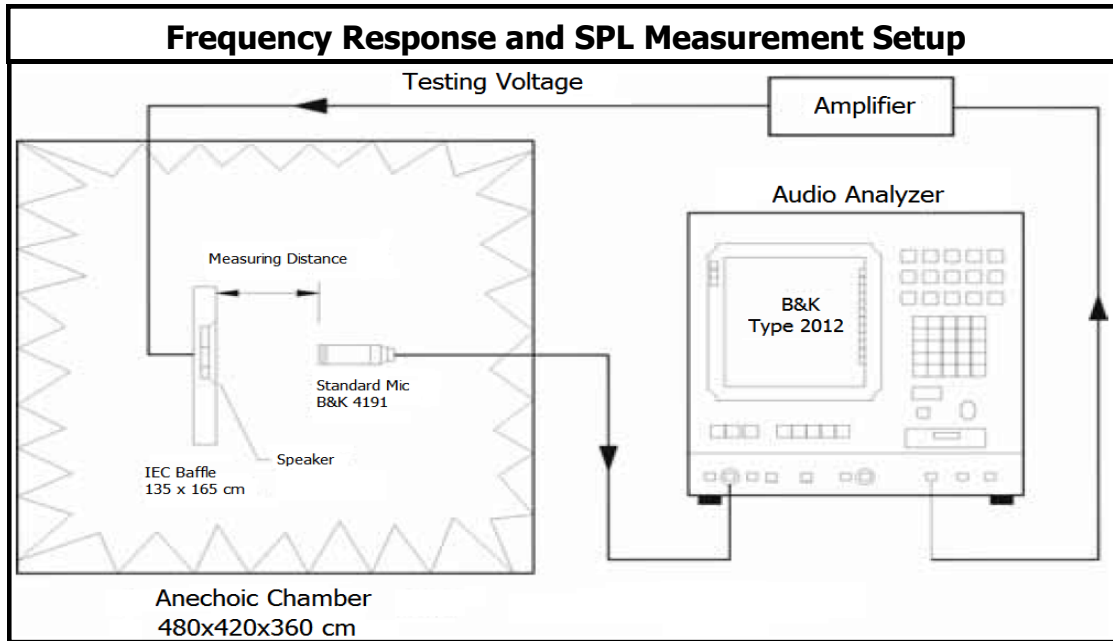
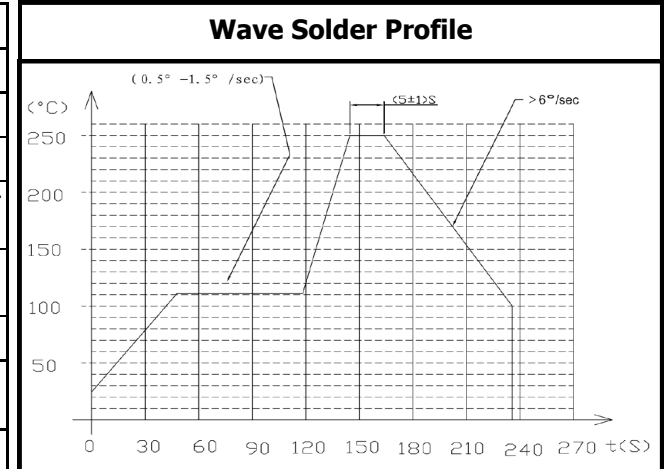




AI-1440-TWT-12V-R 14mm Indicator

Mechanical and Environment Testing	
Test Description	Test Condition
High Temperature	85°C (±2°C) with random humidity for 96 hours
Low Temperature	-25°C (±2°C) with random humidity for 96 hours
Humidity	40°C (±2°C) with 90% to 95% relative humidity for 96 hours
Vibration	0.75 mm movement modulated at 10-55 Hz for 3 hours
Drop Test	100 cm free fall onto wood board, 10 cycles
Temperature Cycle Test	-30°C to 80°C, 100 cycles

After tests, part shall rest for 2 hours. Parts are then tested for clean, pure tones.



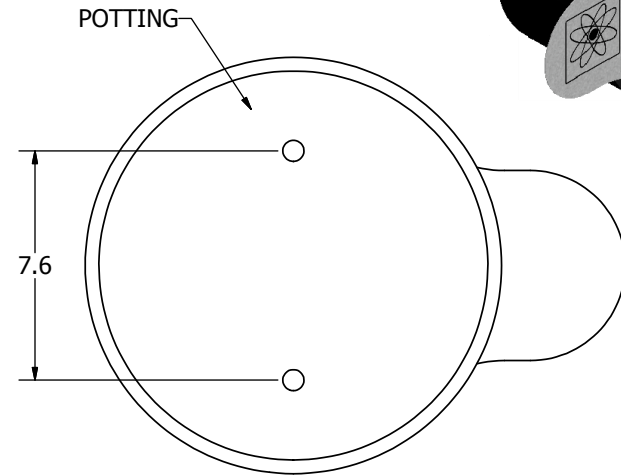
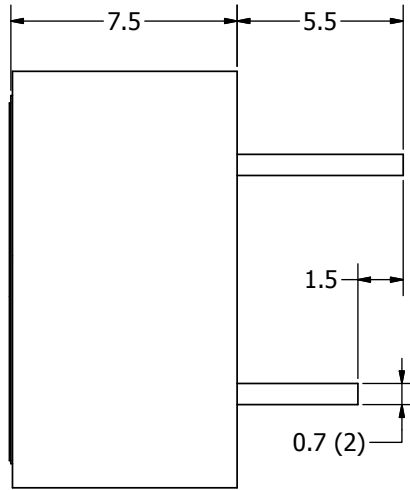
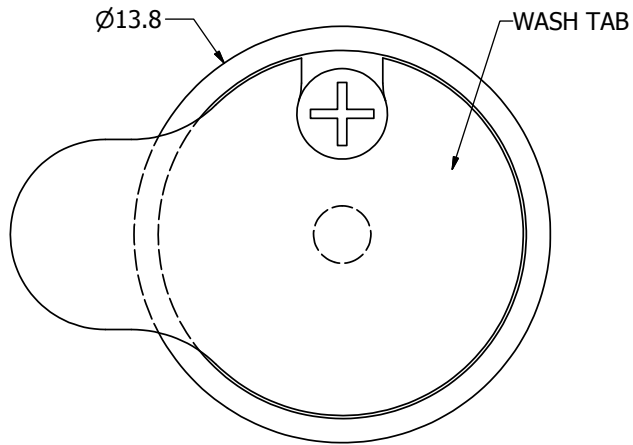
SPECIFICATIONS

PARAMETERS	VALUES	UNITS
RATED VOLTAGE	12	Vdc
OPERATING VOLTAGE RANGE	3 ~ 16	Vdc
RATED CURRENT (MAX)	7	mA
MINIMUM SPL @ 10 CM	80	dBA
RESONANT FREQUENCY	4,000 ± 500	Hz
TONE OR PULSE RATE	CONTINUOUS	0 pulse /second
OPERATING TEMPERATURE	-20 ~ +70	°C
STORAGE TEMPERATURE	-30 ~ +80	°C
HOUSING MATERIAL	NORYL	-
TERMINAL MATERIAL	Sn PLATED RED COPPER	-
WEIGHT	1	grams

THIS DOCUMENT CONTAINS DATA PROPRIETARY TO PROJECTS UNLIMITED, INC. ANY USE OR REPRODUCTION, IN ANY FORM, WITHOUT PRIOR WRITTEN PERMISSION OF PROJECTS UNLIMITED, INC. IS PROHIBITED.
©2003, Projects Unlimited Inc.


REVISION HISTORY

LTR	DESCRIPTION	DATE	APPROVED
-	RELEASED FROM ENGINEERING	8/19/2004	
A	REVISED RoHS STATEMENT	5/27/2005	B.R.
B	REVISED DIMENSION SIZE AND STYLE	11/28/2005	B.R.
C	REVISED TERMINAL MATERIAL	3/20/2006	B.R.
D	REVISED TO INVENTOR 3-D DRAWING TEMPLATE	10/9/2007	B.R.



NOTES:

1. ALL DIMENSIONS ARE IN MILLIMETERS.
2. SPECIFICATIONS SUBJECT TO CHANGE OR WITHDRAWAL WITHOUT NOTICE.
3. THIS PART IS RoHS 2002/95/EC COMPLIANT.

UNLESS OTHERWISE SPECIFIED:	SIZE	Designed by	Date	Checked by	Date	Approved by	Date	Drawn Date	
DIMENSIONS ARE IN MILLIMETERS, TOLERANCES ARE ±0.5 AND ANGLES ARE ±3°.	A3	J.D.	8/19/2004			R.W.	8/20/2004	10/9/2007	
AI-1440-TWT-12V-R.idw		 pui audio <small>a projects unlimited company</small>		AI-1440-TWT-12V-R Indicator				Edition -	Sheet 1 / 1