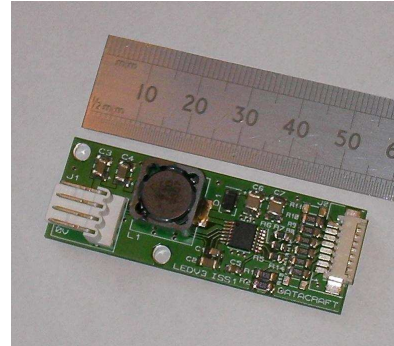


LEDV3

LEDV3 is a small board designed to drive the LED back light of various LCD displays.

FEATURES

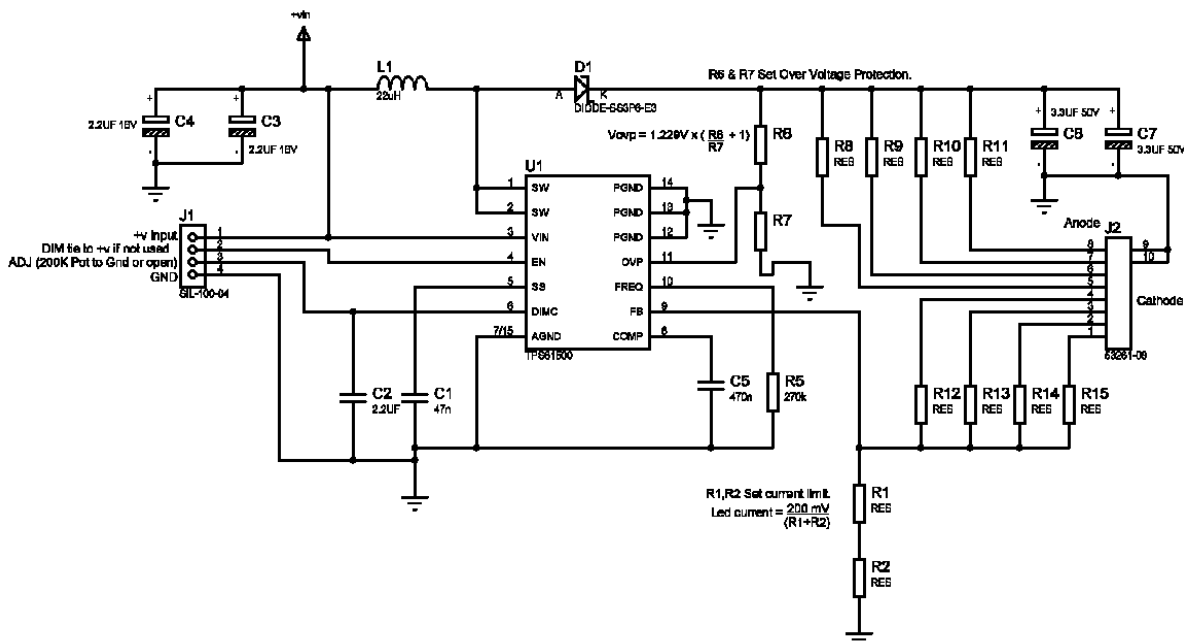
- High Output Voltage: Up to 40V.
- High Output Current Switch: Up to 3A..
- Input voltage range 2.9v to 16.0v input.
- Brightness adjustment.
- High Efficiency: Up to 93%.
- Ballast resistors for up to 4 channels.



- Dimensions 57 x 20 x 9 mm.

J1 input connector. 4 way Molex 22-05-1042	Description
1	+VIN Input 2.9v to 16V
2	ENABLE High to turn on. Low to shut down or PWM input. Connect to +V if not used.
3	DIM Brightness adjustment via 200K pot to ground (Leave open for max brightness)
4	0V Ground Input.

J2 output connector. 8 way Molex 51201	Description
1	K 1 CHANNEL 1 LED cathode connection -.
2	K 2 CHANNEL 2 LED cathode connection -.
3	K 3 CHANNEL 3 LED cathode connection -.
4	K 4 CHANNEL 4 LED cathode connection -.
5	A 1 CHANNEL 1 LED Anode connection +.
6	A 2 CHANNEL 2 LED Anode connection +.
7	A 3 CHANNEL 3 LED Anode connection +.
8	A 4 CHANNEL 4 LED Anode connection +.



Please refer to Texas Instruments TPS61500 specification for further detail.