

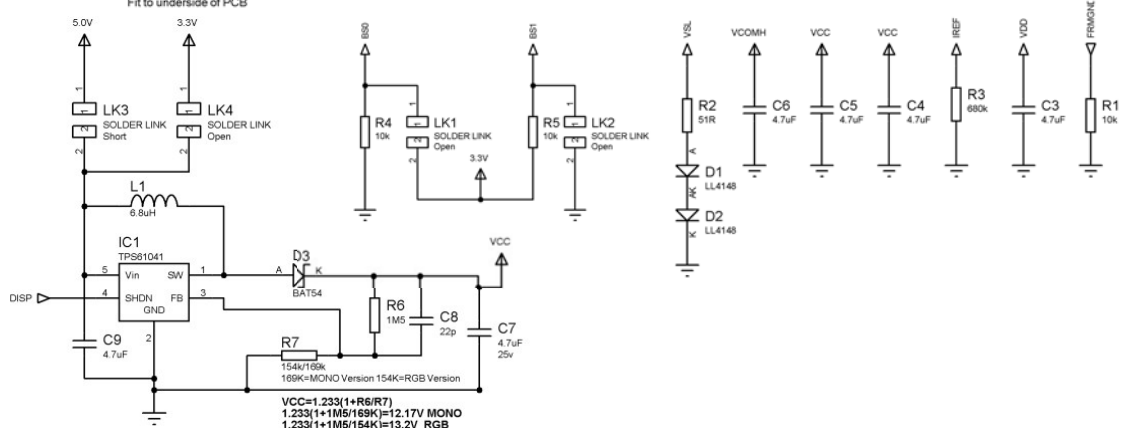
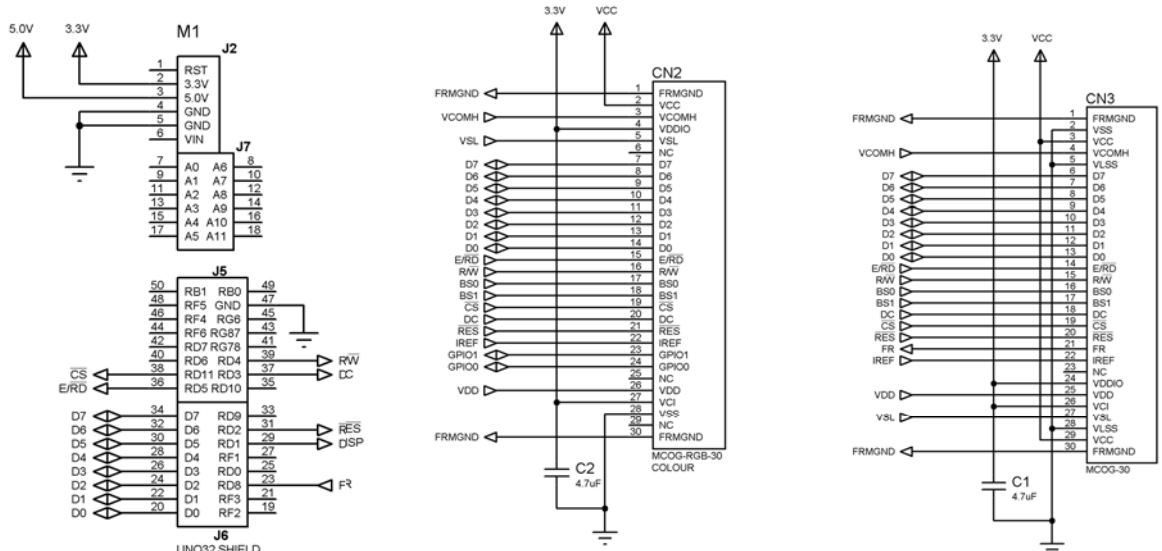
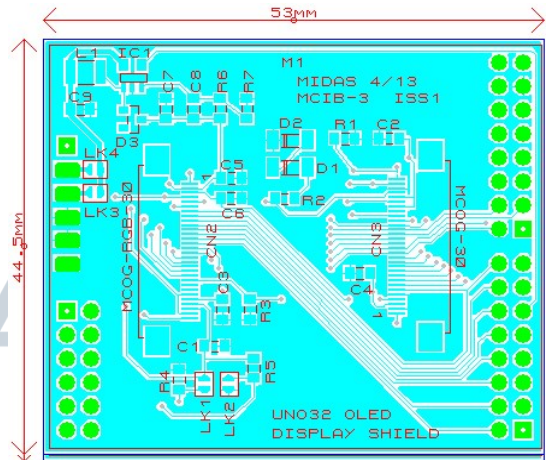
Specification	
Part Number:	MCIB-3-MONO
Version:	3
Date:	03/11/2015
Revision	
Date	Description of change
08/04/2014	First Draft
21/04/2015	MONO/ RGB Edition
03/11/2015	Mechanical Drawing

DESIGN • MANUFACTURE • SUPPLY

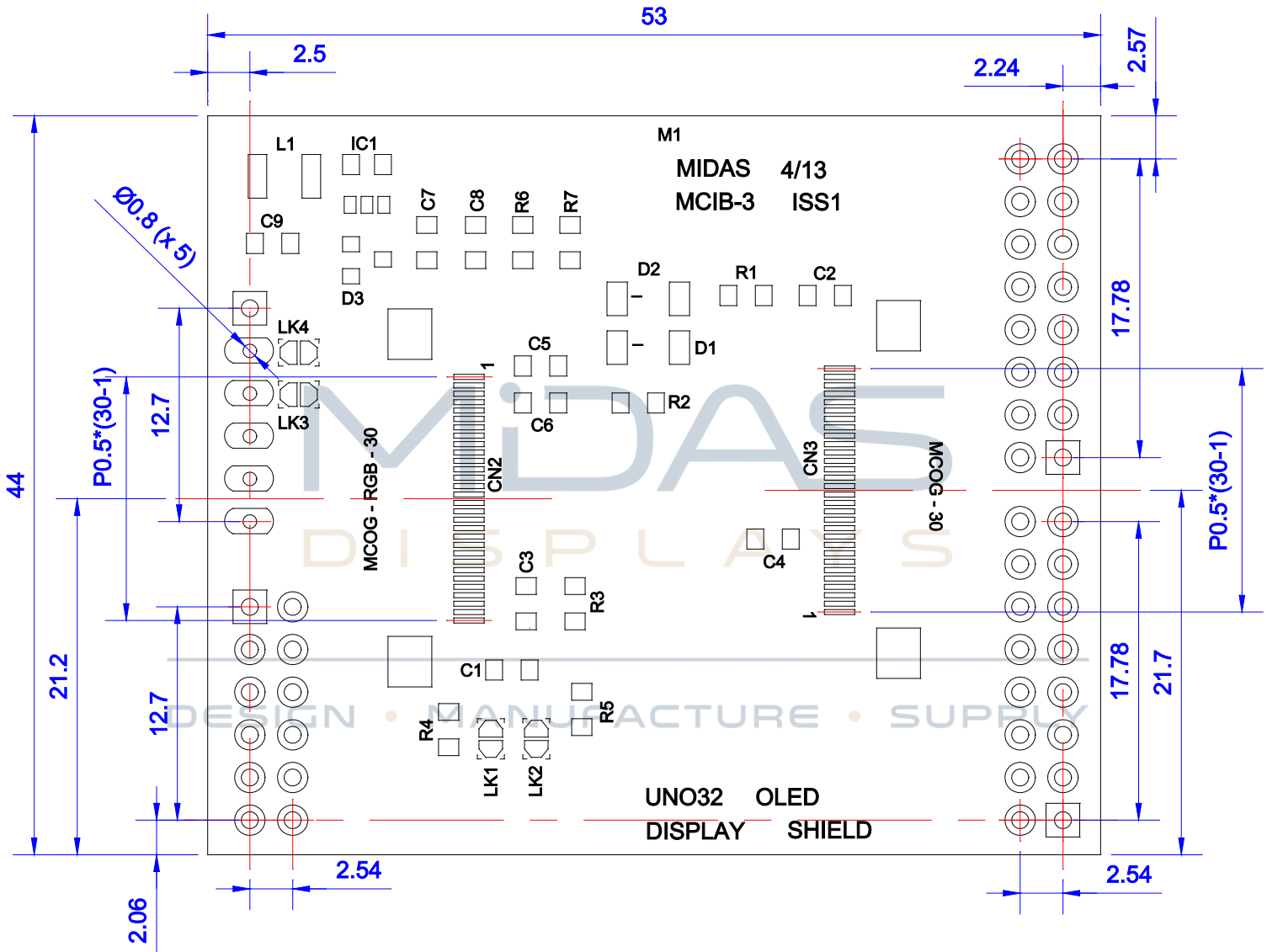


MCIB-3-MONO

30 way Mono OLED interface board compatible with UNO32 or uC32 controller board and MCOT256064A, MCOT256064B and MCOT256064C.



Mechanical Drawing



***Note all measurements are in mm
and all holes are 0.5mm in radius
unless stated otherwise.**

