

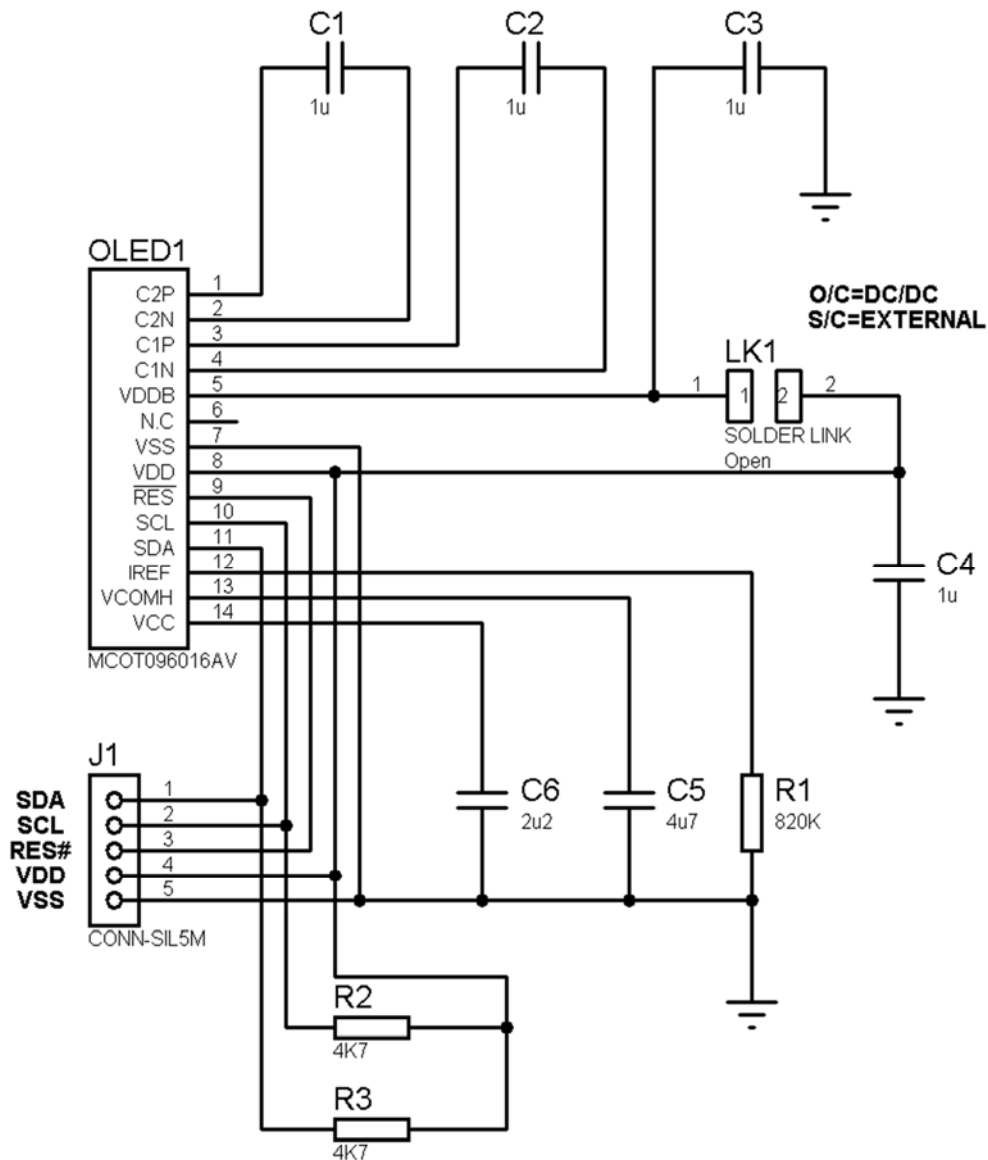
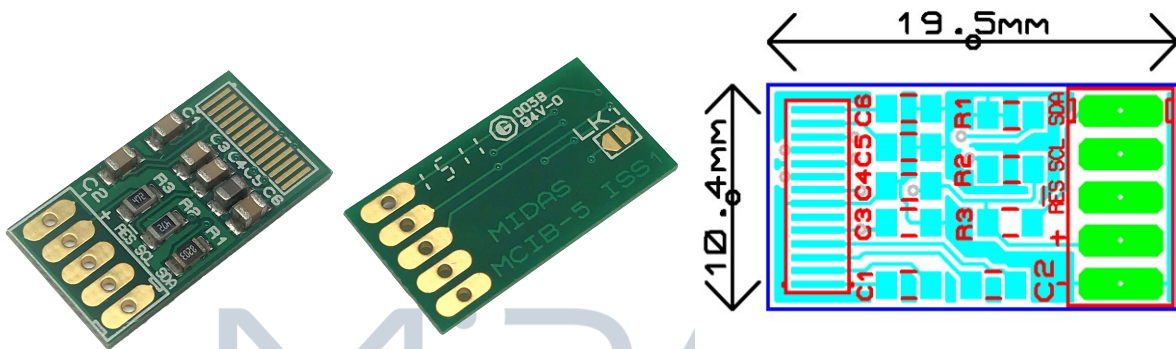
Specification	
Part Number:	MCIB-5
Version:	2
Date:	03/11/2015
Revision	
Date	Description of change
20/05/2014	First Draft
03/11/2015	Mechanical Drawing

DESIGN • MANUFACTURE • SUPPLY

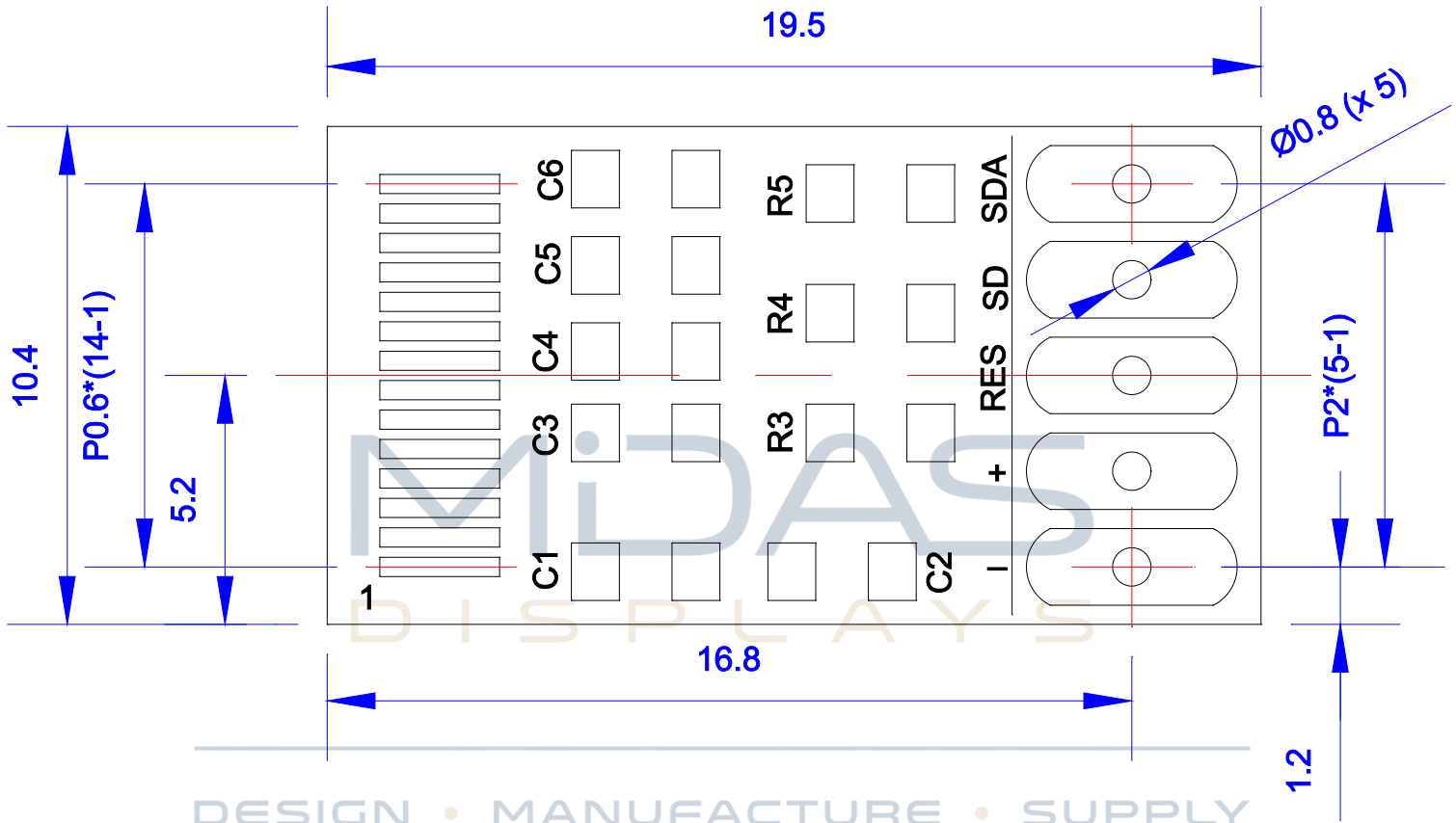


MCIB-5

14 way MCOT096016AV OLED Display Interface Board.



Mechanical Drawing



DESIGN • MANUFACTURE • SUPPLY

*Note all measurements are in mm
unless stated otherwise.

