

# / M.2 HIGH SPEED I/O MODULE

AVNET®

This high speed I/O module features PCI Express, SDIO, and UART interfaces on industry standard M.2 "B" and "E" key connectors. The "B" keyed connector is useful for adding on NVMe SSD storage or AI accelerators and the "E" keyed connector is ideal for adding on WiFi & Bluetooth wireless connectivity. This add-on board enables essential features of high speed storage, high performance compute, and wireless connectivity to the ZUBoard 1CG.

An AMD Vivado project and PetaLinux BSP with these features enabled is provided, allowing users to quickly add PC-like high speed and wireless connectivity to their ZUBoard 1CG dev board.

## Features

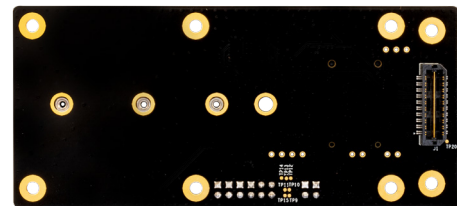
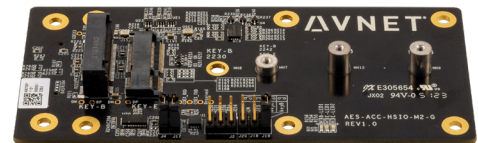
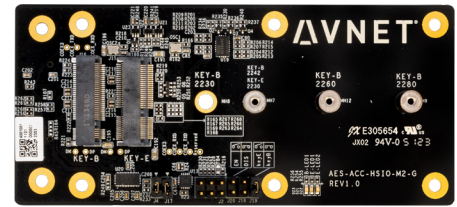
- PCI Express Gen. 2 (2 lanes)
- SDIO
- UART

## Kit includes

- M.2 Module

## Target apps

- AI
- Industrial
- IoT
- Embedded vision

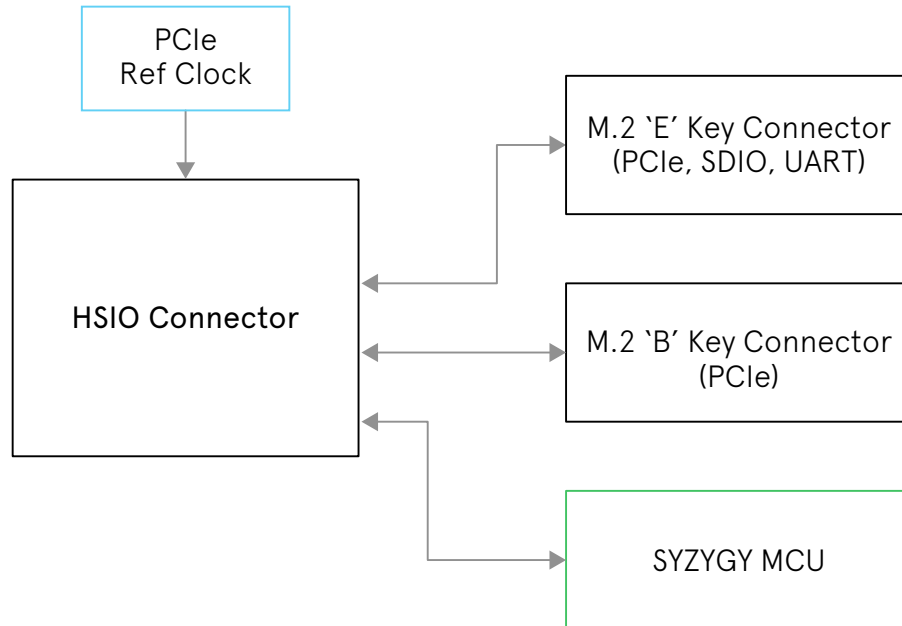


DESIGNED  
BY AVNET

For more information on the M.2 High Speed I/O module, visit: [avnet.me/m2-hsio-module](https://avnet.me/m2-hsio-module)

To purchase kit, visit: [avnet.me/m2-hsio-module-pdp](https://avnet.me/m2-hsio-module-pdp)

## Block diagram



## Featured manufacturers



## Parts

Part number	Description	Price and availability
AES-ACC-HSIO-M2-G	M.2 High Speed I/O Module	<a href="https://avnet.me/m2-hsio-module-pdp">avnet.me/m2-hsio-module-pdp</a>

## Related parts

Part number	Description	Price and availability
Samtec QTH-020-01-F-D-DP-A-K-TR	Conn Differential Pair HDR 40 POS 1.5mm Solder ST SMD T/R	<a href="#">See web page</a>
Amphenol MDT275E01001	Conn Card Edge RCP 67 POS 0.5mm Solder RA SMD	<a href="#">See web page</a>
Amphenol 10128796-004RLF	Conn Card Edge SKT 67 POS 0.5mm Solder RA SMD T/R	<a href="#">See web page</a>

Countries available for purchase: Americas, EMEA, Asia, Japan

## Contact information

**North America**  
2211 S 47<sup>th</sup> Street  
Phoenix, Arizona 85034  
United States of America  
1-800-585-1602

**Europe (Silica)**  
Gruber Str. 60c  
85586 Poing  
Germany  
+49-8121-77702

**Europe (EBV)**  
Im Technologypark 2-8  
85586 Poing  
Germany  
<http://ebv.com/contact>

**Japan**  
Yebisu Garden Place Tower, 23F  
4-20-3 Ebisu, Shibuya-ku  
Tokyo 150-6023 Japan  
[eval-kits-jp@avnet.com](mailto:eval-kits-jp@avnet.com)  
+81-(0)3-5792-8210

**Asia**  
151 Lorong Chuan  
#06-03 New Tech Park  
Singapore 556741  
[amd-xilinxapac@avnet.com](mailto:amd-xilinxapac@avnet.com)  
+65-6580-6000

1.800.332.8638 / [avnet.com](https://avnet.com)

Copyright © 2024 Avnet, Inc. AVNET and the AVNET logo are registered trademarks of Avnet, Inc. All other brands are the property of their respective owners. FY24\_1343\_NPI\_M.2\_High\_Speed\_IO\_Module\_Product\_Brief\_Update\_al