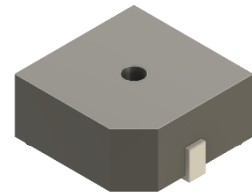




PUI audio



Data Sheet

SMT-1550-T-HT

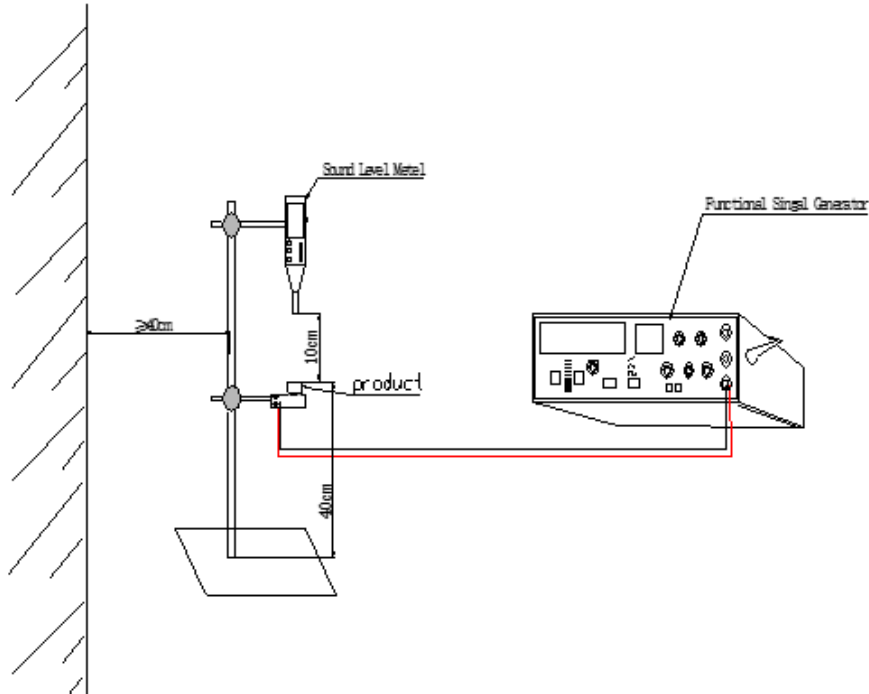
Features:

- 14.8mm x 14.8mm footprint
- Low power consumption & no added EMI/EMC concerns
- Surface mount and 6.8mm height for low profile, easy installation
- Wide operating temperature range up to 85°C and as low as -30°C
- 85dB @ 12.0V (peak to peak)
- Resonant frequency of 5,000 Hz

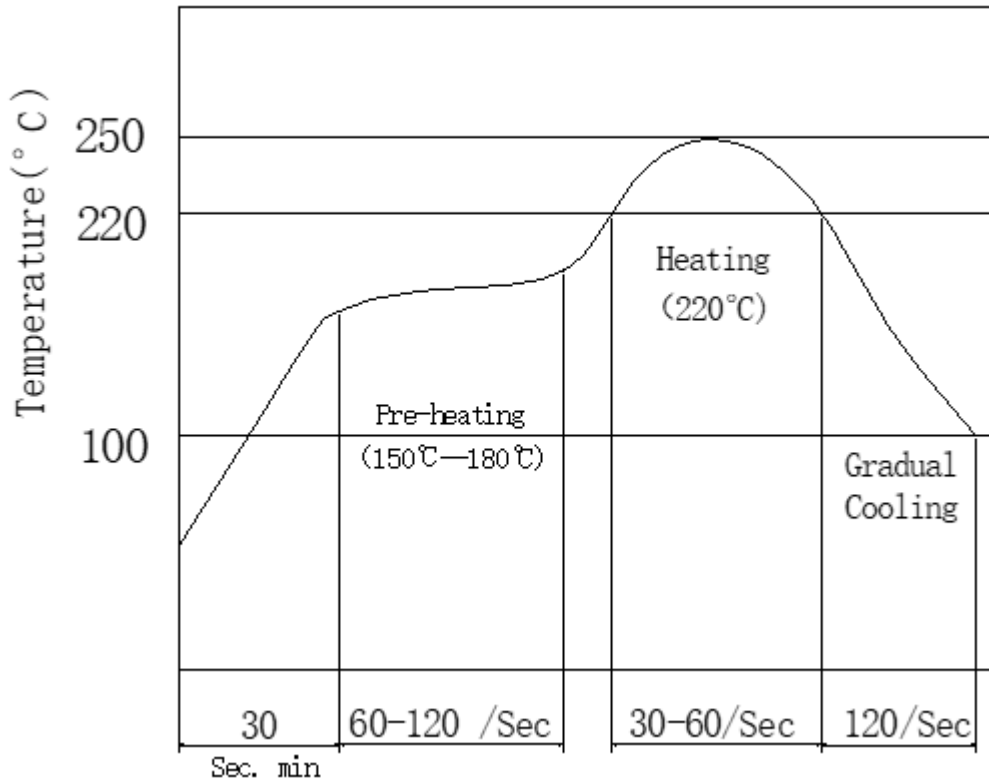
Specifications

Parameters	Values	Units
Rated Voltage	12	Vp-p
Operating Voltage Range	1 ~ 20	Vp-p
Current Draw at Rated Voltage	3	mA
Capacitance	12,000 ± 30%	pF
Minimum SPL @ 10cm	85	dBA
Resonant Frequency	5,000	Hz
Housing Material	PPS	-
Terminal Material	Brass	-
Weight	0.4	Grams
Acceptable Soldering Methods	Reflow Solder	See page 3 for soldering information
Environmental Compliances	<i>RoHS/REACH</i>	Ex. 7c-1
Storage Temperature	-40 ~ 85	°C
Operating Temperature	-30 ~ 85	°C

Measurement Method (3V, 4kHz)



Recommended Soldering Procedure

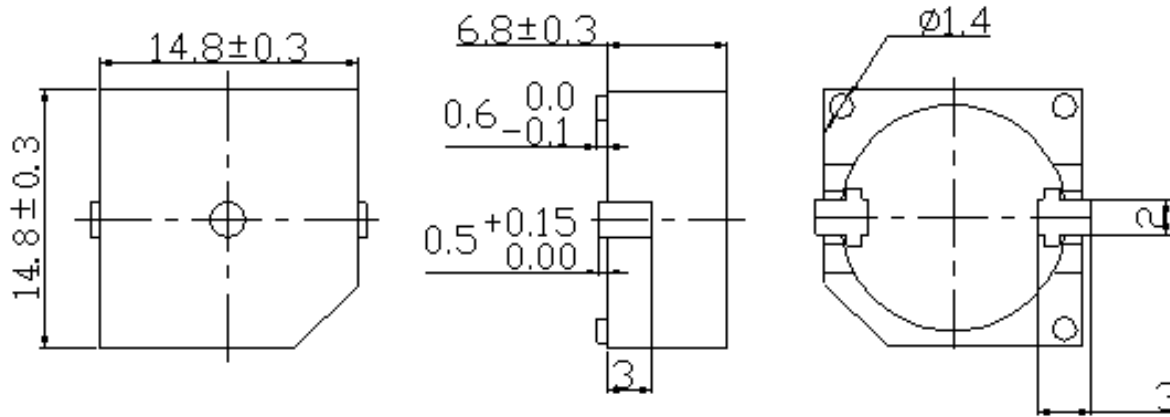


Reliability Testing

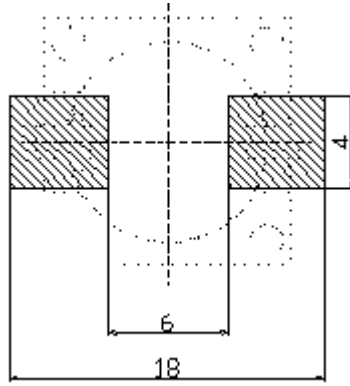
Type of Test	Test Specifications
High Temperature Test	96 hours at 85°C
Low Temperature Test	96 hours at -40°C
Humidity Test	96 hours at 40°C with relative humidity at 90~5%
Temperature Cycle Testing	Run for 5 cycles with each cycle consisting of:
Vibration Test	Run in the X, Y, and Z directions for 2 hours each at: Amplitude: 1.5mm Time : 1min/axis
Drop Test	Free drop a unit from the height 70cm to the surface of 10mm thick board, three directions(X,Y,Z).

After each test, let rest for 2 hours and then the change in SPL shall be within $\pm 5\text{dB}$

Dimensions

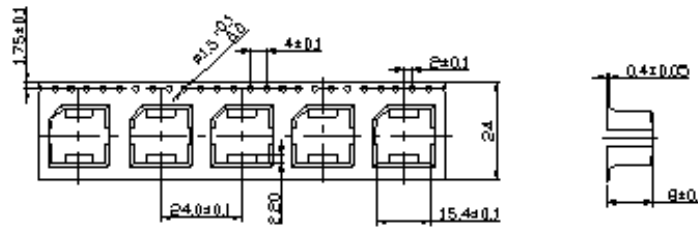


Suggested Land Pattern*

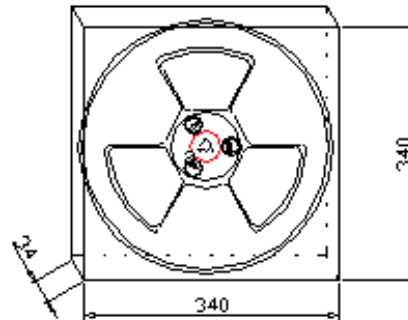


*This land pattern is advisory only and its use or adaptation is entirely voluntary. PUI Audio disclaims all liability of any kind associated with the use, application, or adaptation of this land pattern.

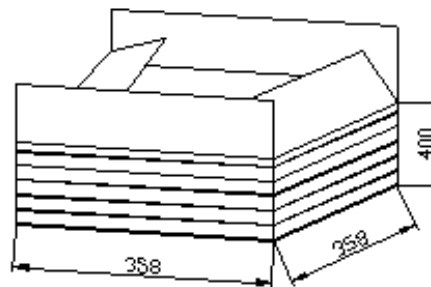
Packaging



300PCS/CARRUER REEK



1ROLL CARRIER REEL/INNER BOX



3000PCS/CTN

Specifications Revisions

Revision	Description	Date
A	Released from Engineering	1/10/2024

Note:

- Unless otherwise specified:
 - All dimensions are in millimeters.
 - Default tolerances are $\pm 0.5\text{mm}$ and angles are $\pm 3^\circ$.
- Specifications subject to change or withdrawal without notice.