



TAOGLAS®



Datasheet

868/915MHz ISM/LoRA Flexible PCB Antenna

Part No:
FXP895.07.0200C

Description

860-928MHz ISM/LoRA Compact Flexible PCB Antenna

Features:

- Compact ISM/LoRA antenna
- Embedded FPC Antenna Supporting 860 to 928MHz
- Dimensions: 69mm * 20mm * 0.2mm
- Mini coaxial cable -mm 1.13 IPEX MHFI U.FL Compatible connector
- Custom Cables and Connectors Available
- RoHS & Reach Compliant

1.	Introduction	3
2.	Specification	4
3.	Antenna Characteristics	5
4.	Radiation Patterns	9
5.	Mechanical Drawing	12
6.	Packaging	13
<hr/>		
	Changelog	16

Taoglas makes no warranties based on the accuracy or completeness of the contents of this document and reserves the right to make changes to specifications and product descriptions at any time without notice. Taoglas reserves all rights to this document and the information contained herein. Reproduction, use or disclosure to third parties without express permission is strictly prohibited.



1. Introduction



The Taoglas FXP895 is an ISM/LoRA compact flexible PCB antenna designed to fit into small devices. This antenna has been expertly designed to cover frequencies used in different regions for ISM/LoRA applications, incorporating a wideband design is rare for ISM/LoRA products and with the FXP895 frequencies from 860-928MHz can be covered so one SKU can be used for global ISM/LoRA applications.

The FXP895 has been designed to be extremely compact compared to other ISM/LoRA Flexible PCB antennas meaning it can be placed in areas where other products cannot. It can be adhered via 3M tape on to a customer's device with care taken to ensure the antenna is placed as far away from metal components as possible.

Typical Applications Include:

- Remote Monitoring
- Mesh Networks
- Security

The FXP895's cables and connectors are fully customizable, please contact your regional Taoglas customer support team for further information.

2. Specification

LTE Electrical								
Band	Frequency (MHz)	Efficiency (%)	Average Gain (dB)	Peak Gain (dBi)	Impedance	Polarization	Radiation Pattern	Max. input power
868MHz	863-870	51.6	-2.87	1.92	50 Ω	Linear	Omni	2W
915MHz	902-928	58.3	-2.34	2.83				

Mechanical	
Dimensions	69.3 x 20 x 1.6mm
Weight	2g
Material	Polymer
Connector	IPEX MHFI U.FL compatible
Cable	1.13mm Coaxial

Environmental	
Operation Temperature	-40°C to 85°C
Storage Temperature	-40°C to 85°C
Relative Humidity	40% to 95%
RoHs & REACH Compliant	Yes

3. Antenna Characteristics

3.1 Test Setup

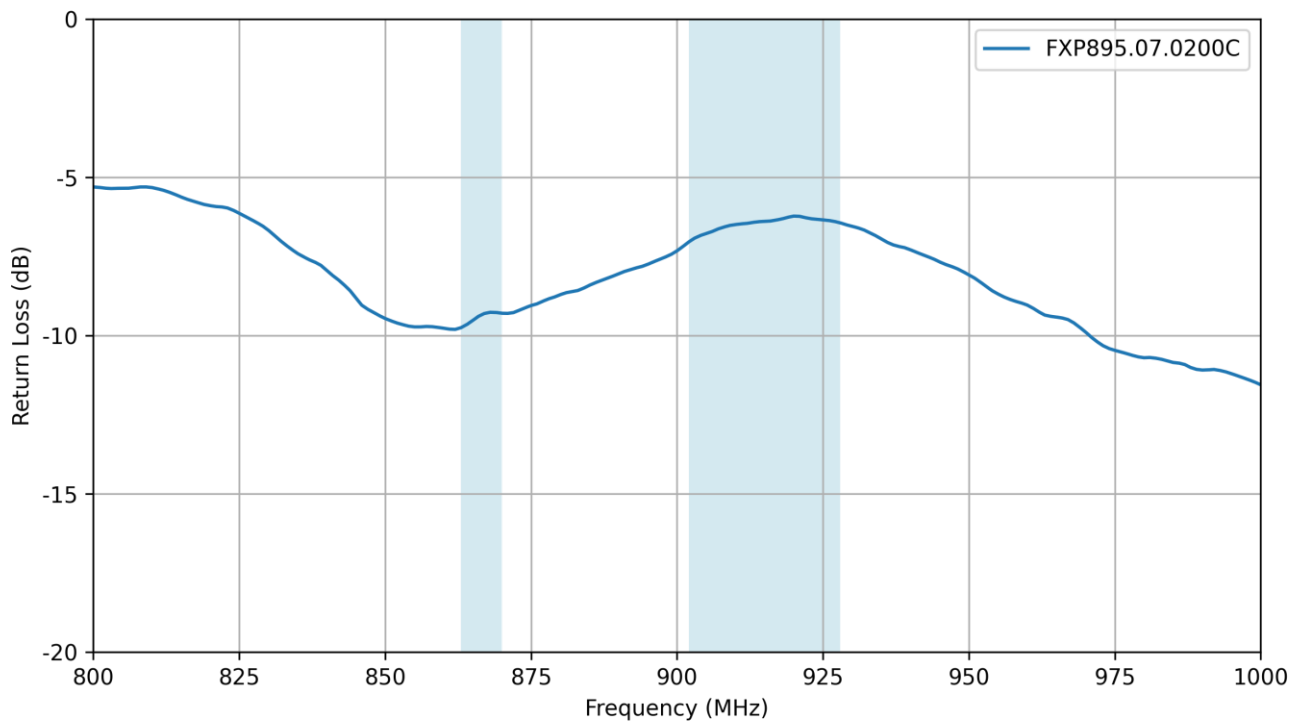
AUT



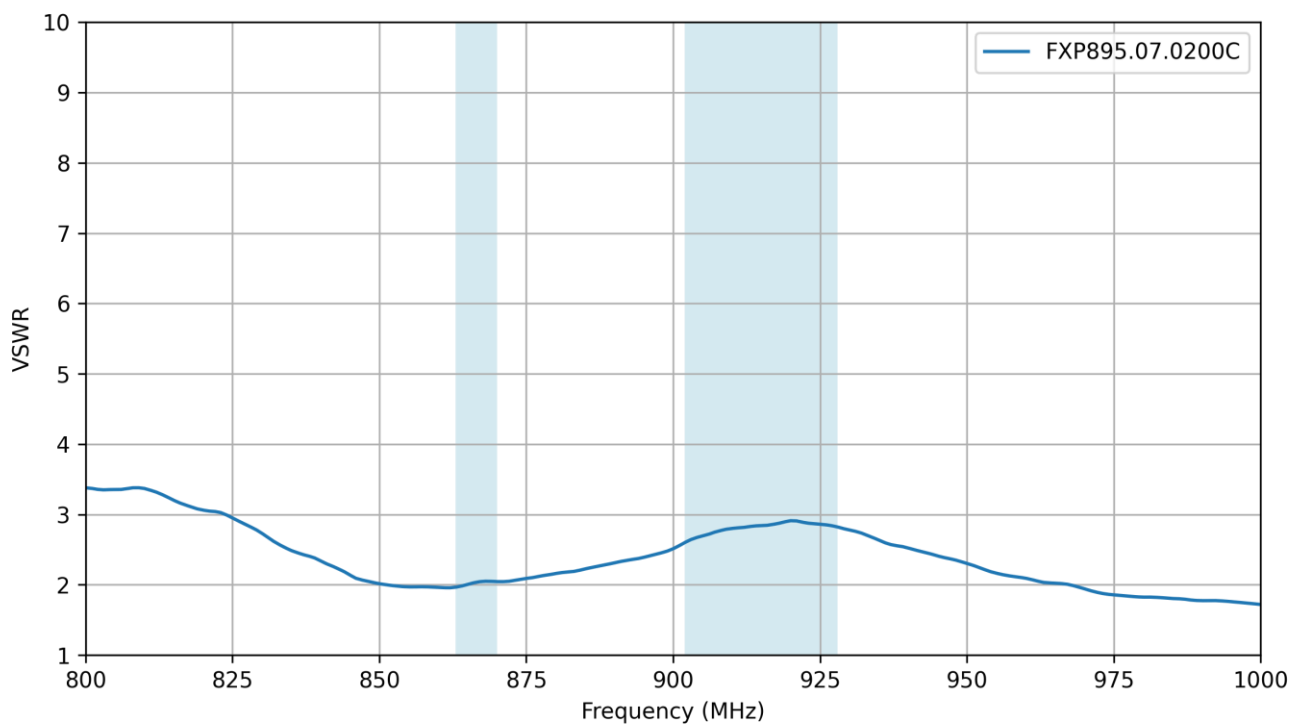
Vector Network Analyzer



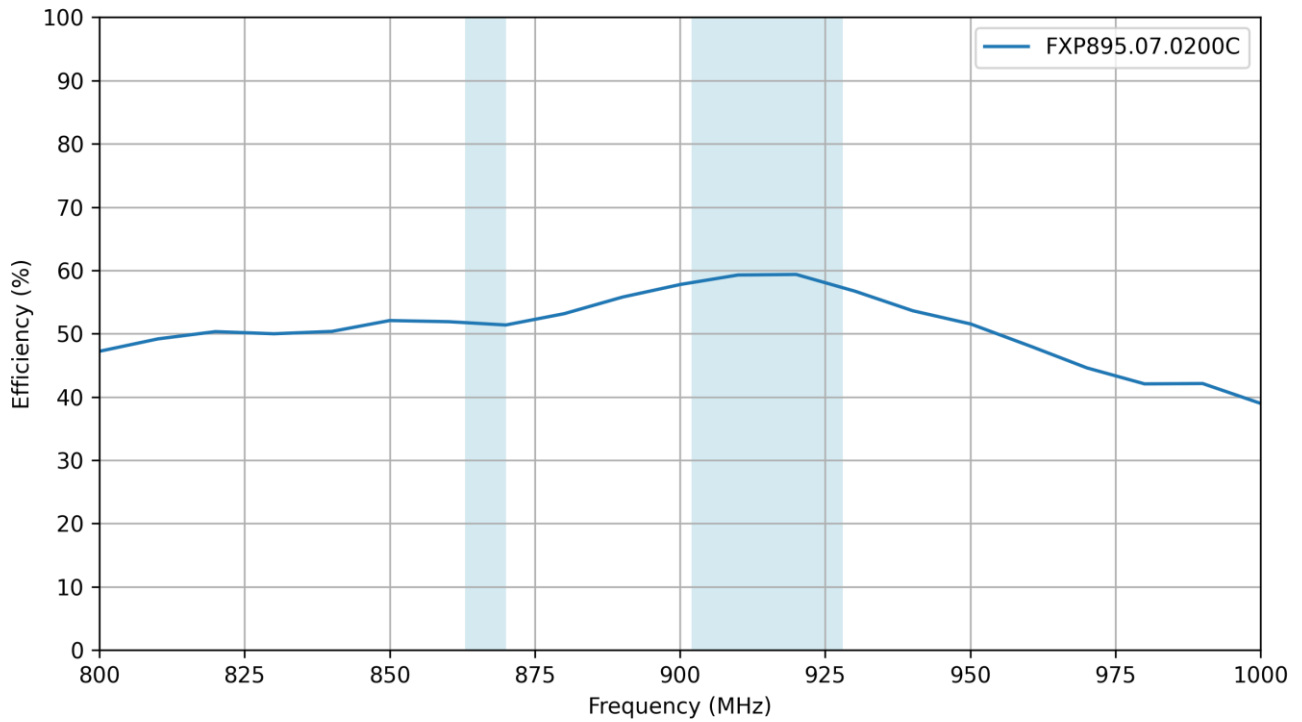
3.2 Return Loss



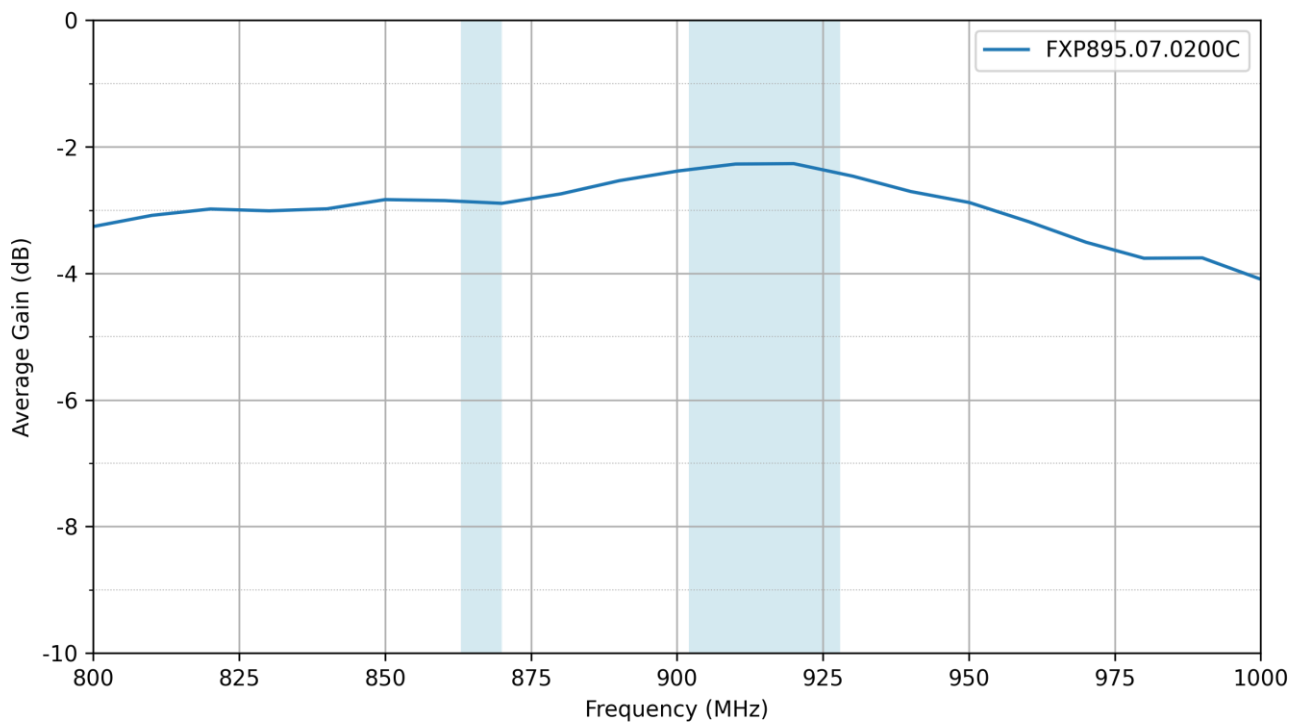
3.3 VSWR



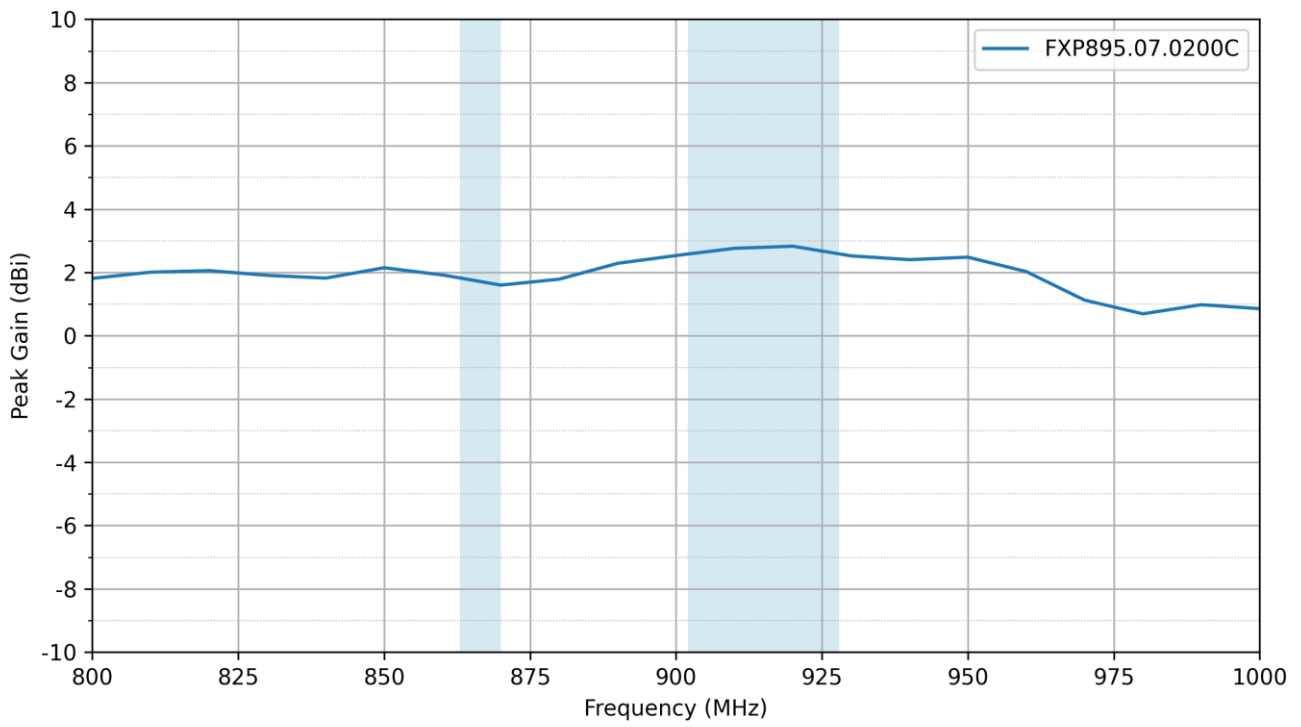
3.4 Efficiency



3.5 Average Gain

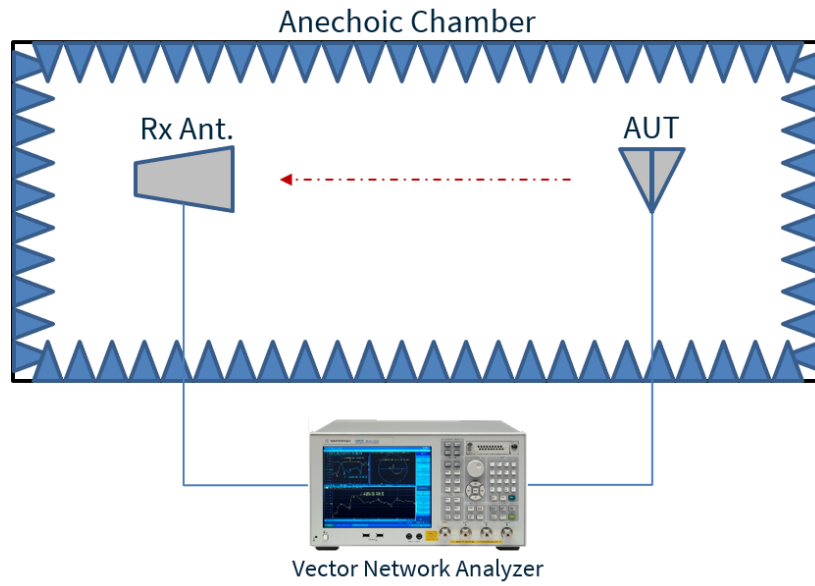


3.6 Peak Gain

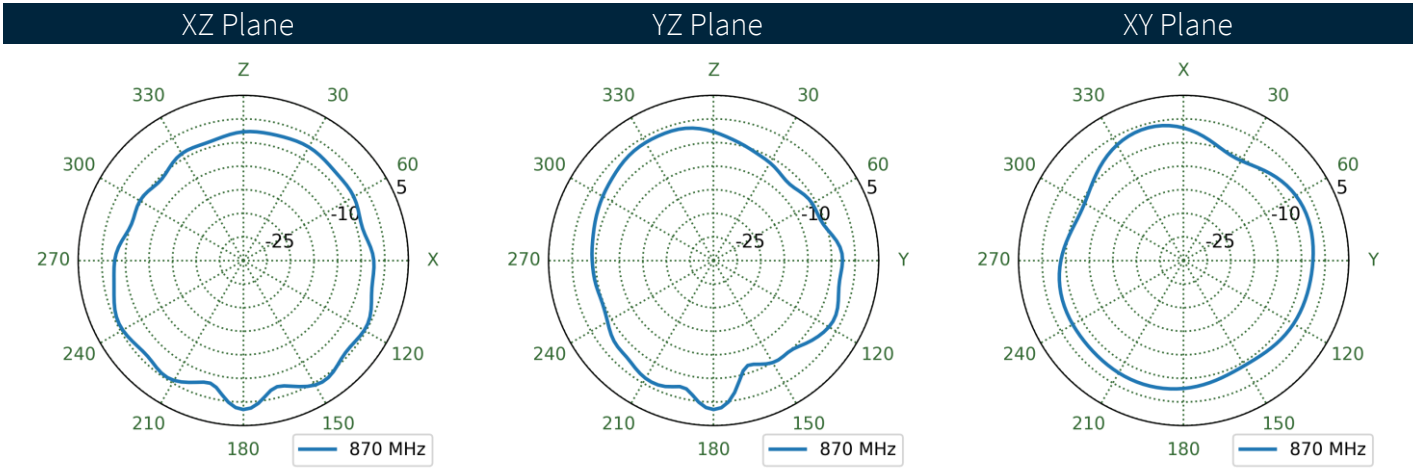
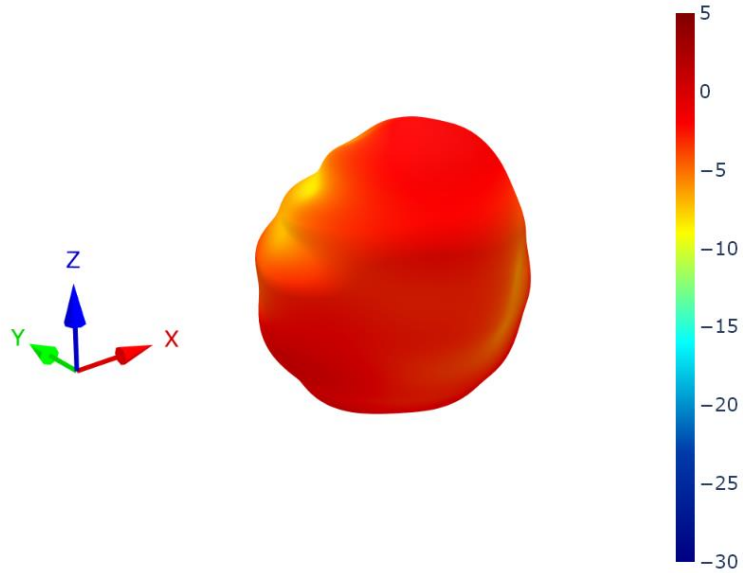


4. Radiation Patterns

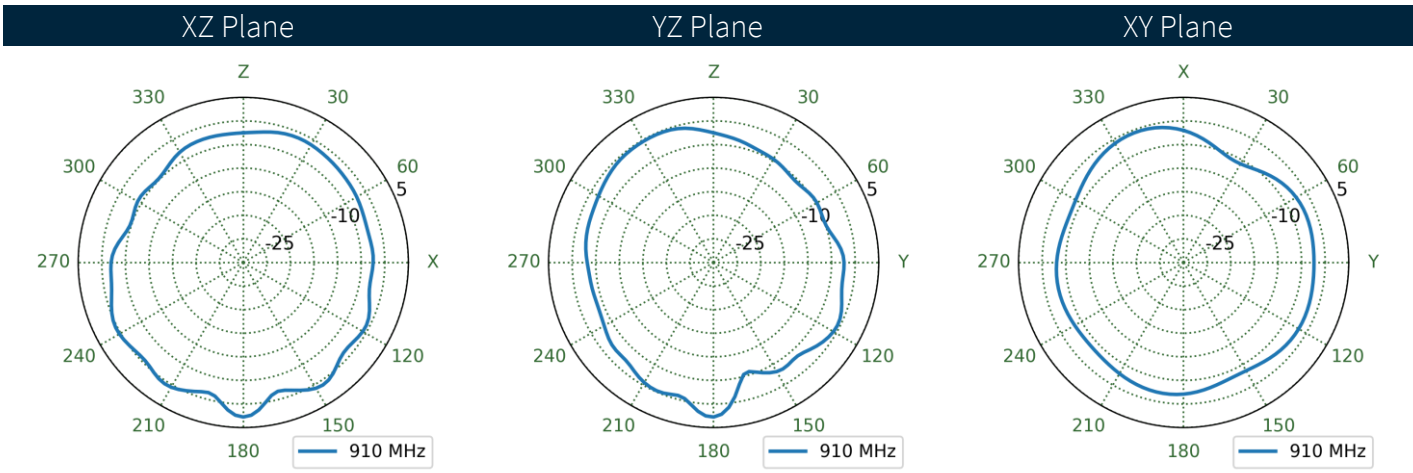
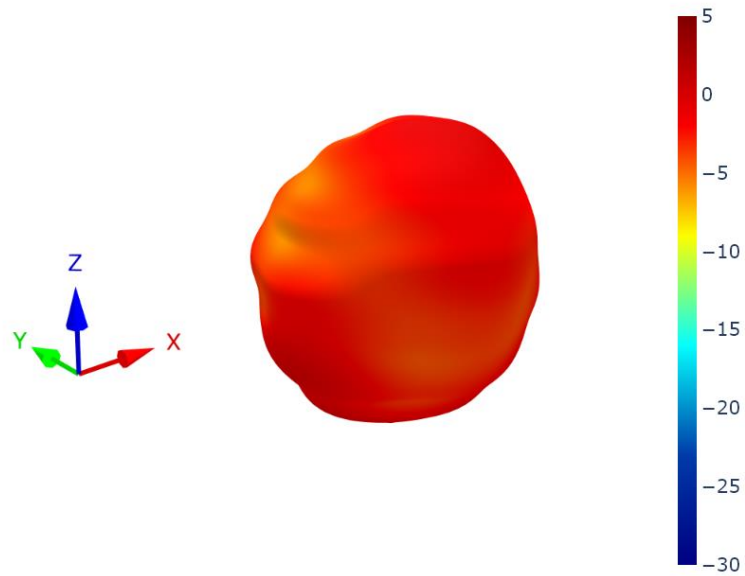
4.1 Test Setup



4.2 FXP895.07.0200C Patterns at 868 MHz



4.3 FXP895.07.0200C Patterns at 915 MHz



5. Mechanical Drawing

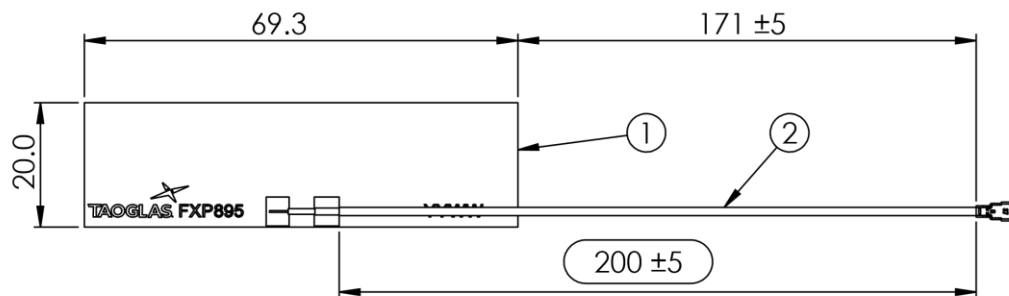
ISO NO.: EDW.000034

STATE: Release

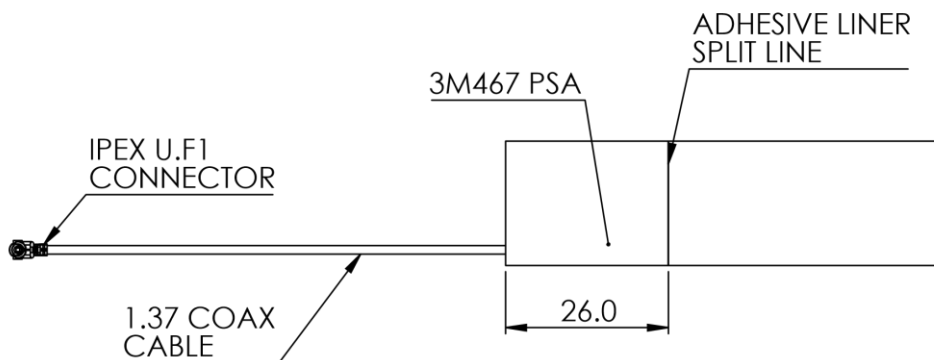
NOTES:

1. All material must be RoHS compliant.
2. The connector orientation has a fixed position to the antenna as per drawing.
3. Critical dimensions are marked with an inspection symbol \square .

REV	ZONE	DESCRIPTION	ENG	APPROVED	DATE
D01	All	Initial design	Z. Walji	P. Frank	08/03/2023



OVERALL THICKNESS WITH ADHESIVE LINER 1.6



ITEM NO.	PART NUMBER	DESCRIPTION	QTY.
1	PCB.000006	FXP895 FPCB 69.3x20mm	1
2	ASY.000019	Ipex.MHF1(U.FL) to Stripped 3.9/4.3/3.2 200mmlg 1.37 Cable Assembly	1

APPROVED BY: P. Frank	 <small>TW Design Centre</small> This drawing and its inherent design concepts are property of Taoglas. Not to be copied or given to third parties without the written consent of Taoglas.
CHECK BY: G. Samson	
DRAWN BY: Z. Walji	
DATE: 8/3/2023	
<small>UNLESS OTHERWISE SPECIFIED TOLERANCES ON:</small> XX ±0.5 X ±0.3 X ±0.2 XX ±0.1 XXX ±0.05	TITLE : 860-928 MHz Flex PCB Antenna with 200mm 1.37 I-PEX MHF1(U.FL) PART NO. : FXP895.07.0200C
THIRD ANGLE PROJECTION	UNIT: mm SCALE: 1:1 PAGES: 1/1 REV: D01

6. Packaging

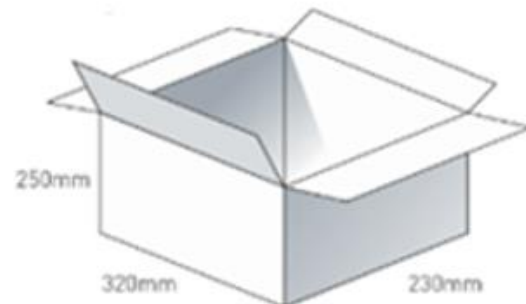
100pcs FXP895.07.0200C per PE Bag
 Dimensions 300*100mm
 Weight – 150g



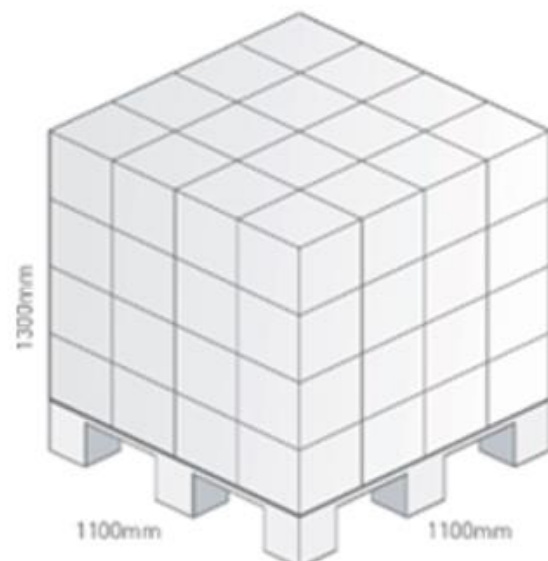
1000pcs FXP895.07.0200C per Large PE Bag
 Dimensions 450*280mm
 Weight – 1.5Kg



5000pcs FXP895.07.0200C per carton
 Dimensions 320*250*230mm
 Weight – 6Kg



Pallet Dimensions 1100*1100*1300mm
 65 Cartons per pallet
 13 Cartons per layer
 5 Layers



Changelog for the datasheet

SPE-24-8-015 – FXP895.07.0200C

Revision: A (Original First Release)	
Date:	2024-01-19
Notes:	First Release
Author:	Gary West

Previous Revisions



www.taoglas.com

