

UMK-FE - Foot element



2970031

<https://www.phoenixcontact.com/in/products/2970031>

Please be informed that the data shown in this PDF document is generated from our online catalog. Please find the complete data in the user documentation. Our general terms of use for downloads are valid.

Foot element, for mounting on DIN rail NS 32 or DIN rail NS 35/7.5, can be inserted between base and side element



Commercial data

Item number	2970031
Packing unit	10 pc
Minimum order quantity	10 pc
Sales key	ACH
Product key	ACHDCA
Catalog page	Page 760 (C-1-2013)
GTIN	4017918087562
Weight per piece (including packing)	5.93 g
Weight per piece (excluding packing)	5.855 g
Customs tariff number	39269097
Country of origin	PL

UMK-FE - Foot element



2970031

<https://www.phoenixcontact.com/in/products/2970031>

Technical data

Product properties

Product type	Base latches
Housing type	Press-drawn section housings
Housing series	UMK
Product family	UMK

Material specifications

Housing material	Polyamide
Surface characteristics	untreated

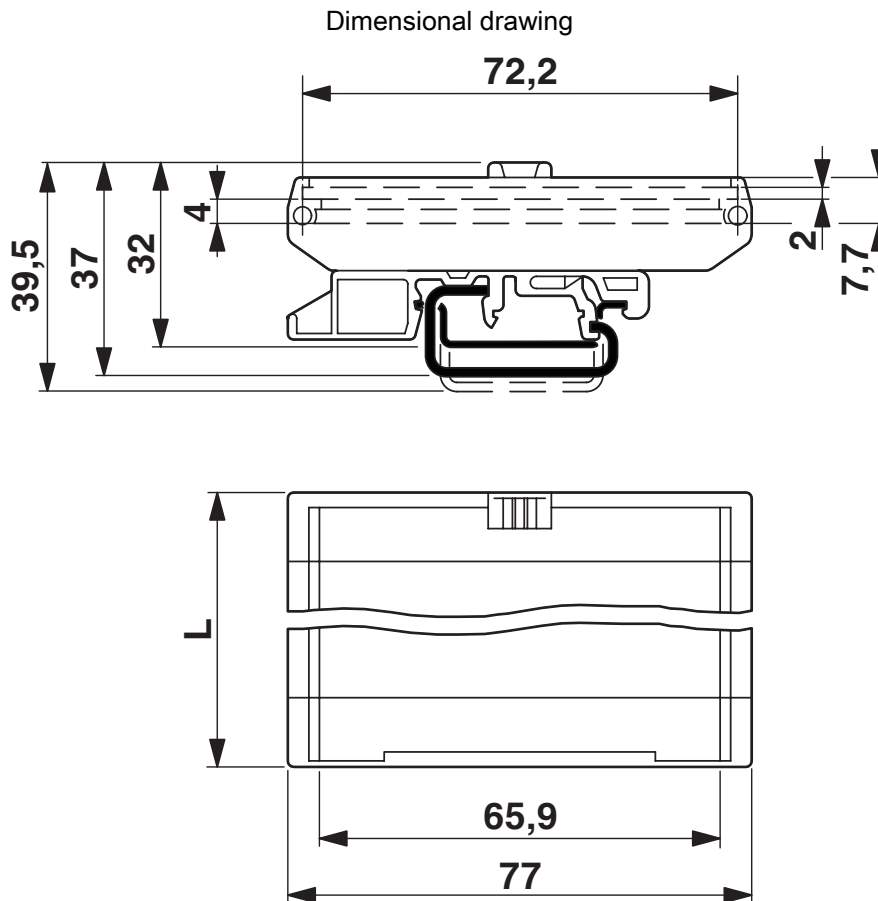
UMK-FE - Foot element

2970031

<https://www.phoenixcontact.com/in/products/2970031>



Drawings



UMK-FE - Foot element



2970031

<https://www.phoenixcontact.com/in/products/2970031>

Approvals

To download certificates, visit the product detail page: <https://www.phoenixcontact.com/in/products/2970031>



UL Recognized

Approval ID: FILE E 240868

UMK-FE - Foot element



2970031

<https://www.phoenixcontact.com/in/products/2970031>

Classifications

ECLASS

ECLASS-11.0	27182701
ECLASS-13.0	27190605

ETIM

ETIM 8.0	EC002779
----------	----------

UNSPSC

UNSPSC 21.0	31261500
-------------	----------

UMK-FE - Foot element



2970031

<https://www.phoenixcontact.com/in/products/2970031>

Environmental product compliance

EU RoHS

Fulfills EU RoHS substance requirements	Yes, No exemptions
---	--------------------

China RoHS

Environment friendly use period (EFUP)	EFUP-E
	No hazardous substances above the limits

EU REACH SVHC

REACH candidate substance (CAS No.)	No substance above 0.1 wt%
-------------------------------------	----------------------------

Phoenix Contact 2024 © - all rights reserved
<https://www.phoenixcontact.com>

PHOENIX CONTACT (I) Pvt. Ltd.
A-58/2, Okhla Industrial Area, Phase - II, New Delhi-110 020

+91.1275.71420
info@phoenixcontact.co.in