

# Computer Cable

## SCSI-II, DSub Mini H/D Plug to Centronics Plug

pro-SIGNAL

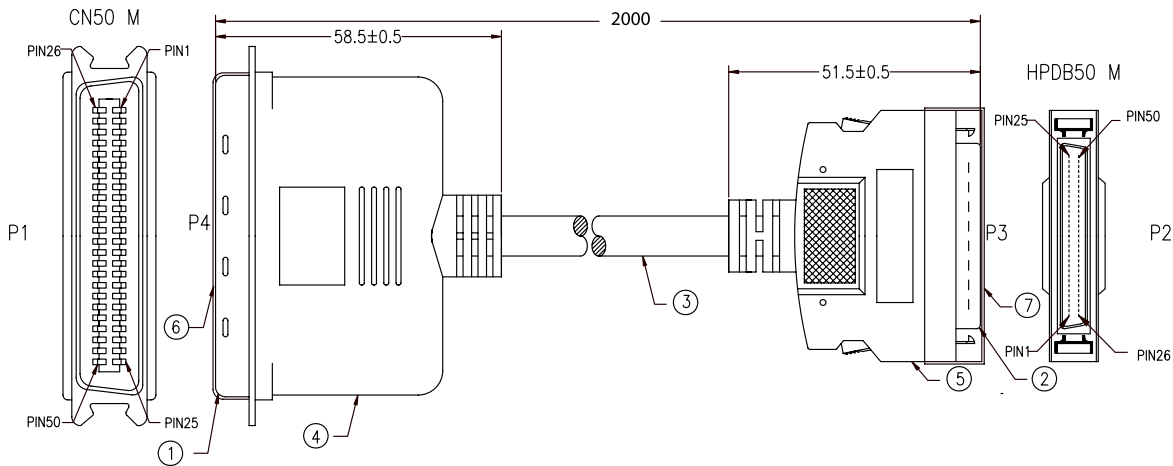
RoHS  
Compliant



### Specifications

Connector Type A	: D Subminiature H/D Plug, 50 Way
Connector Type B	: IEEE 1284 C36M, Centronics Plug, 50 Way
Cable Assembly Type	: Computer Cables
Jacket Colour	: Beige
Cable Length	: 2m (6.6ft)

### Diagram



No.	Description	Qty.
1	CN50 Male, Gold Flash On Contacts, Blue Insulator	1
2	HPDB50 Male With Latch, Gold Flash On Contacts, Black Insulator (0.62)	1 Set
3	UL2919 25 Twisted Pairs 28AWG, Alum-Mylar Foil and Copper Braid Shielding with Drain Wire, 4OD 8.2mm, Jacket Beige	2000 +20mm
4	Black PVC Tube Ø3×42mm	1
	Copper Foil 38×150mm	1
	Molded PE Colour Transparent	-
	Molded PVC Beige	-
5	Copper Foil 33×110mm	1
	Molded PE Colour Transparent	-
	Molded PVC Beige	-
6	Hood Colour PVC Transparent	-
7	Hood Colour PVC Transparent	-

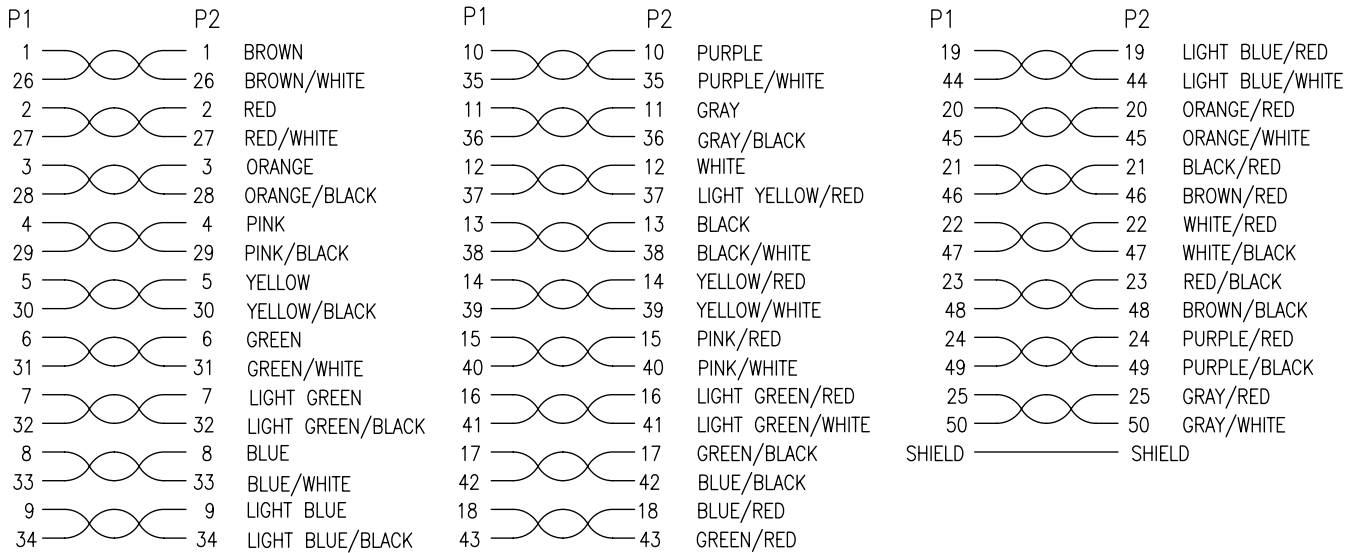
Dimensions : Millimetres

Newark.com/exclusive-brands  
Farnell.com/exclusive-brands  
Element14.com/exclusive-brands

pro-SIGNAL

# Computer Cable

## SCSI-II, DSub Mini H/D Plug to Centronics Plug



### Part Number Table

Description	Part Number
Computer Cable, SCSI-II, DSub Mini H/D Plug to Centronics Plug, 2m, Beige	SS110

**Important Notice :** This data sheet and its contents (the "Information") belong to the members of the AVNET group of companies (the "Group") or are licensed to it. No licence is granted for the use of it other than for information purposes in connection with the products to which it relates. No licence of any intellectual property rights is granted. The Information is subject to change without notice and replaces all data sheets previously supplied. The Information supplied is believed to be accurate but the Group assumes no responsibility for its accuracy or completeness, any error in or omission from it or for any use made of it. Users of this data sheet should check for themselves the Information and the suitability of the products for their purpose and not make any assumptions based on information included or omitted. Liability for loss or damage resulting from any reliance on the Information or use of it (including liability resulting from negligence or where the Group was aware of the possibility of such loss or damage arising) is excluded. This will not operate to limit or restrict the Group's liability for death or personal injury resulting from its negligence. pro-SIGNAL is the registered trademark of Premier Farnell Limited 2019.

Newark.com/exclusive-brands  
 Farnell.com/exclusive-brands  
 Element14.com/exclusive-brands

