

# High Frequency Ferrite Beads – SK 0402 Series



## AFBC-SK0402 Series

Request Samples



Check Inventory



1.0 x 0.5 x 0.5 mm  
RoHS/RoHS II Compliant  
MSL Level = 1

### Features

- Internal silver lithographic layers
- EMI suppression at High Frequencies
- Monolithic inorganic material construction
- DC resistance as low as 0.90Ω
- Magnetically shielded

### Applications

- Electronic control Units (ECUs)
- RF transceiver modules
- Antennas
- Infotainment system
- ADAS
- Industrial connectivity (IIoT)

### Electrical Specifications

Part Number	Impedance (Typical)	DC Resistance	Rated Current
Units	Ω ± 25%	Ω Max.	mA Max.
Symbol	Z	R <sub>DC</sub>	I <sub>R</sub>
AFBC-SK0402-102	1000	0.900	230

### Test Conditions and Equipment

Z Test Frequency: 100MHz

DCR: High Accuracy LCR Meter – HP4263A

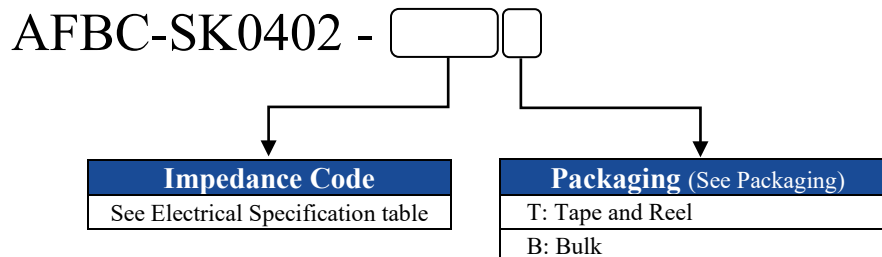
IR: Rated current applied when the chip surface temperature rise just 20°C against ambient temperature.

**Operating Temperature:** -40°C to +85°C (Including Self-Temperature rise)

**Storage Temperature:** -10°C to +40°C and RH 60% (Max).

AFBC-SK0402 Series is **RoHS Compliant and Pb free**

### Part Identification



5101 Hidden Creek Ln, Spicewood TX 78669  
Phone: 512-371-6159 Fax: 512-351-8858  
For terms and conditions of sales, please visit:  
www.abracon.com

**REVISION Initial Release :**  
6/28/2024

ABRACON IS  
ISO9001-2015  
CERTIFIED

# High Frequency Ferrite Beads – SK 0402 Series



AFBC-SK0402 Series

Request Samples



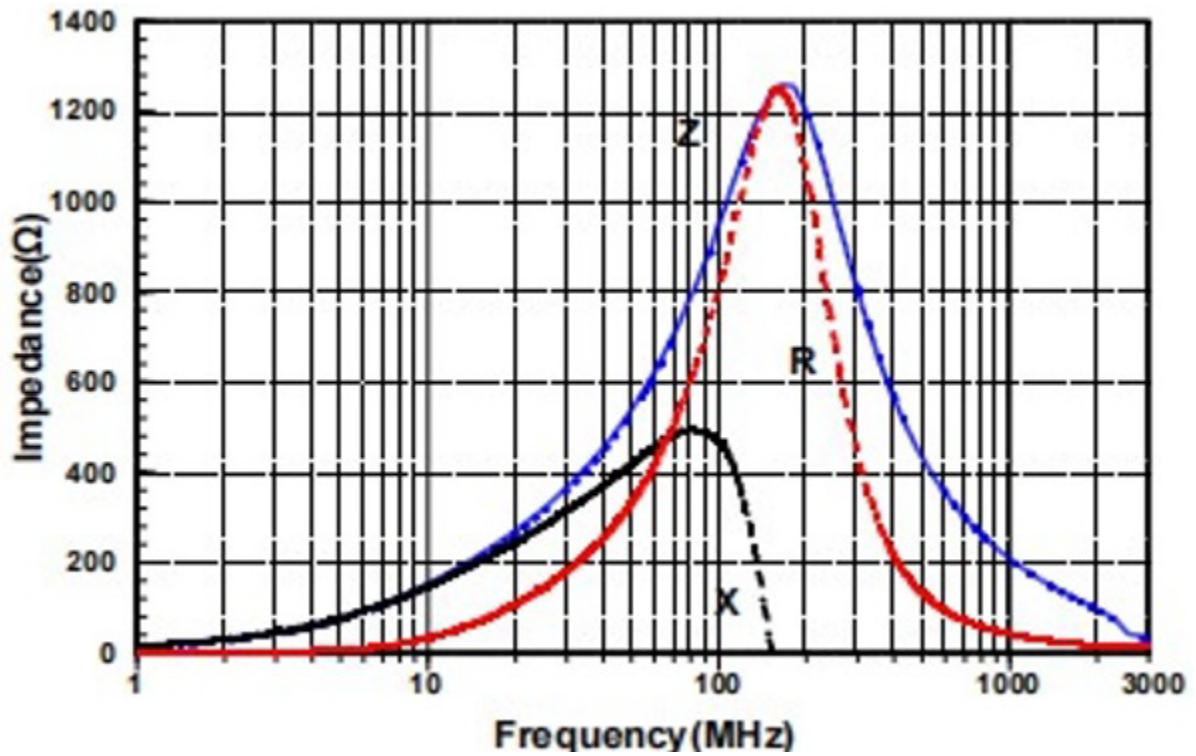
Check Inventory



1.0 x 0.5 x 0.5 mm  
RoHS/RoHS II Compliant  
MSL Level = 1

## Performance Graphs

AFBC-SK0402-102



# High Frequency Ferrite Beads – SK 0402 Series



AFBC-SK0402 Series

Request Samples

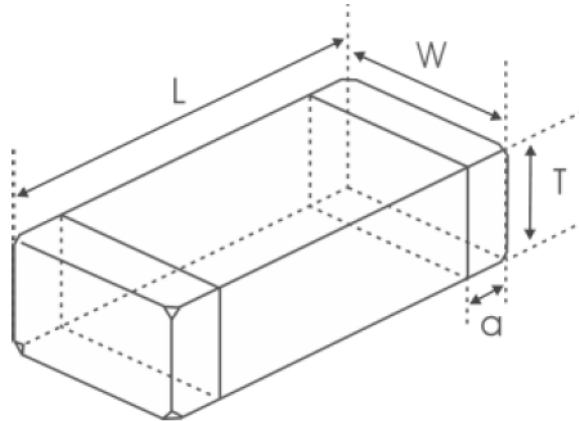


Check Inventory

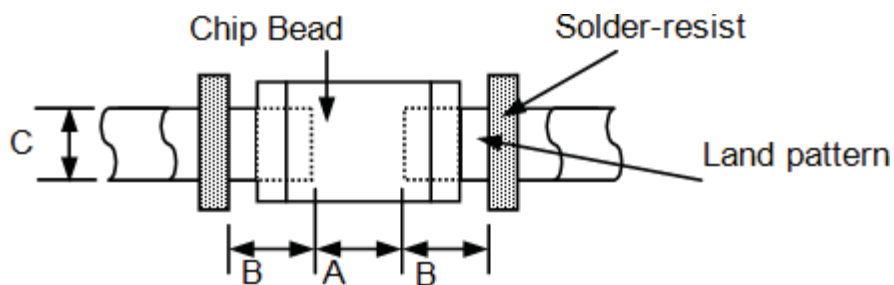


1.0 x 0.5 x 0.5 mm  
 RoHS/RoHS II Compliant  
 MSL Level = 1

## Mechanical Specifications



L	W	T	a
1.00±0.10	0.50±0.10	0.50±0.10	0.25±0.10



A	B	C
0.45 ~ 0.55	0.40 ~ 0.50	0.45 ~ 0.55

Dimensions: mm

# High Frequency Ferrite Beads – SK 0402 Series



AFBC-SK0402 Series

Request Samples

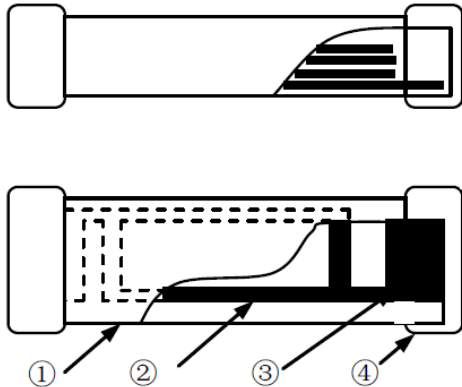


Check Inventory



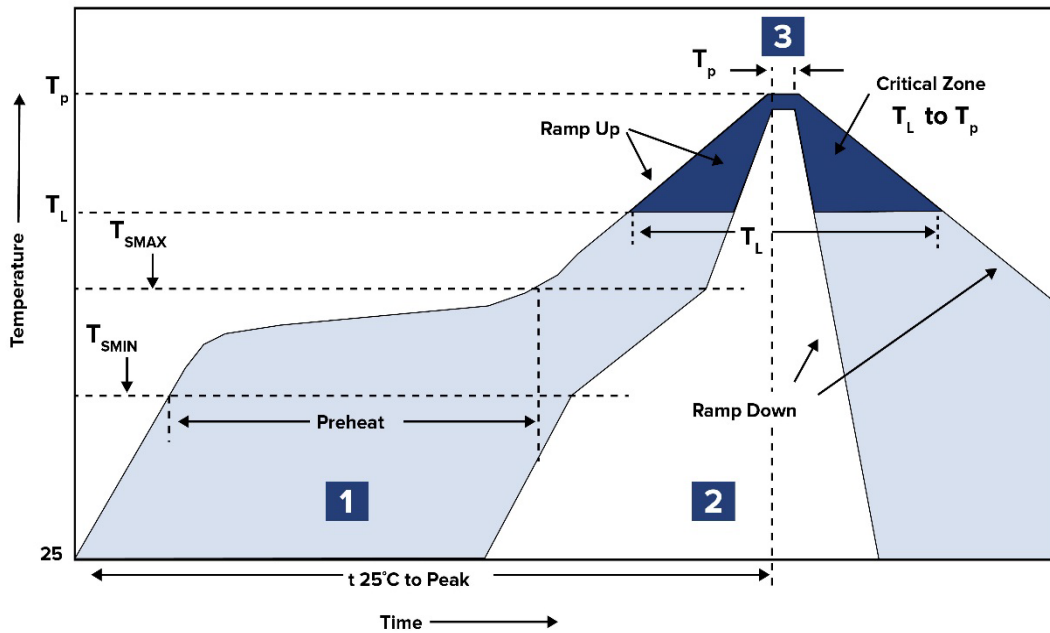
1.0 x 0.5 x 0.5 mm  
RoHS/RoHS II Compliant  
MSL Level = 1

## Materials



	Part Name	Material
1	Base Material	Ceramic powder
2	Internal Conductor	Ag paste
3	Terminal Electrode	Ag
4	Electrode Plating	Ni-Sn

## Reflow Profile



Zone	Description	Temperature	Times
1	Preheat	$T_{SMIN} \sim T_{SMAX}$ 150°C ~ 200°C	60 ~ 120 sec.
2	Reflow	$T_L$ 217°C	90 ~ 90 sec.
3	Peak heat	$T_P$ 260°C ±5°C	10 sec. MAX



5101 Hidden Creek Ln, Spicewood TX 78669  
Phone: 512-371-6159 Fax: 512-351-8858  
For terms and conditions of sales, please visit:  
[www.abracon.com](http://www.abracon.com)

REVISION Initial Release :  
6/28/2024

ABRACON IS  
ISO9001-2015  
CERTIFIED

# High Frequency Ferrite Beads – SK 0402 Series



**AFBC-SK0402 Series**

Request Samples



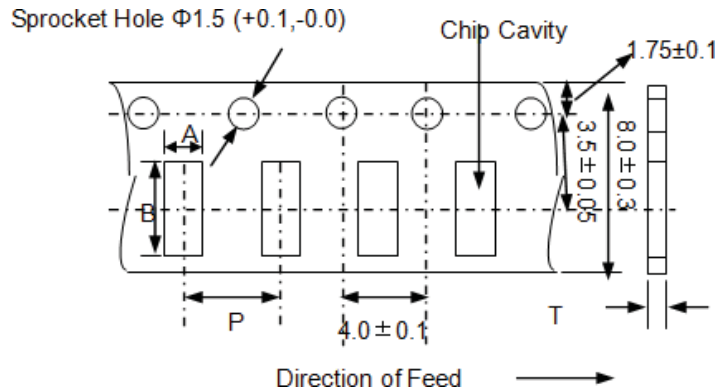
Check Inventory



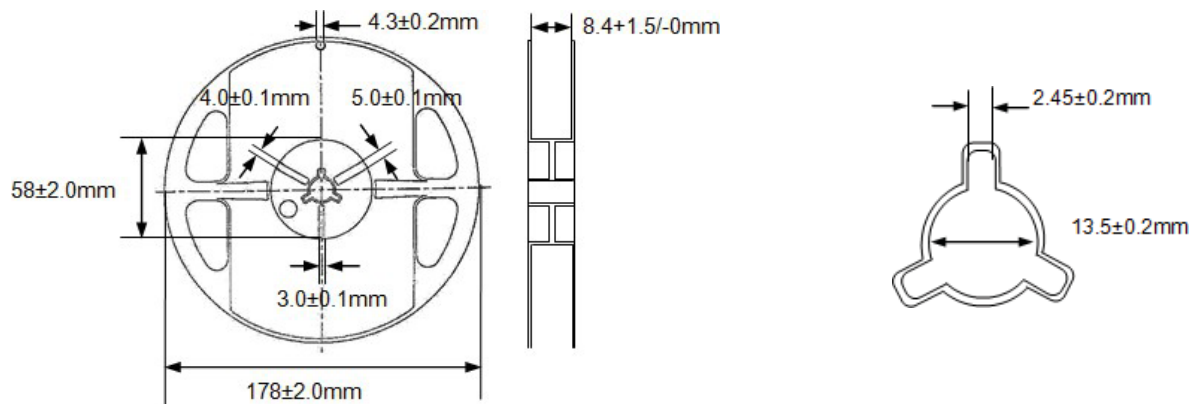
**1.0 x 0.5 x 0.5 mm**  
**RoHS/RoHS II Compliant**  
**MSL Level = 1**

## Packaging

**Tape & Reel: 10K pcs/reel**



Series	A	B	P	T max
AFBC-SK0402 Series	$0.65 \pm 0.1$	$1.15 \pm 0.1$	$2.0 \pm 0.05$	0.8



Dimensions: mm

**ATTENTION:** Abracon LLC's products are Commercial-Off-The-Shelf (COTS), which are designed, intended and validated for use in commercial, industrial and automotive applications. The customer is responsible for testing and verifying the performance of an Abracon solution to meet their system-level requirements.



5101 Hidden Creek Ln, Spicewood TX 78669  
 Phone: 512-371-6159 Fax: 512-351-8858  
 For terms and conditions of sales, please visit:  
[www.abracon.com](http://www.abracon.com)

**REVISION Initial Release :**  
**6/28/2024**

ABRACON IS  
 ISO9001-2015  
 CERTIFIED