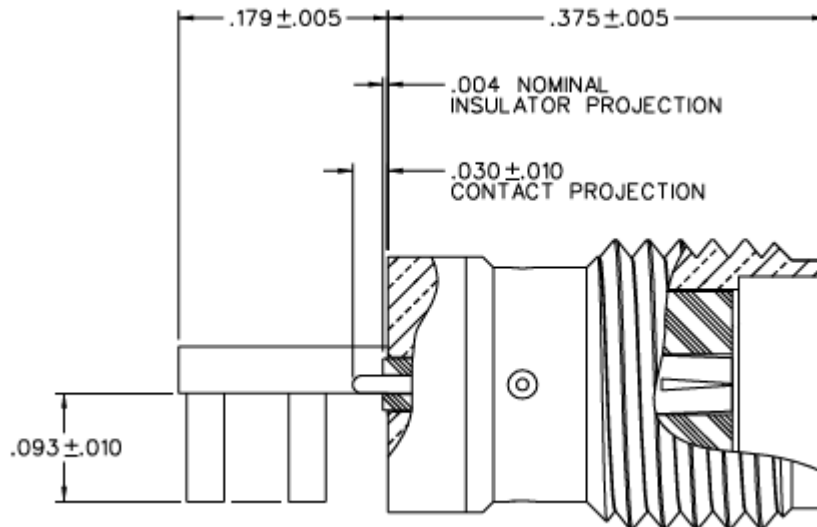
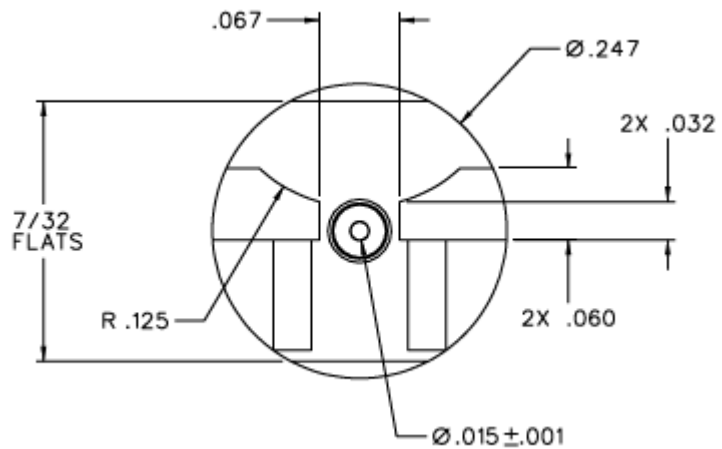
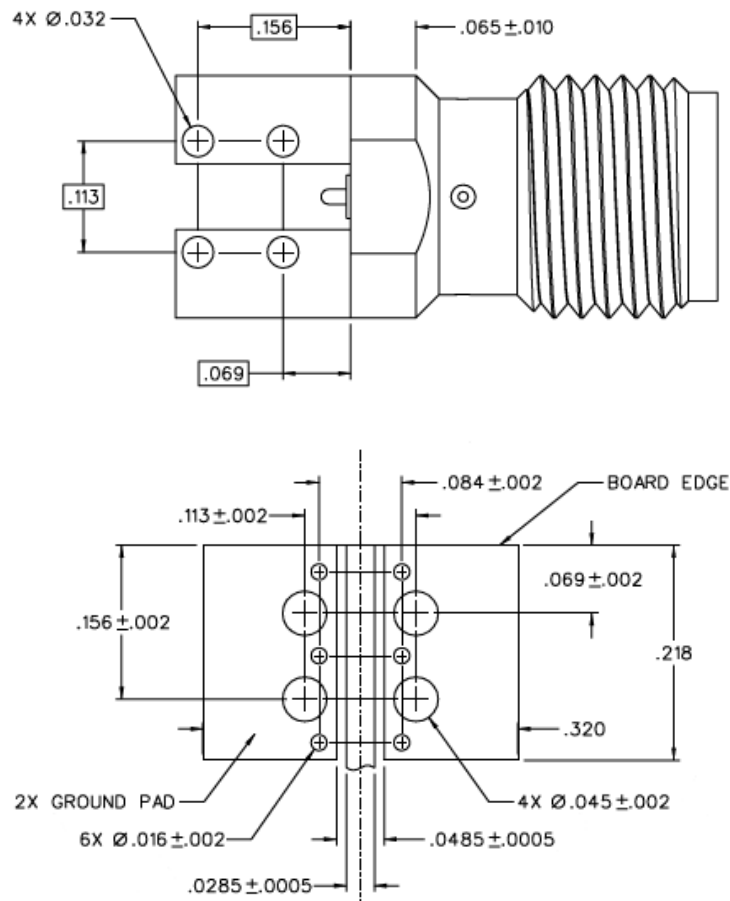


BU-1420761821

(High Freq End Launch SMA Jack Assembly, PC Mount, 15 Mil Pin)





(Dimensions in Inches)

- Low VSWR Board edge, end launch mounting
- Designed to mount on .062" (1.57mm) Circuit Boards.
- Impedance: 50 Ω
- Insulation Resistance: 1000 M Ω
- Frequency: DC to 26.5 GHz.
- VSWR: 1.05 @ 18 GHz. With LMR-100 cable
- Working Voltage: 170 VRMS Max
- Dielectric Withstand: 500 VRMS
- Contact Resistance: 3 milliohms
- Insertion Loss: .18 dB Maximum
- Mating Cycles: 500 Minimum
- Meets or exceeds the applicable paragraph of MIL-PRF-39012
- Operating Temperature: -65°C to 165°C
- RoHS 3 Compliant