



Mallory Sonalert Products, Inc.

Part #: **FL1P-6XW-1
6mm Panel Light**

Sales Outline Drawing

Revision: **A**

May not be suitable for all Medical and Aerospace applications.

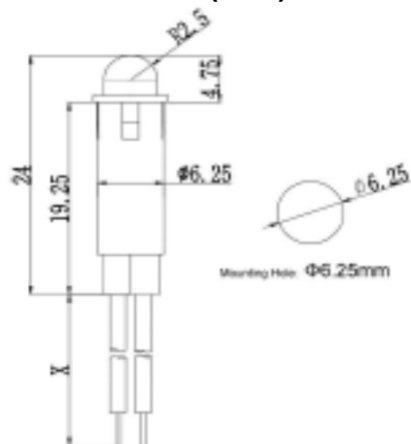
Contact Mallory Sonalert to discuss your application.

Specifications:

Panel Hole	6.25 mm
Voltage Type	DC or AC (see table below)
LED Color Available	Red, Green, Blue, Yellow, or White
Lens Color	Same as LED
Rated Voltage Available	See table below
Max Current Draw	20 mA
Storage & Operating Temperature	-15 °C to +80 °C
Ingress Protection Rating	IP50
LED Life	60,000 hours
Weight (Typical)	3.5 g
Housing Material	PA66
Termination Type	Wires
Wire Specification	7.3" (185 mm) PVC AWG22
Panel Thickness	0.04-0.12" (1-3mm)

RoHS Compliant

Dimensions (mm):



Part Number:

FL1P-6XW-1-X#V

B=Blue
G=Green
R=Red
Y=Yellow
W=White

Rated Voltage

Lead color may vary

Length for reference only.

	Light Intensity	Dominant Wavelength	Viewing Angle
Red	1000 -1500 mcd	622 nm	35°
Green	8000 -10000 mcd	522 nm	60°
Yellow	1000 -1500 mcd	590 nm	35°
Blue	2000 - 3000 mcd	464 nm	35°

Rated Voltage	2 VAC/DC	3 VAC/DC	6 VAC/DC	12 VAC/DC	24 VAC/DC	48 VAC/DC	110 VAC/DC	220 VAC/DC	380 VAC/DC
Red	1.8-2.2V	2.7-3.3V	5.4-6.6V	10.8-13.2V	21.6-26.4V	43.2-52.8V	99-121V	198-242V	342-418V
Green	N/A	3-3.2V	5.4-6.6V	10.8-13.2V	21.6-26.4V	43.2-52.8V	99-121V	198-242V	342-418V
Blue	N/A	3.12-3.2V	5.4-6.6V	10.8-13.2V	21.6-26.4V	43.2-52.8V	99-121V	198-242V	342-418V
Yellow	2-2.2V	2.7-3.3V	5.4-6.6V	10.8-13.2V	21.6-26.4V	43.2-52.8V	99-121V	198-242V	342-418V
White	N/A	3-3.2V	5.4-6.6V	10.8-13.2V	21.6-26.4V	43.2-52.8V	99-121V	198-242V	342-418V