



624 SERIES

12mm Heavy Duty Tri-Color Panel Mount Indicators

MECHANICAL / SPECIFICATIONS

MOUNTING HOLE SIZE:
.492" (12.5mm)

MAX PANEL THICKNESS:
.197" (5mm)

MOUNTING TORQUE:
7.01 lbs-ft (9.5 Nm)

OPERATING VOLTAGE:
3VDC, 12VDC, 24VDC

OPERATING TEMP:
-40°C - 70°C (-40°F - 158°F)

STORAGE TEMP:
-40°C - 70°C (-40°F - 158°F)

ELECTRICAL CONNECTION:
26AWG UL1007 rated wire or terminals
Common cathode

HOUSING:
Stainless steel

TERMINALS:
Gold plated Brass Terminals
accept 20-26AWG wire

NUTS:
Stainless steel

CERTIFICATIONS & RATINGS

RoHS compliant
IP67
IK10

FEATURES & BENEFITS

- RoHS Compliant
- IP67 rating
- IK10 rating
- RGB or RGY options
- High brightness level for increasing visibility

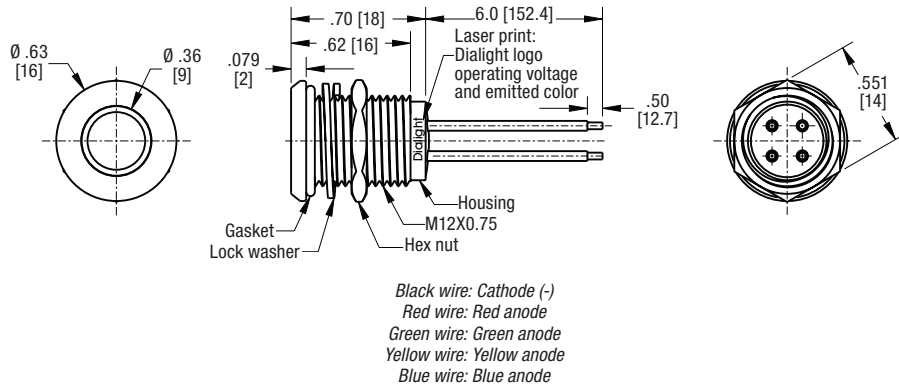
APPLICATION

The 624 Series Heavy Duty LED Panel Mount Indicators are elegantly designed for a high-end aesthetic paired with sturdy construction. These indicators are nonmagnetic, corrosion resistant for both indoor and outdoor use, and secured to prevent dirt, dust, and water penetration. Ideal for a variety of applications such as:

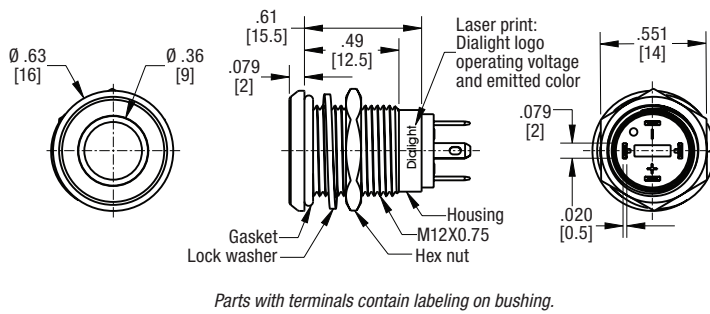
- Main power indication
 - Remote power indication
 - Status indication
 - Maintenance and warning indication
 - Instrumentation
- ... and many more!

DIMENSIONS inches [mm]

WIRES



TERMINALS



ORDERING INFORMATION

Part Number Wires	Part Number Terminals	Color	Voltage (VDC)	Lens	Current (mA)	Typical Intensity (mcd)
624-1121-317F	624-1121-314F	● Red ● Green ● Blue	3V	Transparent, Flat	15mA	3500
624-1123-317F	624-1123-314F		12V			5000
624-1124-317F	624-1124-314F		24V			1000
624-1141-317F	624-1141-314F	● Red ● Green ● Yellow	3V			3000
624-1143-317F	624-1143-314F		12V			2500
624-1144-317F	624-1144-314F		24V			3000



Dialight reserves the right to make changes at any time in order to supply the best product possible. The most current version of this document will always be available at: www.dialightsignalsandcomponents.com

Warranty Statement: Except for the warranty expressly provided for at: www.dialight.com/resources/warranties/, Dialight disclaims any and all other warranties, express or implied, including, without limitation, any warranties of merchantability, fitness for a particular purpose, title, and noninfringement.