

## 620 SERIES

# 8mm Heavy Duty Bi- and Tri-Color Panel Mount Indicators

### MECHANICAL / SPECIFICATIONS

MOUNTING HOLE SIZE:  
.323" (8.2mm)

MAX PANEL THICKNESS:  
.197" (5mm)

MOUNTING TORQUE:  
7.01 lbs-ft (9.5 Nm)

OPERATING VOLTAGE:  
3VDC, 12VDC, 24VDC

OPERATING TEMP:  
-40°C-70° (-40°F-158°F)

STORAGE TEMP:  
-40°C-70° (-40°F-158°F)

ELECTRICAL CONNECTION:  
26AWG UL 1007 wire leads  
Common cathode

HOUSING:  
Stainless steel

NUTS:  
Stainless steel

### CERTIFICATIONS & RATINGS

RoHS compliant  
IP67  
IK10

### FEATURES & BENEFITS

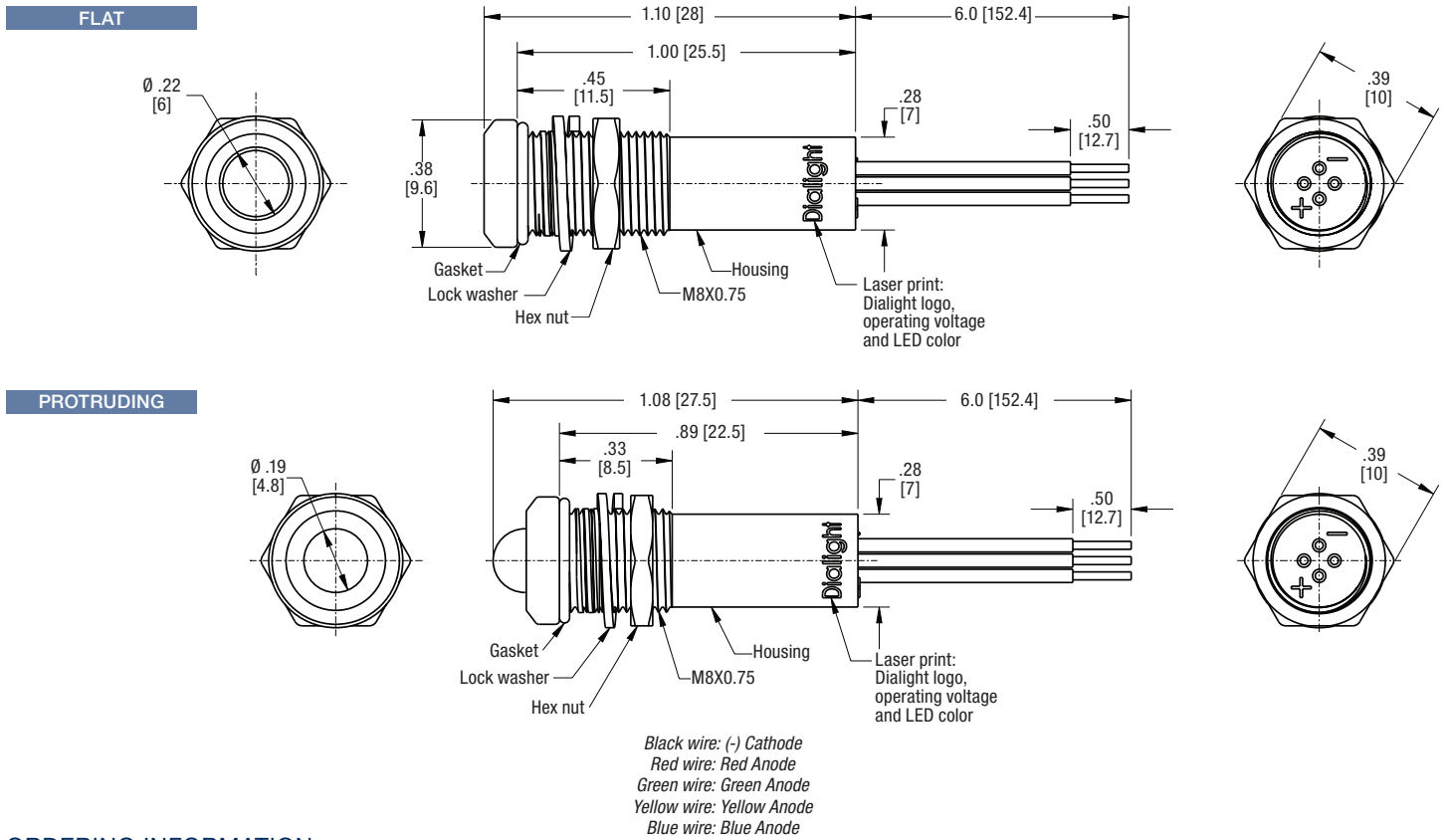
- RoHS Compliant
- IP67 rating
- IK10 rating
- Bi-color and tri-color options
- High brightness level for increasing visibility

### APPLICATION

The 620 Series Heavy Duty LED Panel Mount Indicators are elegantly designed for a high-end aesthetic paired with sturdy construction. These indicators are non-magnetic, corrosion resistant for both indoor and outdoor use, and secured to prevent dirt, dust, and water penetration. Ideal for a variety of applications such as:

- Main power indication
  - Remote power indication
  - Status indication
  - Maintenance and warning indication
  - Instrumentation
- ... and many more!

DIMENSIONS inches [mm]



ORDERING INFORMATION

Part Number	Color	Voltage (VDC)	Lens	Current (mA)	Typical Intensity (mcd)
<a href="#">620-1141-317F</a>	Tri-Color ● Red ● Green ● Yellow	3V	Transparent, Flat	15mA	1200
<a href="#">620-1143-317F</a>		12V			2500
<a href="#">620-1144-317F</a>		24V			800
<a href="#">620-1121-317F</a>	Tri-Color ● Red ● Green ● Blue	3V			1000
<a href="#">620-1123-317F</a>		12V			1500
<a href="#">620-1124-317F</a>		24V			700
<a href="#">620-1141-117F</a>	Tri-Color ● Red ● Green ● Yellow	3V	Transparent, Protruding	15mA	5000
<a href="#">620-1143-117F</a>		12V			3000
<a href="#">620-1144-117F</a>		24V			6500
<a href="#">620-1121-117F</a>	Tri-Color ● Red ● Green ● Blue	3V			5000
<a href="#">620-1123-117F</a>		12V			4000
<a href="#">620-1124-117F</a>		24V			2000
<a href="#">620-1111-317F</a>	Bi-Color ● Red ● Green	3V	Transparent, Flat	15mA	1000
<a href="#">620-1113-317F</a>		12V			1500
<a href="#">620-1114-317F</a>		24V			
<a href="#">620-1111-117F</a>	Bi-Color ● Red ● Green	3V	Transparent, Protruding	15mA	1000
<a href="#">620-1113-117F</a>		12V			1500
<a href="#">620-1114-117F</a>		24V			



Dialight reserves the right to make changes at any time in order to supply the best product possible. The most current version of this document will always be available at: [www.dialightsignalsandcomponents.com](http://www.dialightsignalsandcomponents.com)

Warranty Statement: Except for the warranty expressly provided for at: [www.dialight.com/resources/warranties/](http://www.dialight.com/resources/warranties/), Dialight disclaims any and all other warranties, express or implied, including, without limitation, any warranties of merchantability, fitness for a particular purpose, title, and noninfringement.