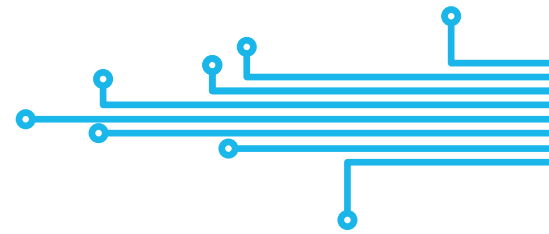




SGX

SENSORTECH

An Amphenol Company



SGX-AOX

Oxygen sensor (0-100%) Datasheet

Fast response | Sensor with on board temperature compensation | For ventilators

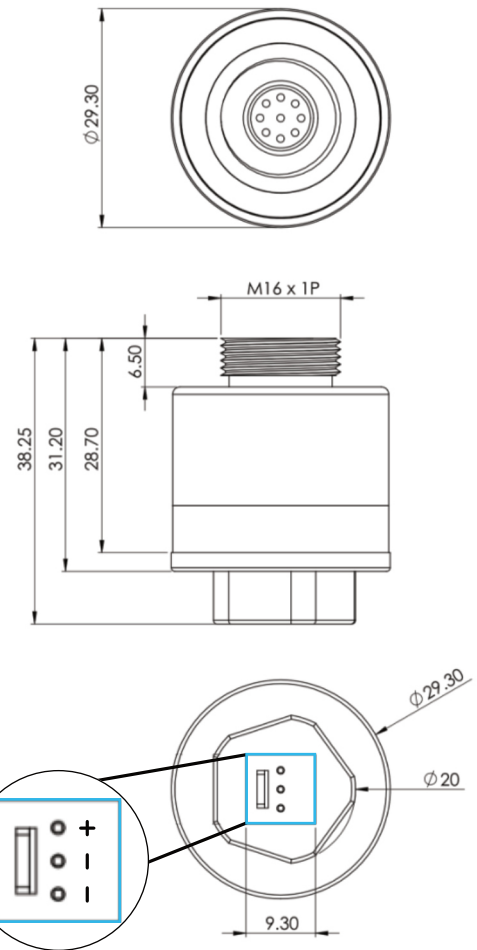


Quality, Safety, Responsibility

SGX-AOX

OUTLINE

All dimensions are in mm
All tolerances are ± 0.15 mm



Performance	
Output signal	8-13mV in Air @STP*
Zero current (offset)	<0.1% O ₂
T90 response time	< 5 seconds
T99.5 response time	<50 sec
Measurement Range	0-100% O ₂
Linearity	Linear
Temp. Compensation (0-40°C)	< 2% O ₂
Recommended Load Resistor	min 10k Ohms

* measured in standard temperature and pressure
(20°C, 50%RH and 1atm)

Operating Conditions

Temperature Range	-20°C to +50°C
Pressure Range	500 to 2000 mbar
Operating Humidity Range	0% to 99% RH (non condensing)

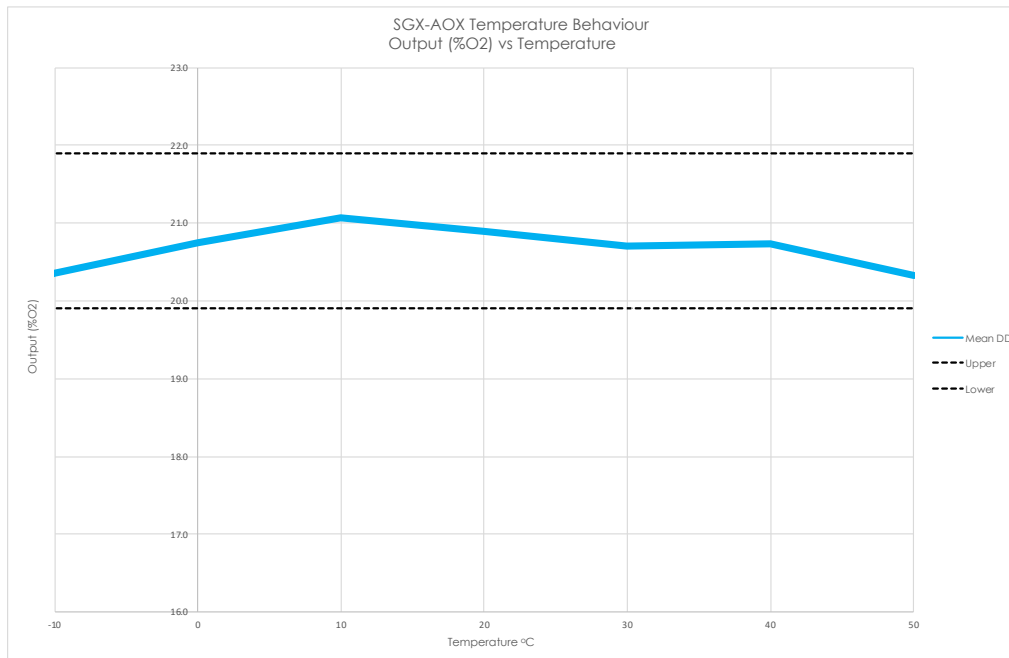
Lifetime

Long Term Output Drift	<5% per annum
Recommended Storage Temp	0°C to 20°C
Expected Operating Life	375000% O ₂ hrs at 20°C

Intrinsic Safety Data

Max current in normal operation (pure O ₂)	0.01 A
Max o/c Voltage (10 to 100% O ₂)	0.9 V
Max s/c Current (10 to 100% O ₂)	0.5 A

Cross Sensitivity



Cross Sensitivity

Toxic gases at TLV levels will have no cross-sensitivity effect on SGX-AOX oxygen sensors. At very high levels (i.e. percent levels), highly oxidising gases (e.g. ozone, chlorine) will interfere to the extent of their oxygen equivalent, but most other commonly occurring gases will have no effect.

Warning:

By the nature of the technology used, any electrochemical gas sensor offered by SGX Europe Sp. z o.o. can potentially fail to meet specification without warning. SGX Europe Sp. z o.o. makes every effort to ensure the reliability of our products of this type, where life safety is a performance requirement of the product, we recommend that all sensors and instruments using these sensors are checked for response to gas before use. SGX Europe Sp. z o.o. reserves the right to make product changes without notice. No liability is accepted for any consequential losses, injury or damage resulting from the use of this document or from any omissions or errors herein. The data is given for guidance only. It does not constitute a specification or an offer for sale. The products are always subject to a program of improvement and testing which may result in some changes in the characteristics quoted. As the products may be used by the client in circumstances beyond the knowledge and control of SGX Europe Sp. z o.o, we cannot give any warranty as to the relevance of these particulars to an application. It is the clients' responsibility to carry out the necessary tests to determine the usefulness of the products and to ensure their safety of operation in a particular application. Performance characteristics on this data sheet outline the performance of newly supplied sensors. Output signal can drift below the lower limit over.