

RoHS  
Compliant



MP012343

MP012344

MP012345

## Specifications

### Material:

Insulator	: Hi-Temp Thermoplastic, rated UL 94V-0
Housing	: PA, rated UL 94V-0
Centre Contacts	: Brass
Outer Contacts (Interface)	: SUS304, Matte Tin plated
Shell	: Zamak, Tin Plated

### Contact Plating:

Contact Area	: 6 $\mu$ " Gold Plated
Solder Tails Area	: 80 $\mu$ " - 160 $\mu$ " Matte Tin Plated
Underplate	: 80 $\mu$ " - 160 $\mu$ " Nickel underplate overall

### Electrical:

Working voltage	: $\leq 60$ V DC
Power Current	: $\leq 1$ A DC
Impedance	: 50 $\Omega$
Frequency	: DC to 9 GHz
Centre Contact Resistance	: $\leq 15$ m $\Omega$
Outer Contact Resistance	: $\leq 5$ m $\Omega$
Insulation Resistance	: $\geq 1 \times 10^3$ M $\Omega$
Dielectric withstanding Voltage	: 800 Vrms

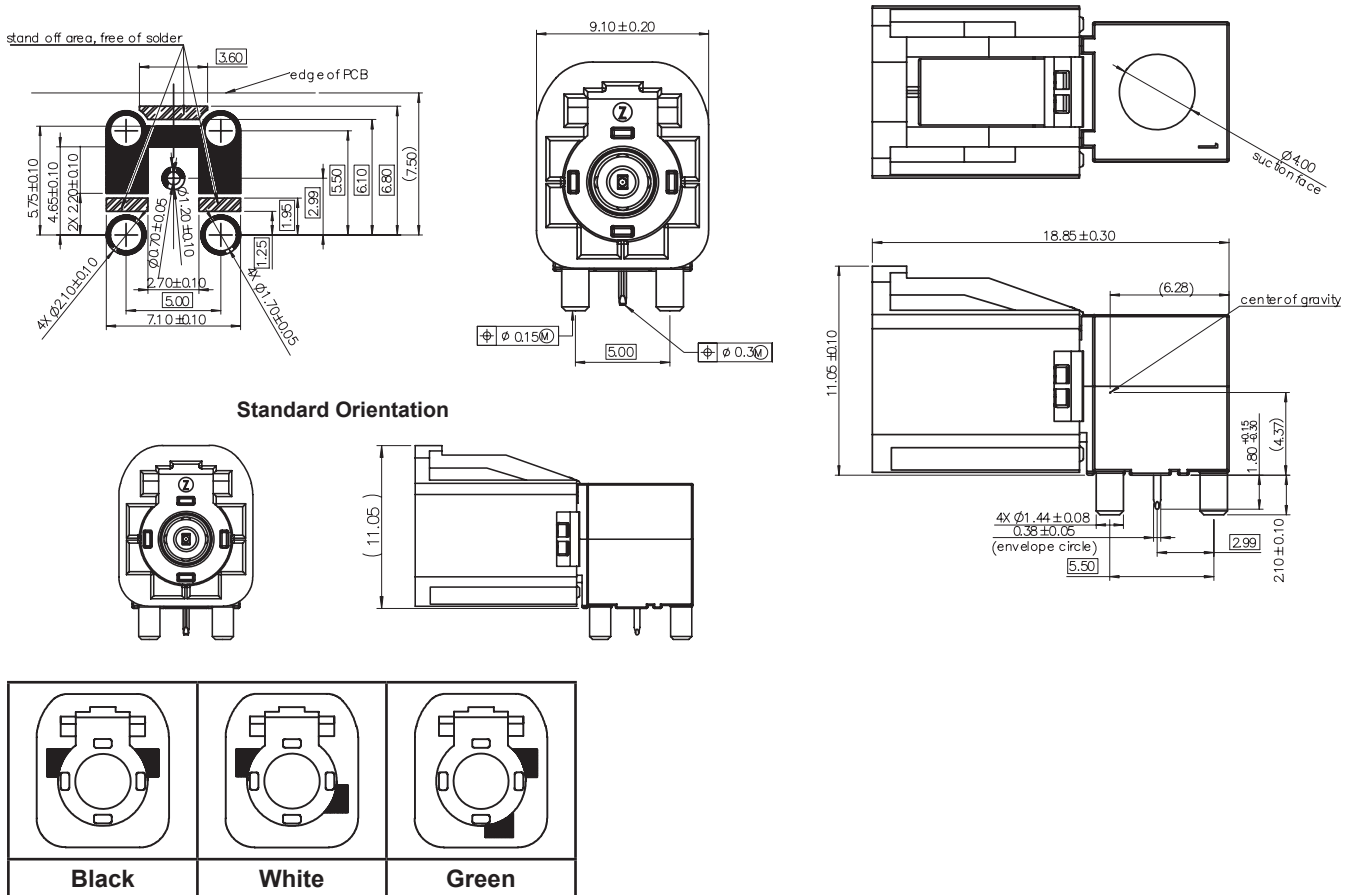
### Mechanical:

Mating Cycles	: $\geq 25$ Cycles
Engagement Force	: $\leq 15$ N
Disengagement Force	: $\geq 2$ N
Retention Force Latch	: $\geq 110$ N
Coding Efficiency	: $\geq 150$ N
Temperature Rating	: -40°C to 105°C

### Environmental:

Lead free

## Diagram



## Part Number Table

Description	Part Number
Mini FAKRA Coaxial, Right Angle Plug, Through Hole Right Angle, 50Ω, Black	MP012343
Mini FAKRA Coaxial, Right Angle Plug, Through Hole Right Angle, 50Ω, White	MP012344
Mini FAKRA Coaxial, Right Angle Plug, Through Hole Right Angle, 50Ω, Green	MP012345

Dimensions : Millimetres

**Important Notice :** This data sheet and its contents (the "Information") belong to the members of the AVNET group of companies (the "Group") or are licensed to it. No licence is granted for the use of it other than for information purposes in connection with the products to which it relates. No licence of any intellectual property rights is granted. The Information is subject to change without notice and replaces all data sheets previously supplied. The Information supplied is believed to be accurate but the Group assumes no responsibility for its accuracy or completeness, any error in or omission from it or for any use made of it. Users of this data sheet should check for themselves the Information and the suitability of the products for their purpose and not make any assumptions based on information included or omitted. Liability for loss or damage resulting from any reliance on the Information or use of it (including liability resulting from negligence or where the Group was aware of the possibility of such loss or damage arising) is excluded. This will not operate to limit or restrict the Group's liability for death or personal injury resulting from its negligence. Multicomp Pro is the registered trademark of Premier Farnell Limited 2019.

Newark.com/multicomp-pro  
 Farnell.com/multicomp-pro  
 sg.element14.com/b/multicomp-pro