

RoHS
Compliant



Specifications

Material:

| | |
|----------------------------|---|
| Insulator | : Hi-Temp Thermoplastic, rated UL 94V-0 |
| Centre Contacts | : Brass |
| Outer Contacts (Interface) | : Stainless Steel, Matte Tin plated |
| Shell | : Zamak, Tin Plated |

Contact Plating:

| | |
|-------------------|--|
| Contact Area | : 6 μ " Gold Plated |
| Solder Tails Area | : 80 μ " - 160 μ " Matte Tin Plated |
| Underplate | : 80 μ " - 160 μ " Nickel underplate overall |

Electrical:

| | |
|---------------------------------|-------------------------|
| Working voltage | : \leq 60V DC |
| Power Current | : \leq 1A DC |
| Impedance | : 50 Ω |
| Frequency | : DC to 9 GHz |
| Centre Contact Resistance | : \leq 15m Ω |
| Outer Contact Resistance | : \leq 7.5m Ω |
| Insulation Resistance | : \geq 1000M Ω |
| Dielectric withstanding Voltage | : 800 Vrms |

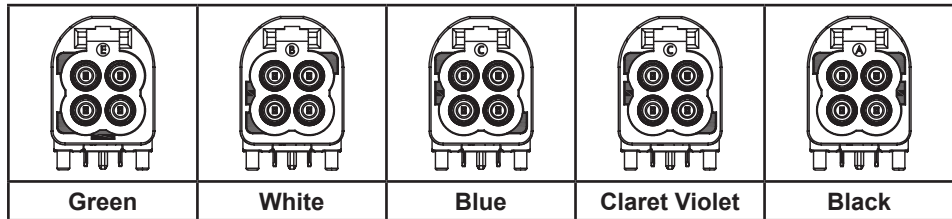
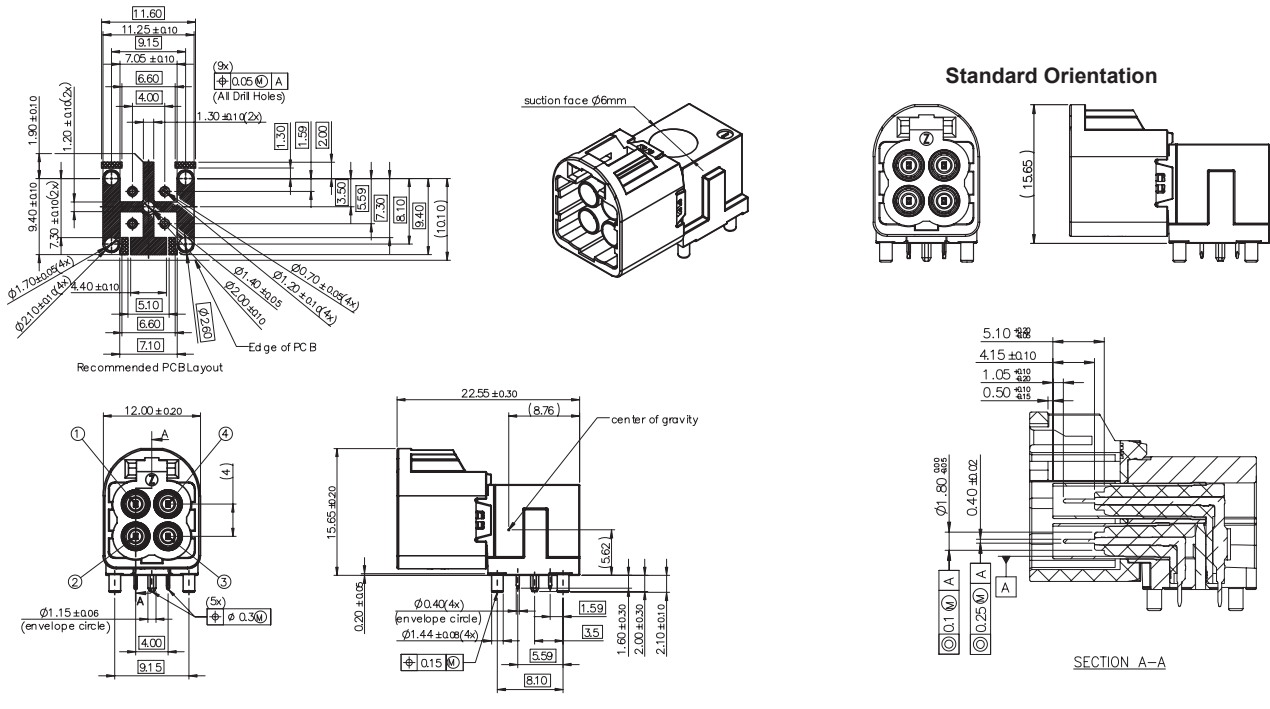
Mechanical:

| | |
|-----------------------|--------------------|
| Mating Cycles | : \geq 25 Cycles |
| Engagement Force | : \leq 45N |
| Disengagement Force | : \geq 5N |
| Retention Force Latch | : \geq 110N |
| Coding Efficiency | : \geq 150N |
| Temperature Rating | : -40°C to 105°C |

Environmental:

Lead free

Diagram



Dimensions : Millimetres

Part Number Table

| Description | Part Number |
|--|-------------|
| Mini FAKRA Coaxial, Right Angle Plug, Through Hole Right Angle, 50Ω, Green | MP012346 |
| Mini FAKRA Coaxial, Right Angle Plug, Through Hole Right Angle, 50Ω, White | MP012347 |
| Mini FAKRA Coaxial, Right Angle Plug, Through Hole Right Angle, 50Ω, Blue | MP012348 |
| Mini FAKRA Coaxial, Right Angle Plug, Through Hole Right Angle, 50Ω, Claret Violet | MP012349 |
| Mini FAKRA Coaxial, Right Angle Plug, Through Hole Right Angle, 50Ω, Black | MP012350 |

Important Notice : This data sheet and its contents (the "Information") belong to the members of the AVNET group of companies (the "Group") or are licensed to it. No licence is granted for the use of it other than for information purposes in connection with the products to which it relates. No licence of any intellectual property rights is granted. The Information is subject to change without notice and replaces all data sheets previously supplied. The Information supplied is believed to be accurate but the Group assumes no responsibility for its accuracy or completeness, any error in or omission from it or for any use made of it. Users of this data sheet should check for themselves the Information and the suitability of the products for their purpose and not make any assumptions based on information included or omitted. Liability for loss or damage resulting from any reliance on the Information or use of it (including liability resulting from negligence or where the Group was aware of the possibility of such loss or damage arising) is excluded. This will not operate to limit or restrict the Group's liability for death or personal injury resulting from its negligence. Multicomp Pro is the registered trademark of Premier Farnell Limited 2019.

Newark.com/multicomp-pro
 Farnell.com/multicomp-pro
 sg.element14.com/b/multicomp-pro