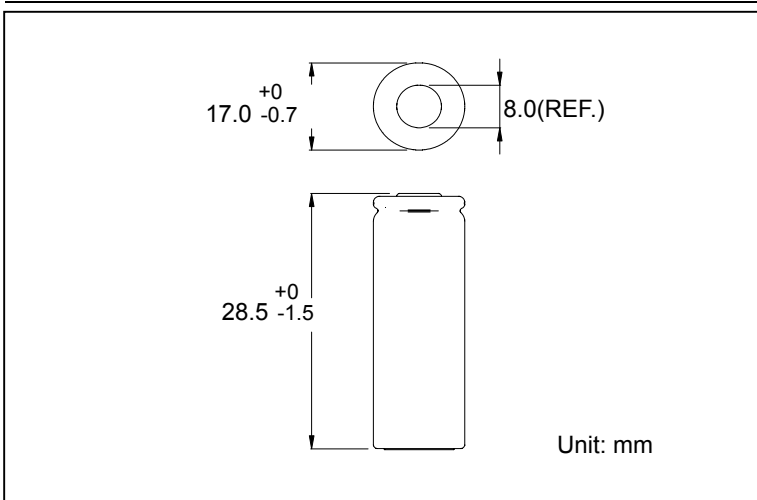


GP Batteries

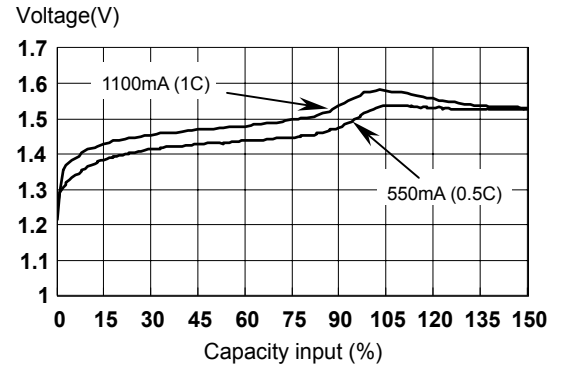
Data Sheet

Model No.: GP110AFH

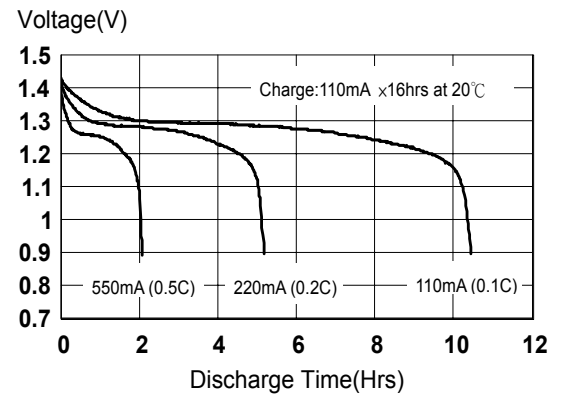
Type	: Rechargeable Nickel Metal Hydride Cylindrical Cell
Nominal Dimension (with Sleeve)	: $\Phi=17.0\text{mm}$ H=28.5mm
Applications	: Recommended discharge current 110 to 3300mA
Nominal Voltage	: 1.2V
Capacity	: Nominal: 1100mAh Minimum: 1100mAh Typical: 1133mAh When discharge at 220mA to 1.0V at 20°C
Charging condition	: 110mA for 16hrs at 20°C
Fast Charge	: 550mA to 1100mA(0.5C to 1C) with charge termination control Recommended control parameters: - ΔV : 0-5mV Timer : 105% nominal input
Service Life	: >500 cycles (IEC61951-2)
Continuous Overcharge	: 110mA maximum current for 1 year No conspicuous deformation and/or leakage
Weight	: 21.0g
Internal Resistance	: Average 22m Ω upon fully charged (Range 17-27m Ω) at 1000Hz
Max. charging Voltage	: 1.5V at 110mA charging
Ambient Temperature Range	: Standard charging : 0 to 45°C Fast Charging : 10 to 45°C Discharging : -20 to 50°C Storage : -20 to 35°C Storage (1week) : -20 to 60°C



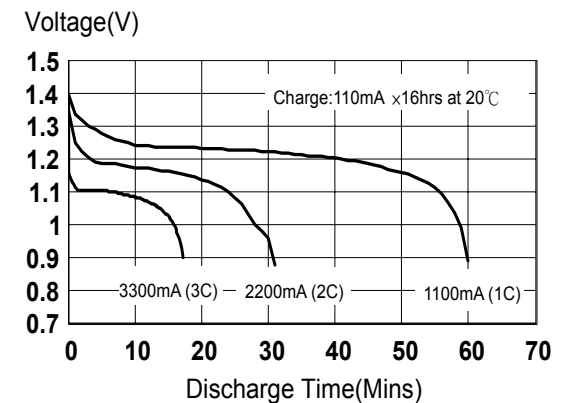
Fast Charge (charge control required)



Low Rate Discharge



High Rate Discharge



* The information (subject to change without prior notice) contained in this document is for reference only and should not be used as a basis for product guarantee or warranty. For applications other than those described here, please consult your nearest GP Sales and Marketing Office or Distributors.

