

<h1>SPECIFICATIONS</h1>

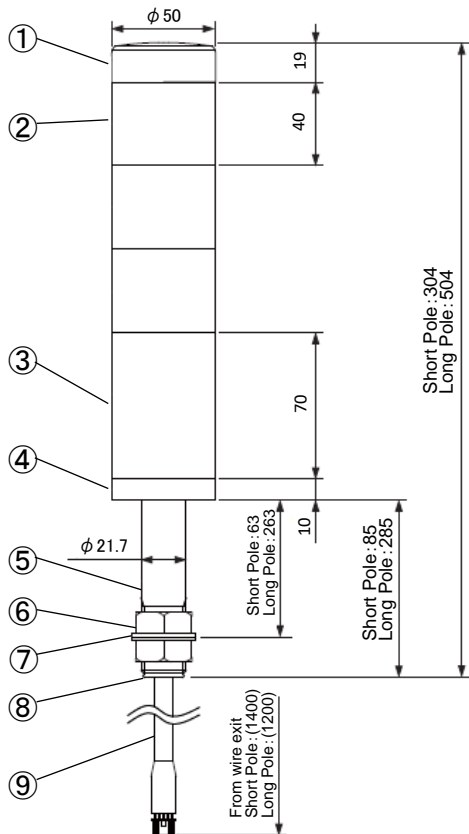
[General Specifications]

Product Name		Manual Control Signal Tower			
Model		HSST-3M2N-RYG+FB278			
Rated Voltage		AC Adaptor input : 100~240VAC (50/60Hz) Output : 24VDC			
Operating Voltage Range		Rated Voltage $\pm 10\%$			
Rated Power Consumption	Max.	When all 3 tiers are on			
		4W			
Operating Ambient Temperature		0°C ~ +40°C			
Operating Ambient Humidity		Less than 90% RH (No condensation)			
Mounting Location		Indoor Only			
Mounting Direction		Upright			
Protection Rating		Switch Box : IP20 (IEC 60529)			
		Signal Tower : IP54 (IEC 60529)			
Environmental Condition		Upright			
Insulation Resistance		5M Ω or more at 500VDC between the power input lead and chassis			
Withstand Voltage		1500VAC applied for 1min between live part and non-current carrying metallic part without breaking insulation			
Mass (Tolerance $\pm 10\%$)		Signal Tower (Short Pole)		0.36kg	
		Signal Tower (Long Pole)		0.47kg	
		Bracket		0.33kg	
		Switch Box		0.07kg	
		AC Adaptor		0.13kg	
		AC Plug		UL	0.01kg
				CCC	0.01kg
				VDE	0.02kg
KC	0.02kg				
UK	0.02kg				
Fitting Plate, Tightening Screw		0.05kg			
Outer Dimensions		Refer to the 2. Outer Dimension Drawing			
Conformity Standards	RoHS Directive	RoHS Directive (EN IEC 63000)			
	FCC	FCC Part 15 SubpartB Class A			
	UL	UL 48, CSA C22.2 NO.207			
	EMC Directive	EN61000-6-4, EN61000-6-2 EN61000-3-2, EN61000-3-3			
Remarks		UL Listed (File No.E310210)			
		Due to the characteristics of the LED elements, a variation in difference of the color tone and brightness of every product may occur			

[2.Outer Dimension Drawing]

(Unit: mm)

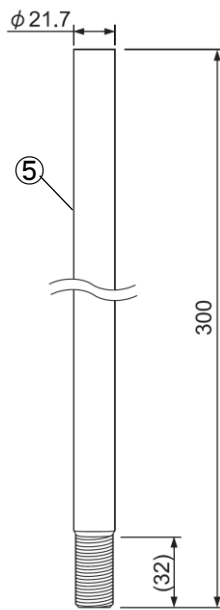
● Signal Tower



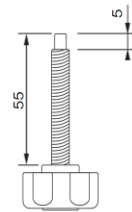
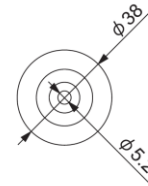
• Cable: UL2464(φ5.2)

Number	Name	Material	UL Flammability
1	Head Cover	PC	V-2
2	Globe	PC	V-2
3	Body	PC	V-2
4	Pole Bracket	PC	V-1
5	Pole (Short/Long)	AL	-
6	Hex Nut	SUM	-
7	Washer	SUM	-
8	Rubber Bushing	EPR	-
9	Cable	PVC	-

● Long Pole



● Fitting Plate

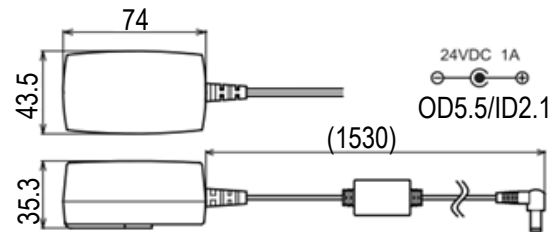


Accessory

Tapping Screw
3X18
2 pcs.

Double-sided Tape
t=2.0
60x60
1 pc.

● AC Adaptor

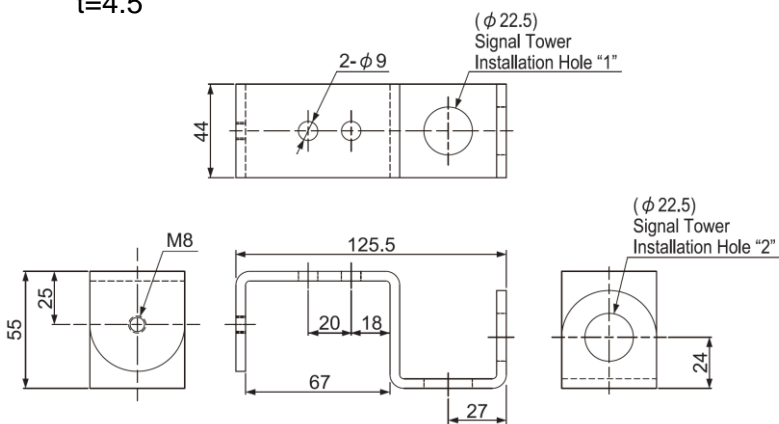


Accessories (AC Plug)

UL CCC VDE KC UK

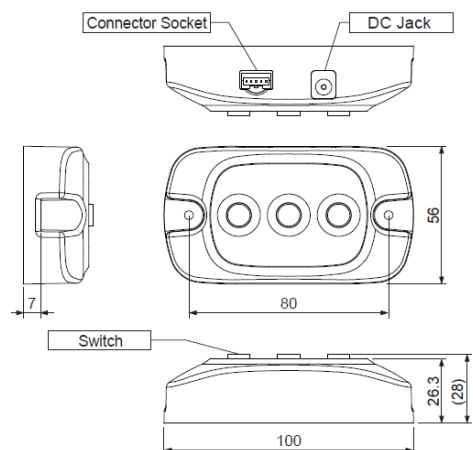
● Bracket

t=4.5



Name	Material
Bracket	SPHC-P

● Switch Box

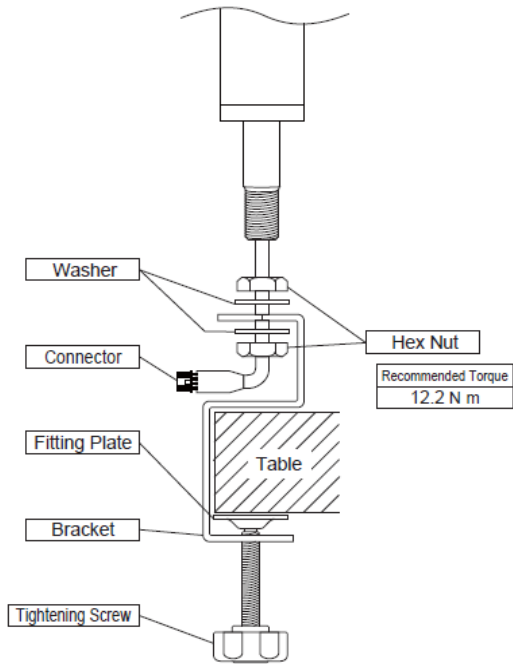


Name	Material	UL Flammability
Case (Switch Box)	PC	V-2

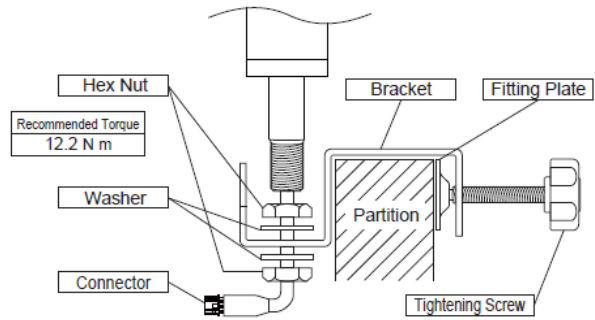
[3.Mounting]

3.1 Product Installation

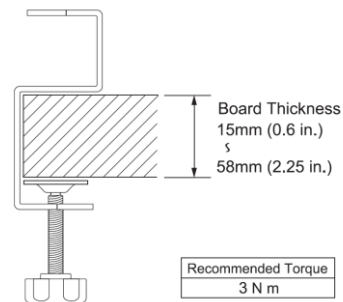
3.1.1 Table Installation



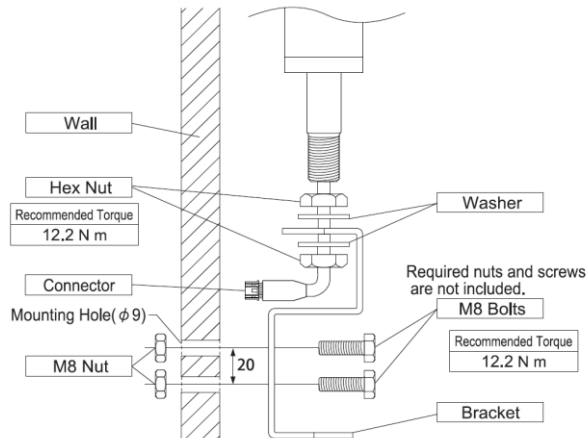
3.1.2 Partition Installation



※Allowable Board Thickness (For installation):



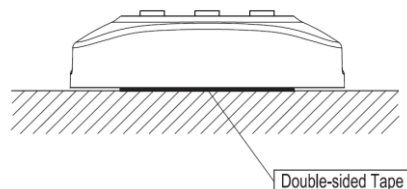
3.1.3 Wall-mount Installation



3.2 Switch Box Installation

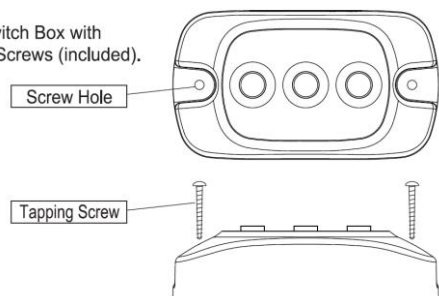
3.2.1 Double-sided Tape Installation

Install the Switch Box by cutting and pasting the Double-sided Tape (included).



3.2.2 Tapping-screw Installation

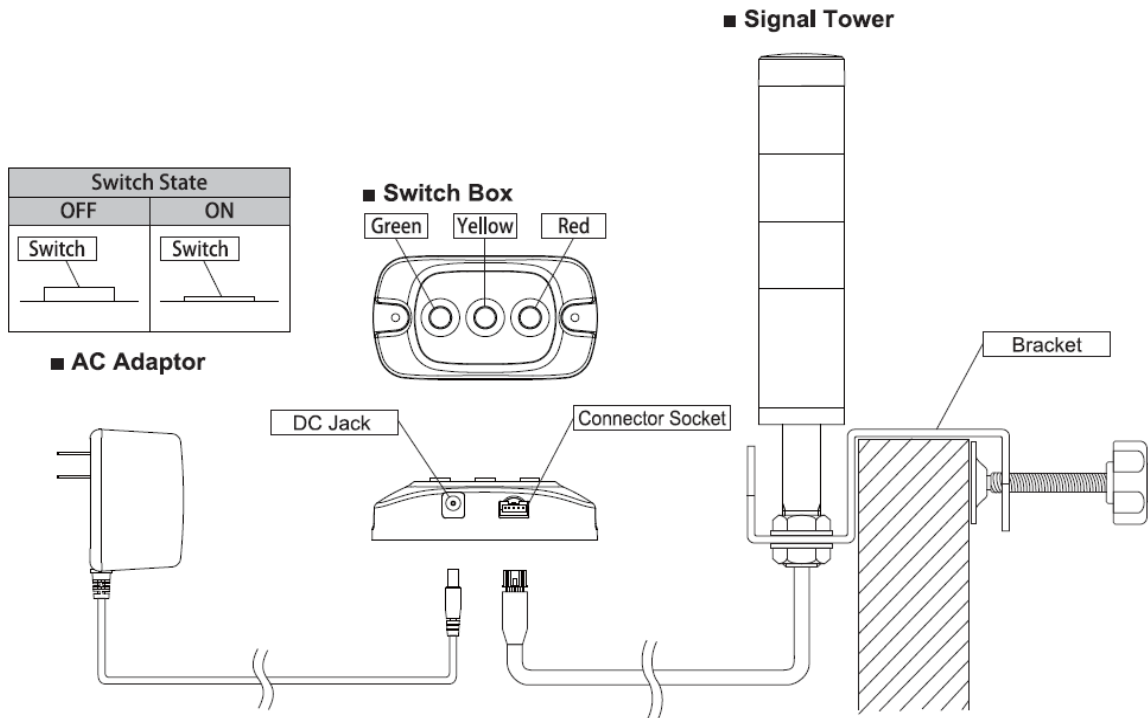
Install the Switch Box with the Tapping Screws (included).



[4. Wiring/Operation]

4.1 Wiring and Operation

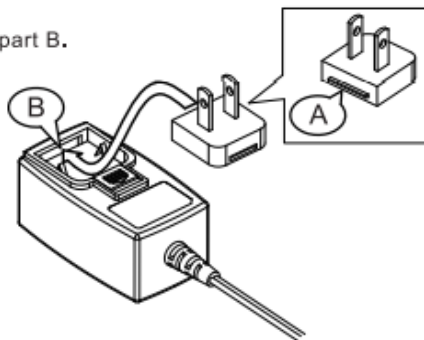
- After connecting the connector cable of this product into the connector socket located on the side of the Switch Box, then plugging the DC Jack into the DC Plug, insert the AC Adaptor into an AC (Range from 100VAC to 240VAC) outlet. Each time the switch is pressed, the corresponding Signal Tower LED Unit switches alternately between lit and unlit modes.



AC Adaptor

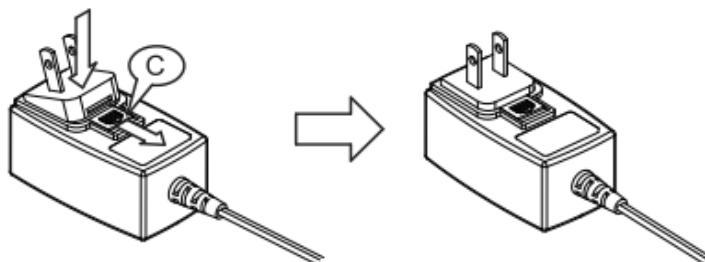
STEP1:

Insert part A into part B.



STEP2:

Be sure to push in the AC plug from the top, while pulling section C downward.



STEP3:

Insert the DC jack into the product to be powered.

STEP4:

Insert the AC plug portion into the appropriate outlet to supply power to the product.